

POTTERY BARN

Wooden CT Hooks

Mounting instructions

Tools: Level, Philips Screwdriver, Stud-Finder

Hardware: TWO Anchors; TWO Screws

The hardware included with this item is meant for drywall or stud mounting only. If your walls are made from concrete, brick or plaster, please consult your local hardware store for assistance in selecting the appropriate hardware.

This item includes two mounting through-holes, which are used to receive screws for mounting the item to the wall.

Max.Load – Maximum total weight capacity for the product is 20 pounds (9.08 kg), 5 pounds (2.27 kg) Maximum per hook, 4 in total.

Mounting Instructions:

1) Hold the item upright and level against a wall at the desired mounting location. Use one of the provided screws to mark the wall through each through-hole and then set the item aside.

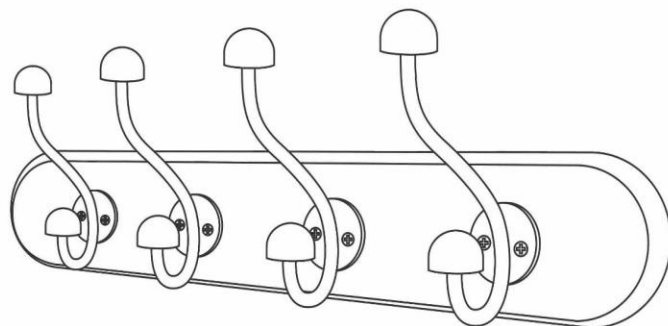
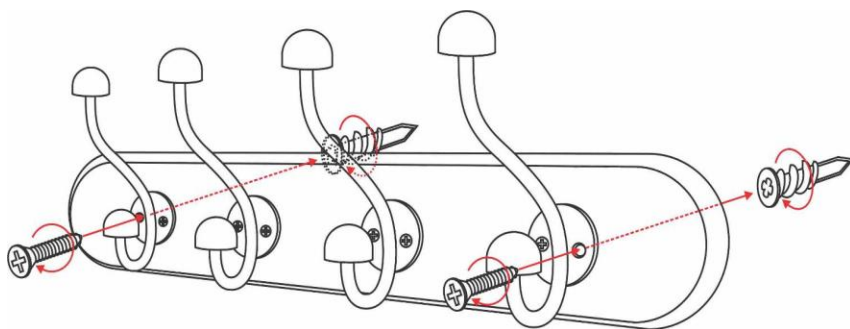
2) If either of the two marks of Step (1) aligns with a wall stud (use a stud-finder to determine this), use a screwdriver to secure a screw at this mark directly into the wall and stud when instructed to do so below. Do not use a provided anchor at this stud location because the anchor cannot penetrate wood.

3) For each mark that does not align with a stud, use a Phillips screwdriver to install an anchor into the wall. To do this, position the tip of the anchor against the wall at the mark and then firmly push the anchor into the wall as you rotate it clockwise. The anchor is designed to drive itself into the wall as it is rotated. Continue rotating the anchor until the wide end becomes even with the surface of the wall.

4) With the help of another person, hold the item upright and against the wall so that the two through holes align with either a stud-aligned mark or an installed anchor. Use a screwdriver to secure a provided screw through each through hole and into the wall or an installed anchor. Rotate the screw clockwise until tight.

5) Installation complete!

Care Instructions: To clean: Wipe with a soft, dry cloth.



Do not use any abrasive or strong-chemical household cleaners.

Thank you for your purchase
Stores | catalog | www.potterybarn.com