

# P O T T E R Y B A R N

## Wall-Mounted Medallion Panel Array Mounting instructions

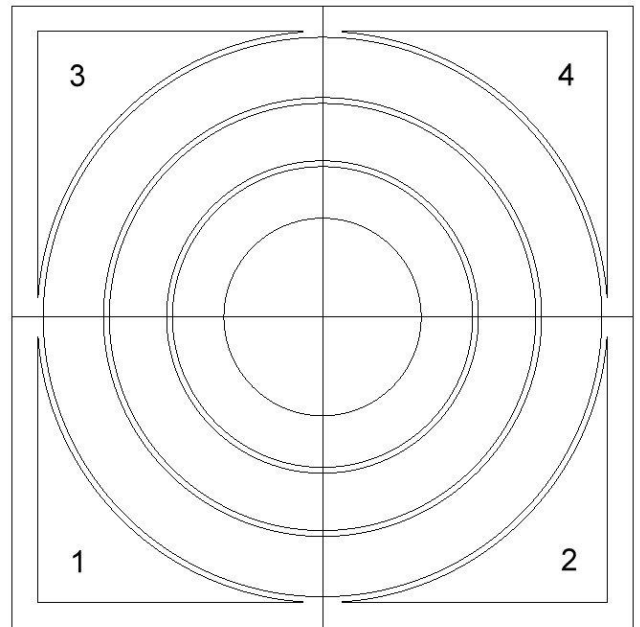
**Tools Needed:** Pencil, Phillips Screwdriver  
Stud Finder, Level, Tape-Measure

The hardware included with this item is meant for drywall or stud mounting only. If your walls are made from concrete, brick or plaster, please consult your local hardware store for assistance in selecting the appropriate hardware.

**Hardware Included:** (8) Anchors, (8) Screws

**Parts Included:** (4) Square Panels

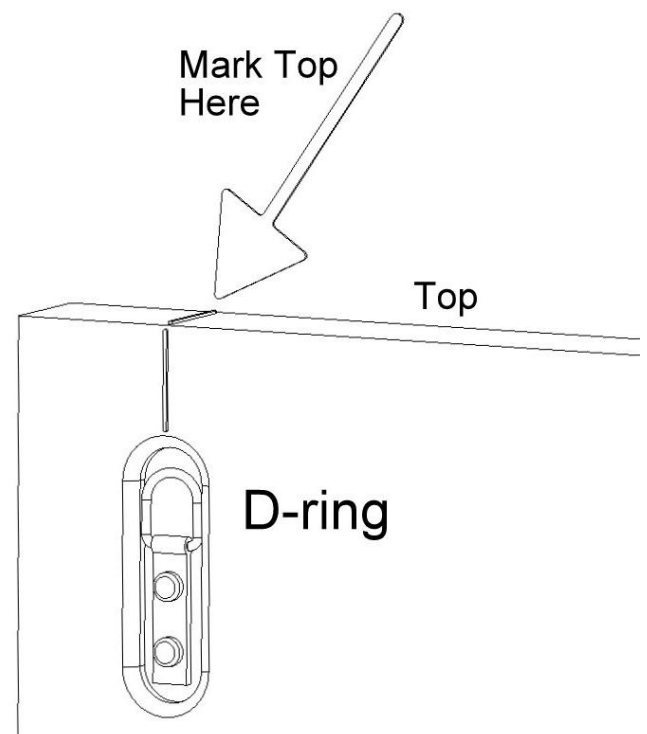
This item is made up of four large hand-carved panels that are about 32 inches square. Each panel includes two D-rings that are used to mount it to a wall. Since each panel is hand carved, the exact size of each one may vary a bit which may cause some alignment challenges during installation. The four panels are meant to be hung in an obvious square arrangement so that a singular large circular floral design is conveyed across all four panels. Each panel may be spaced a set distance from each other, or mounted in near contact with adjacent panels, as desired. The below instructions assume that each panel will be hung in near contact with adjacent panels. Hardware is provided to hang each panel using the provided D-rings. The hardware is designed to penetrate either drywall (use both the anchors and screws) or wood and wood studs (use just the screws). The panels are illustratively shown without much carving detail for reasons of clarity.



### Mounting Instructions:

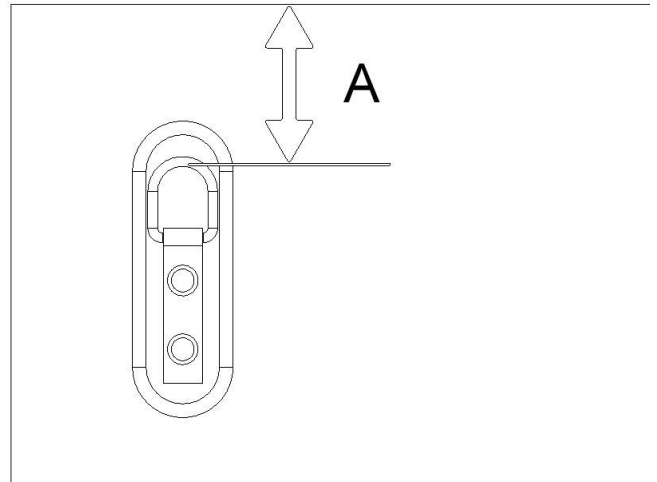
We strongly recommend that you hang the panels in the order shown in the figure to the right.

- 1) Use a pencil to lightly mark each panel with a number (1, 2, 3, and 4) following the illustration. Identify each panel using the carved design and the two D-rings on the rear surface. Remember that the D-rings for each panel are always at the top.
- 2) Holding Panel # 1 upright use a pencil to mark the top edge of the panel with a "D-ring mark" that aligns with the center of each D-ring. You can also use a piece of masking tape instead of the pencil mark. Then use a tape measure and measure the distance between the center of each D-ring and the nearest side edge. Use this measurement to confirm that the



pencil mark you made on the top edge does align with the D-ring. Repeat this step with the other panels so that each panel has two pencil marks on the top edge which align with that panel's D-rings.

- 3) Use a tape measure to measure the distance (A) between the top of either D-ring and the top edge of each panel. Mark the distance on the back of each panel so you don't forget it. You will use this distance below. Unfortunately, again owing to the hand-crafty nature of this product, this distance (A) may not be consistent on all four panels.



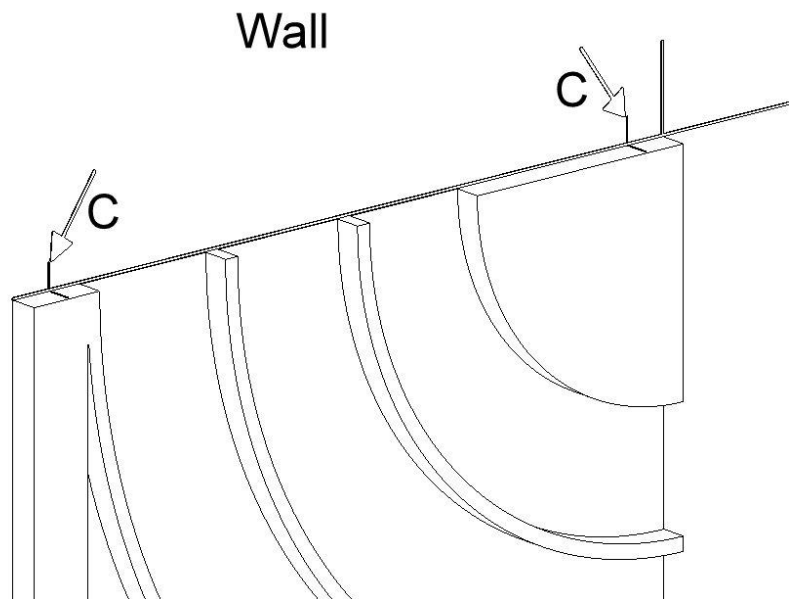
- 4) Determine an appropriate mounting location for the full array (shown below), which is about 64 inches square. Use a pencil to make a horizontal line on the wall that intersects the array at the midpoint. The horizontal line will be used as a guide to hang the panels with the upper panels 3, 4 being mounted above the horizontal line and the lower panels 1, 2 being mounted below the horizontal line. The horizontal line should be about 64 inches long.

- 5) Use a tape measure and a pencil to find and mark the midpoint of the line of Step (4).



### Mounting Panel #1:

- 6) With the help of another person, hold panel # 1 against the wall so that the top edge aligns with the horizontal line of Step 5 and along the LEFT side. The RIGHT side of the panel should align with the midpoint line shown in Step (5). Holding the panel steady, use a pencil to transcribe the "D-ring marks" (located on the top edge of the panel) to the wall, as shown by the arrows (C) in the adjacent figure. Set the panel aside.



7) Use a pencil, the tape measure and Distance (A) of Step (3) to make a “lower mark” below the transcribed wall marks of Step (6) so that the lower marks are located below the horizontal line a distance equal to Distance (A). These “lower marks” are the location of the hardware to hang the first panel.

8) The provided anchors cannot penetrate wood studs. Therefore we have to find out if either mark of Step (7) happens to align with a wall stud (use a stud-finder to determine this). If a mark does align, use a screwdriver to secure only a provided screw at this location – do not use an anchor. Rotate the screw clockwise until the screw head resides about 3/8 inch from the wall.

9) For marks that do not align with a stud, use the screwdriver to install an anchor into the wall at each mark. Engage the head of the anchor with the screwdriver and position the anchor’s tip at one of the marks. Rotate the anchor clockwise while pushing it firmly into the wall. The anchor will automatically drive itself into the wall. Continue rotating until the end of the anchor becomes even with the wall surface. Do not over-tighten.

10) Use the screwdriver to secure a screw into each installed anchor of Step (9). Rotate the screw clockwise until the screw head resides about 3/8 inch from the wall.

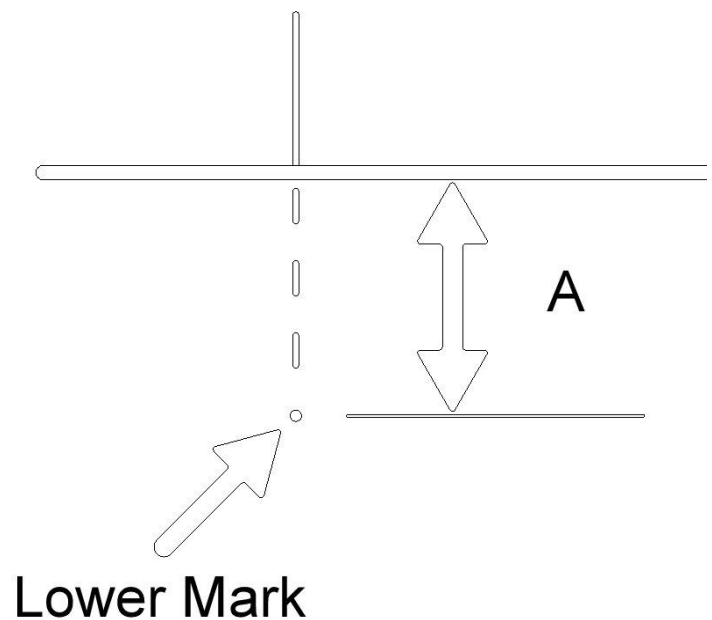
11) Perhaps with the help of another person, raise the panel against the wall so that the D-rings align and engage with the protruding screw heads. Lower the panel so the screws support the weight of the panel.

### Mounting Panel #2:

12) Repeat Steps (6) through (11) using Panel #2 wherein the top edge of the panel now aligns with the horizontal line on the RIGHT and so that the LEFT side of the panel aligns with the midpoint line shown in Step (5).

### Mounting Panel #3:

13) Continue the installation by resting the bottom edge of panel # 3 on the top edge of the mounted panel #1. Adjust the panel #3 so that it aligns with the lower panel #1 and then use a pencil to transcribe the “D-ring marks” (located on the top edge of the panel) to the wall. Set the panel #3 aside. Continue following the above Steps 7 through 11, but in Step (7), we recommend that the ‘lower marks’ be raised about 1/4 inch on the wall before installing the hardware. This will prevent the upper panel #3 from contacting the lower panel #1 when mounted.



**Mounting Panel #4:**

- 14) Follow Step 13.
- 15) When mounting the four panels, always mount the lower two first and then the upper two.

Installation is complete - go take a break - you deserve it!

**DO NOT USE OR ATTACH WIRE  
FOR HANGING, IT IS MEANT  
TO HANG FROM THE AFFIXED  
D-RINGS ON THE BACK**

**Care and Instructions:**

Wipe with soft, dry cloth.

Do not use strong abrasive or chemical cleaners.

Thank you for your purchase!