

P O T T E R Y B A R N

Hayden Shelf Mounting and Assembly Instructions

Hardware (Included):

TWO Screws
TWO Anchors
ONE Allen wrench

The hardware included with this item is meant for drywall or stud mounting only. If your walls are made from concrete, brick or plaster, please consult your local hardware store for assistance in selecting the appropriate hardware.

Tools Required:

Phillips Screwdriver, Pencil, Stud Finder, Level

Parts Included:

TWO Mounting plates	(Used to attach the mounting brackets to the wall)
TWO Mounting Brackets	(Used to support the glass shelf)
TWO Hex screws	(Used to secure the mounting brackets to the mounting plates)
ONE Glass Shelf	
TWO Shelf Screws	(Used to attach the glass to the mounting brackets)

Mounting and Assembly Instructions:

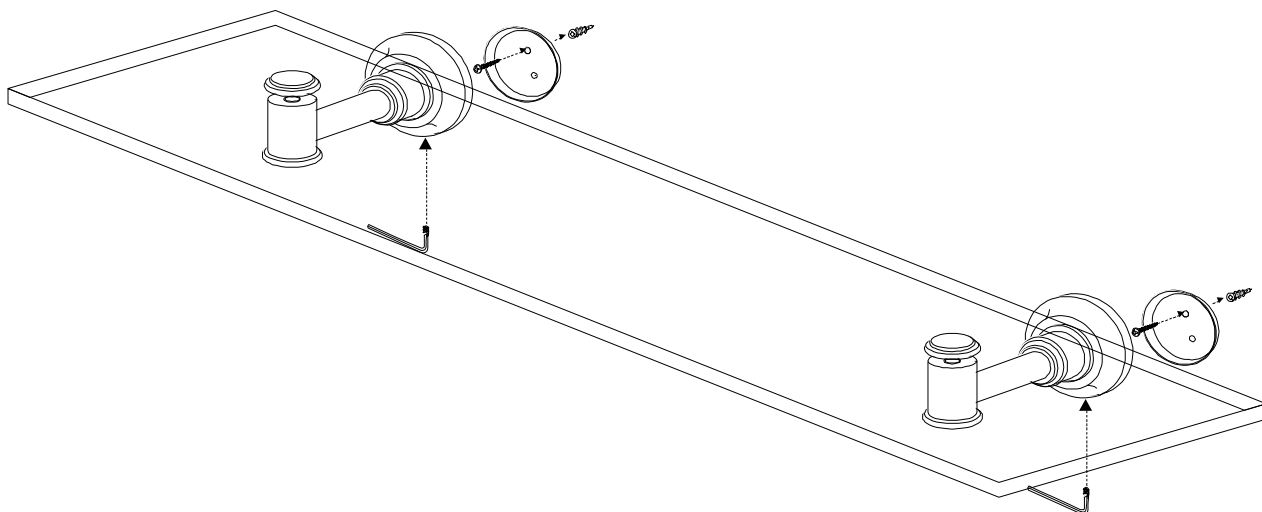
1. Assemble the components together by first attaching each bracket to the glass shelf. Align each hole of the glass plate with the threaded hole of each bracket. Align the brackets rearwardly, as shown in the illustration below and then insert a shelf screw into each shelf hole and rotate clockwise using your fingers until tight. It may be helpful to wiggle the bracket as you rotate the shelf screw.
2. You will notice that each mounting plate is shaped like a small cup and includes a sharp point on one side and a hole. Position a mounting plate into the large recess of the bracket so that the sharp point faces away from the glass shelf and down (exactly at the 6 o'clock position). Use the provided Allen wrench to tighten the small set screw located at the bottom of the mounting bracket to secure the mounting plate firmly within the recess. Repeat this step with the other mounting plate and bracket.
3. Hold the shelf upright and against the wall at a desired mounting location so that the two mounting plates are facing the wall (do not let the shelf touch the wall yet). Have another person use a level to make sure that the shelf is level and then firmly press the mounting brackets against the wall so that the two sharp projections of the mounting plates penetrates the soft drywall and leaves two detent marks. Set the shelf aside and then use the level to make sure that the marks are level and correct them if necessary.
4. Use the Allen wrench to remove each mounting plate. Hold one of the mounting plates against the wall so that the sharp projection fits within each marked detent and the hole of the plate resides at the 12 o'clock position. Use a pencil to mark the wall through the hole of the plate. Repeat this step with the other detent mark. The resulting two pencil marks are the locations for the hanging hardware.
5. The provided anchors cannot penetrate wood studs so we recommend that you use a stud-finder to determine if either pencil mark of Step (4) aligns with a wall stud. If so, hold one of the mounting plates against the wall so that the hole of the plate aligns with the pencil mark and the sharp projection of the plate is received into the detent mark formed in the wall and then use the screwdriver to install only a screw through the hole and directly into the wall and stud. Rotate the screw clockwise until the mounting plate is firmly secured to the wall.

6. For pencil marks that do not align with a stud, use a Phillips screwdriver to install the provided anchor into the wall at the mark. The anchor protects the drywall and is meant to receive the screw after it is installed. Align the tip of the anchor at the mark and then use a screwdriver to push the anchor into the wall as you rotate it clockwise. The anchor will drive itself into the wall like a screw. Continue rotating until the wide end of the anchor becomes even with the wall.
7. Hold one of the mounting plates against the wall so that the hole aligns with the mark and the sharp projection of the plate is received into the detent mark formed in the wall and then use the screwdriver to install a screw through the hole of the mounting plate and into the aligned and installed anchor. Rotate the screw clockwise until the mounting plate is firmly secured to the wall. Repeat this step with the other mounting plate and anchor.
8. Return the assembled shelf to the wall so that the large recesses of the mounting brackets align with and are received by the wall-mounted mounting plates. Hold the shelf firmly against the wall while you tighten the set screws using the Allen wrench. Rotate each set screw clockwise until tight.

Care Instructions:

Wipe with a soft, dry cloth.

To protect the finish, do not use household cleaners or abrasives.



Thank you for your purchase!