

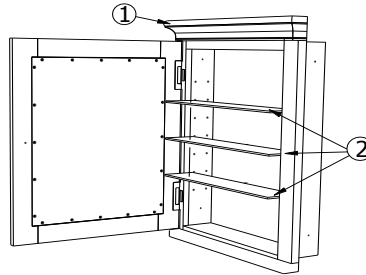
POTTERY BARN

Mason Medicine Cabinet – Recessed Assembly Instructions

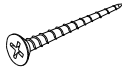
- Please read all instructions before beginning assembly.
- For your safety and convenience, assembly by two people is recommended.
- Use the parts and hardware lists to identify and separate each of the components included.
- Save all packing materials until assembly is complete to avoid the accidental discarding of smaller parts or hardware

PARTS:

- 1 – Cabinet – (1 x)
- 2 – Glass Shelf (3 x)



HARDWARE:

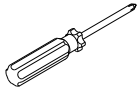


A – Screw (Dia.1/8” x 2”) - (4 x)



B – Shelf pin - (12x)

TOOLS NEEDED: (not included)



Phillips screwdriver

ASSEMBLY INSTRUCTIONS:

1. Hanging Cabinet “1” on the right place, attach Cabinet “1” to the wall using Screw (A) with Philips screwdriver. (See Fig.1)

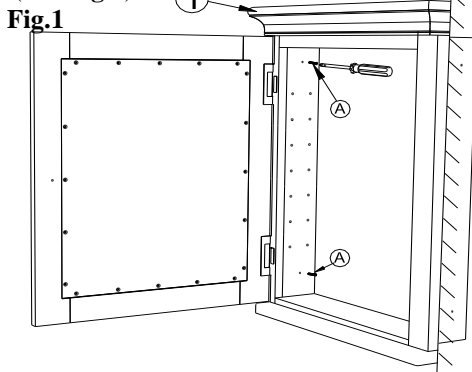
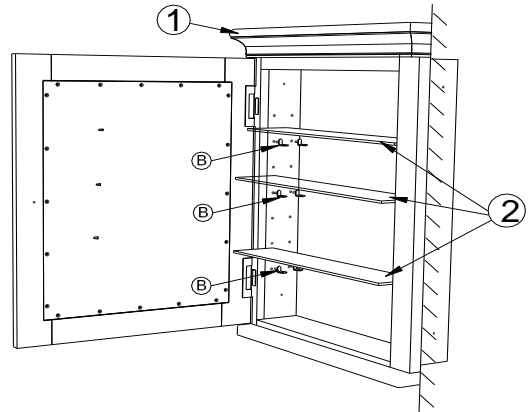
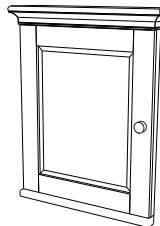


Fig.2



2. Determine the desired height of the Glass Shelf “2”, put two Shelf Pins (B) in the pre-drilled holes on one side, then put another two Shelf pins in the same height on the other side, finally put Glass Shelf “2” on shelf pins, use the same way to assemble remaining Glass shelves “2”. (See Fig.2)
3. Assembly is complete. (See Fig.3)

Fig.3



Care Instructions:

- Dust with a clean, soft damp cloth and wipe dry immediately.
- Avoid the use of chemicals and harsh cleaning agents.

thank you for your purchase
stores | catalog | www.potterybarn.com