

P O T T E R Y B A R N

Natalie Bench

Important Safety Instructions:

- For your safety, assembly by two people is recommended.

Parts Included:

- (1) Slipcovered bench
- (4) Legs

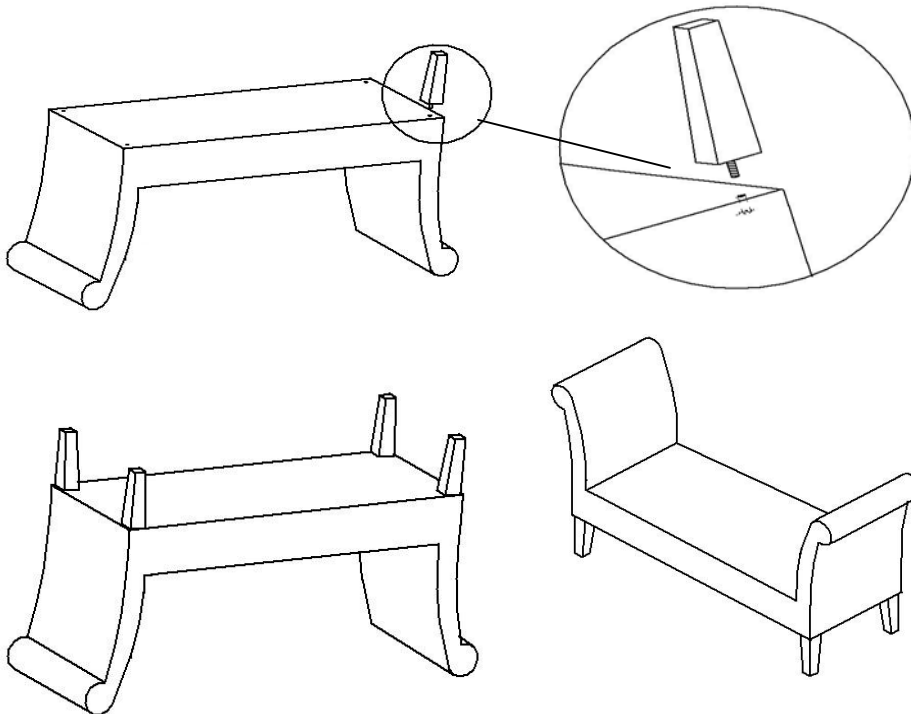
Pre-Assembly:

- Remove the bench and the box containing the legs. Remove the legs and lay them out on a clear workplace. The illustrations provided allow for easier assembly when used in conjunction with the assembly instructions.

Assembly Instructions:

1. Carefully lay the bench upside down so that you are looking at the bottom of the bench. Align (1) leg bolt with one of the holes located in each corner of the bench. Insert the leg bolt into the hole. Applying slight pressure, rotate the leg clockwise to screw the bolt into the hole. **DO NOT OVERTIGHTEN THE BOLT.**
2. Repeat this step for the remaining legs. Tighten each leg so that the corner of the leg lines up with the corner of the bench.
3. Rotate the bench upright. Check the bench to ensure it is stable and that all legs are secure. Assembly is complete.

Note: DO NOT STAND ON THE BENCH.



thank you for your purchase

stores | catalog | www.potterybarn.com