

# POTTERY BARN

stinson recessed cabinet

**Professional installation is strongly recommended.**

**Pre-Assembly:**

Please read all instructions carefully before beginning assembly.  
For your safety, assembly by two people is recommended.

Hardware enclosed:

- (8+2 extra) Shelf pegs (a)

Parts enclosed:

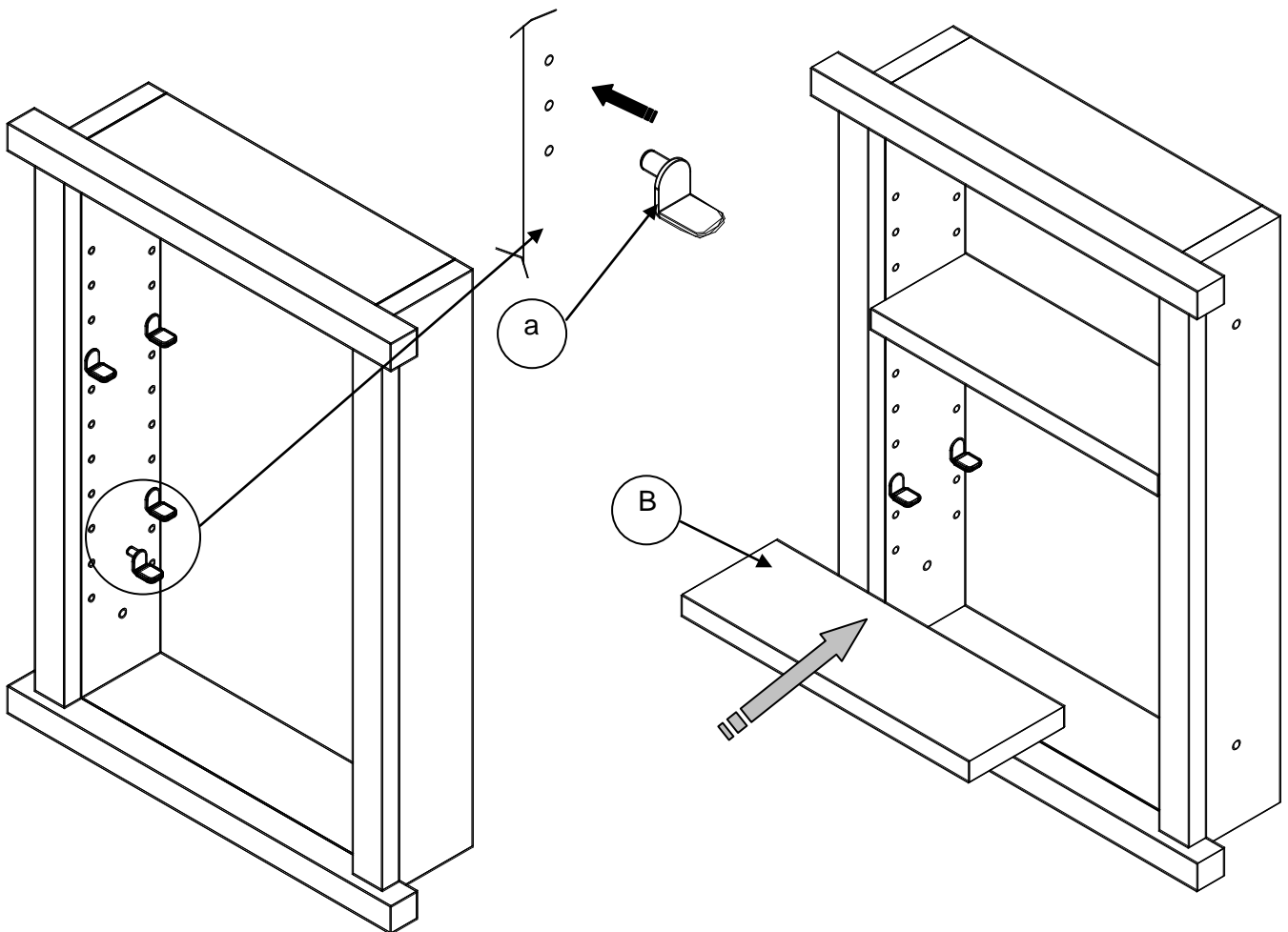
- (2) Shelves (B)

**Assembly instruction:**

1. Determine the desired height for each shelf. Insert the shelf pegs (a) into the pre-drilled holes as shown (Fig.1).
2. Carefully insert the shelves (B) into the cabinet and gently rest the shelves onto the pegs as shown (Fig.2).
3. Assembly is complete.

Figure.1

Figure.2



**Care Instruction:**

- Use a soft dry or slightly damp cloth to clean daily.
- Wipe up spills immediately.
- To protect the finish, avoid the use of chemical and abrasive cleaners.

thank you for your purchase