

P O T T E R Y B A R N

storage mirror

Note: If walls are concrete, brick or plaster, please consult your local hardware store for assistance. For safety and ease of mounting, installation is recommended using two people.

Tools needed:

- Electronic stud finder, #2 Phillips screwdriver, Drill with #2 Phillips bit, Pencil

Hardware Included:

- (2) Stud Mounting Screws (1.5" screws with sharp tip)
- (2) Toggle Anchors
- (2) Toggle Screws

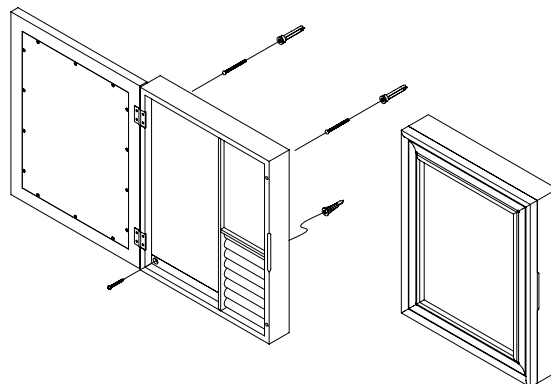
(Note: Toggle anchors and toggle screws are meant for dry wall only)

- (1) Tie-down Screw
- (1) Mini Anchor



Mounting Instructions:

1. Determine the desired placement on the wall for the product. Stud Mounting: Within the desired mounting location, locate the wall studs using the electronic stud finder and mark stud locations using the pencil.
 2. With the pencil, mark the three mounting screw hole locations on the wall with the pencil. Install stud mounting screws into wall and mini-anchor (if the bottom hole falls in area that is not a stud.)
 3. Align the keyholes on back over screw heads and slide fixture down until the tops of the holes rest on the screws. Tighten or loosen screws as needed to fit the fixture snugly against the wall.
 4. Open door of storage mirror. Install tie-down screw through pre-drilled hole.
-
1. Dry Wall Mounting: Use the #2 Phillips screwdriver to install the toggle anchor(s).
IMPORTANT NOTE: DO NOT USE THE DRILL TO INSTALL THE TOGGLE ANCHORS. Also do not force or "pound" the anchor into the wall. The toggle anchor is designed to cleanly cut and bore itself into the wall somewhat like a drill bit.
 2. Slowly turn the anchor clockwise while applying even pressure until the flange just touches the wall. If the anchor position is close to a stud (1/2" or less), keep turning clockwise until one of the arrows on the flange is pointing to the 12 o'clock position.
 3. Insert the toggle screw into the toggle anchor turning clockwise. At this point, you will feel a slight resistance. This is the point where the toggle anchor screw is engaging the pivoting portion of the anchor. Continue turning the screw clockwise until the screw head touches the flange. Tighten the toggle anchor screw until it becomes difficult to turn. At this point the internal pivot will have engaged the backside of the dry wall. Install mini-anchor into wall where bottom pre-drilled hole is located.
 4. Align the keyholes on back over screw heads and slide fixture down until the tops of the holes rest on the screws. Tighten or loosen screws as needed to fit the fixture snugly against the wall.
 5. Open door of storage mirror. Install tie-down screw through pre-drilled hole and into mini-anchor.



thank you for your purchase
stores | catalog | www.potterybarn.com