

P O T T E R Y B A R N Benchwright Bench - Assembly Instructions

Pre-Assembly:

Please read all instructions carefully and completely before assembly.

Remove all parts and hardware from box along with any plastic protective packaging. Do not discard any contents until after assembly is complete to avoid accidentally discarding small parts or hardware.

For your convenience and ease, assembly by two people is strongly recommended.

Parts Included:

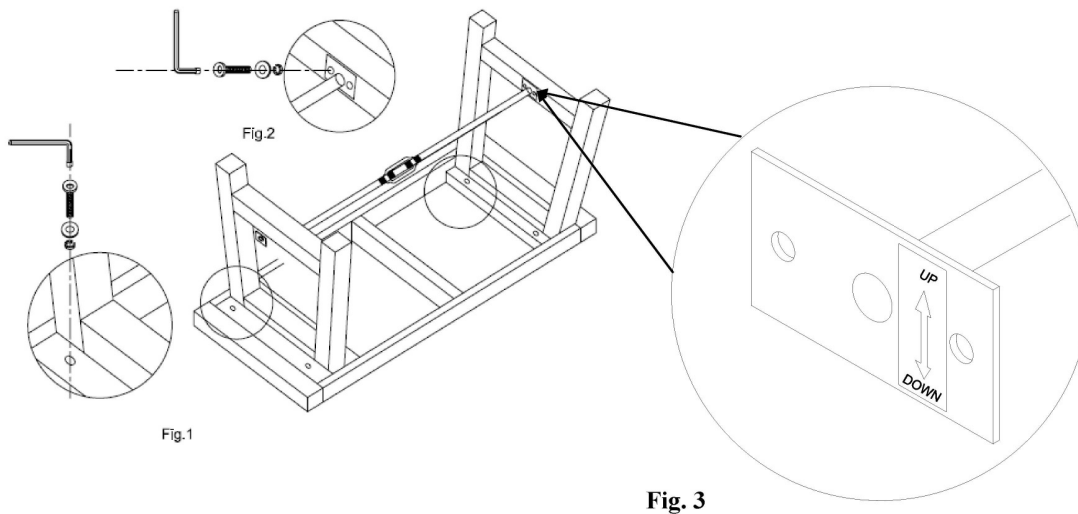
- (8) Long Bolts(5/16"x 1-1/2")
- (1) Tabletop
 - (4) Short Bolts(5/16"x 3/4")
- (2) Legs
 - (12) Lock Washers(5/16")
- (1) Metal Stretchers
 - (12) Flat Washers(5/16")

Hardware Included:

- (1) Allen Wrench(5/16")

Assembly Instructions:

- 1 Carefully lay tabletop upside down on a carpeted or scratch-free surface.
- 2 Place the leg on the underside of tabletop and make sure that the holes on the top of leg are aligned with the holes on the tabletop. Add lock washers and flat washers into the long bolts and insert the long bolts with washers into the holes. Tighten with Allen Wrench. Repeat with the other leg. (Fig.1)
- 3 Position the metal stretcher between two Legs, Make sure to follow "UP", "DOWN" label orientation.(Fig.2) Slide the short bolt with spring washer and flat washer through the metal stretcher into the predrilled hole on the Leg Assembly . (Fig. 3). Tighten with Allen Wrench
- 4 Check to ensure the hardware is properly locked before turning the table. Grip the table firmly at each end and turn upright.
- 5 Assembly is complete.



Care Instructions:

- This item is intended for indoor use only. To clean, use a damp cloth; wipe spills immediately.
- Avoid the use of cleaners or abrasives as they may damage finish.
- The use of trivets and coasters is recommended to protect the table top. •

Thank you for your purchase stores | catalog | www.potterybarn.com