

P O T T E R Y B A R N

Floor Mirror with Clothing Rack

Assembly & Mounting Instructions

Component Included:

- A. (1) Mirror
- B. (1) Upper Shelf (with brackets)
- C. (1) Lower Shelf (with brackets)
- D. (1) Supporting Rod

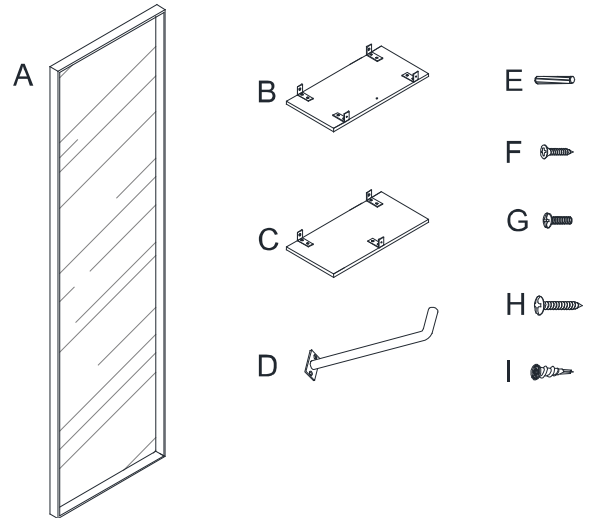
Hardware for Assembly:

- E. (4) Dowel
- F. (6) Wood Screw
- G. (1) Bolt

Hardware for Mounting:

- H. (3) Mounting Screw
- I. (3) Drywall Anchor

The hardware (H/ I) is meant for drywall or stud construction only. For other wall types, please consult your local hardware store for assistance in selecting the appropriate hardware.



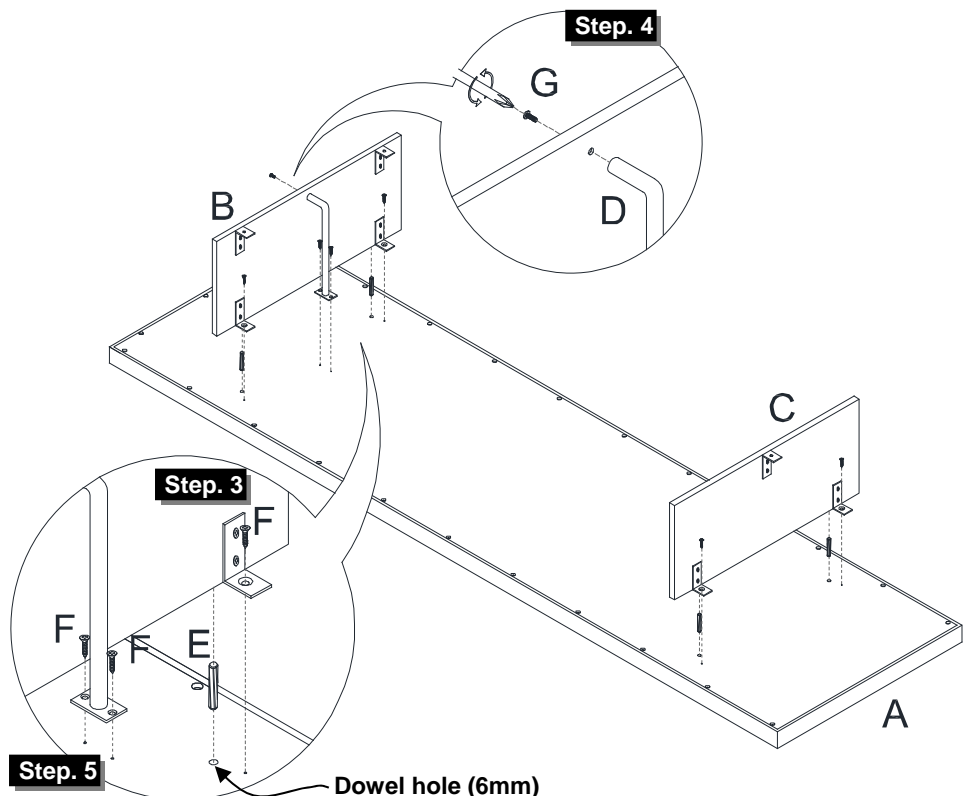
TOOLS REQUIRED: Phillips Screwdriver, Pencil, Level, Stud Finder.

Pre-assembly:

- Please read all instructions carefully before getting started.
- Remove all parts and hardware from carton box and lay them out on a clear workspace.
- Do not discard any contents until after assembly / installation is completed to avoid accidentally discarding small parts or hardware.
- As this item is quite big and heavy, two people are required for the assembly and mounting.
- The use of power tools to aid in assembly is not recommended.
- The illustrations provided allow for easier assembly when used in conjunction with the assembly instructions.

ASSEMBLY INSTRUCTIONS:

1. Place Mirror (A) face down on a flat, protected surface as shown, insert a Dowel (E) into each of the four dowel holes at the back of mirror.
2. Position each Upper Shelf (B) and Lower Shelf (C) at its location and aligning with the dowels. *Note that the Upper shelf includes one more hole in the middle that is to assemble with Supporting Rod (D).* Make sure that the brackets on the shelves are all facing to the bottom of the mirror.
3. Secure the brackets of each shelf to the back of mirror using provided Wood Screws (F) and fasten with a Phillips screwdriver.
4. Position Supporting Rod (D) under Upper Shelf (B) at the middle location. Attach the round end of the rod to the shelf using Bolt (G). Use a Phillips screwdriver to rotate the bolt clockwise until tight.

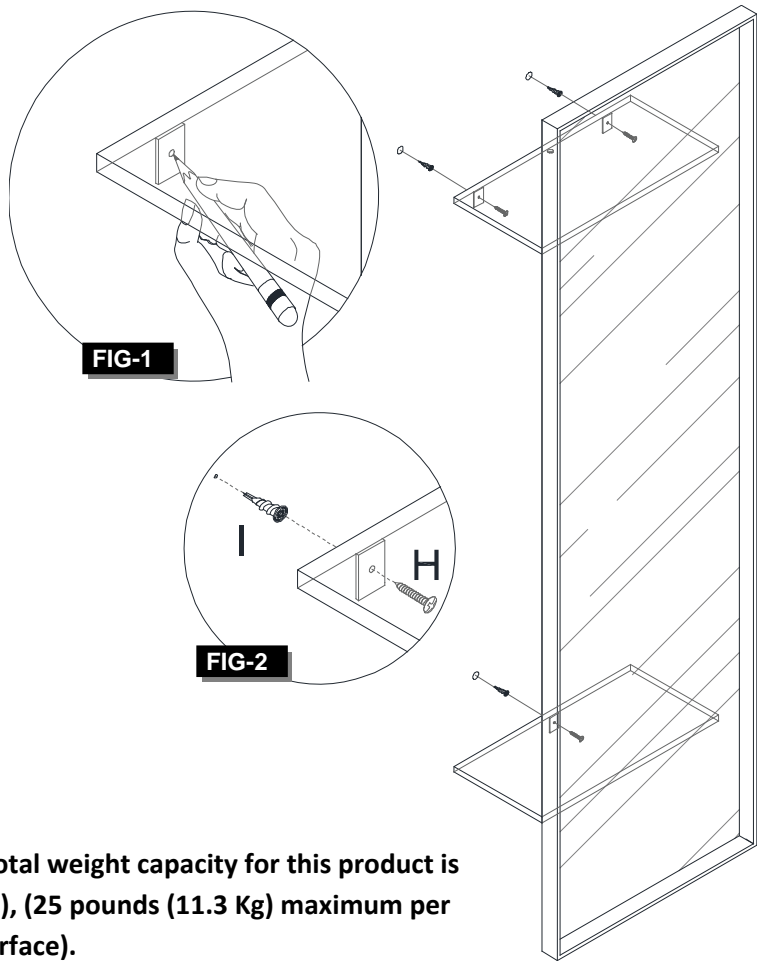


5. Attach the flat end of Supporting Rod (D) to the back of mirror using the remaining two Wood Screws (F). Tighten with a Phillips screwdriver.
6. Position the assembly upright and it now is ready for wall mounting.

MOUNTING INSTRUCTIONS:

This item is meant to be set on the floor and simultaneously attaching to a wall using provided mounting hardware. DO NOT hang this item directly from the wall.

- 1) With the help of another person, position the mirror upright at a desired location on the floor so that the backs of the shelves touch to a wall. Using a pencil, mark the wall through each of the four brackets located at the rear side of item as shown (see FIG-1). Move the mirror aside. The resulting marks on the wall are the insertion points for the mounting hardware.
- 2) Use a stud-finder to determine if there is a wall stud located at either insertion mark. If a mark aligns with wall stud, leave the mark to Step #4 as you will only install a screw (H) at that location.
- 3) For marks that do not align with a stud, first install the anchors (I) into the wall. To do this, use a Phillips screwdriver to engage an anchor and then position the anchor tip against the wall at one of the marks. Rotate the anchor clockwise as you firmly push it into the wall. The anchor will drive itself into the wall like a large screw. Continue rotating until the anchor's head is flush with the wall surface. Do not over-tighten.
- 4) Once the anchors are in place, Move the mirror back to the location so that the holes on the brackets align with either installed anchors or pencil marks (stud-aligned positions). Use the screwdriver to secure a screw (H) through each hole and into either an installed anchor (see Fig.2), or directly into the wall. Rotate each screw clockwise until tight.



The product now is secured to the wall.

NOTE: Maximum total weight capacity for this product is 50 pounds (22.7 Kg), (25 pounds (11.3 Kg) maximum per shelf/horizontal surface).

CARE INSTRUCTIONS:

- Wipe with a soft, dry or slightly damp cloth.
- To protect the finish, do not apply household cleaners or abrasives.

Thank you for your purchase!
Stores | Catalog | www.potterybarn.com