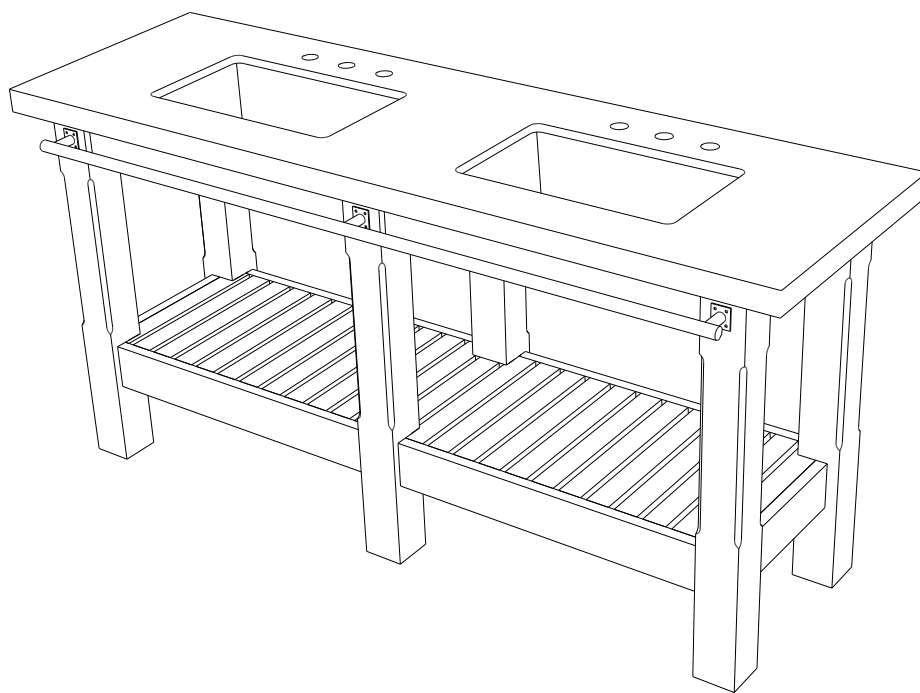


# POTTERY BARN



## ABBOTT Double Sink Console

### Important Safety Instructions:

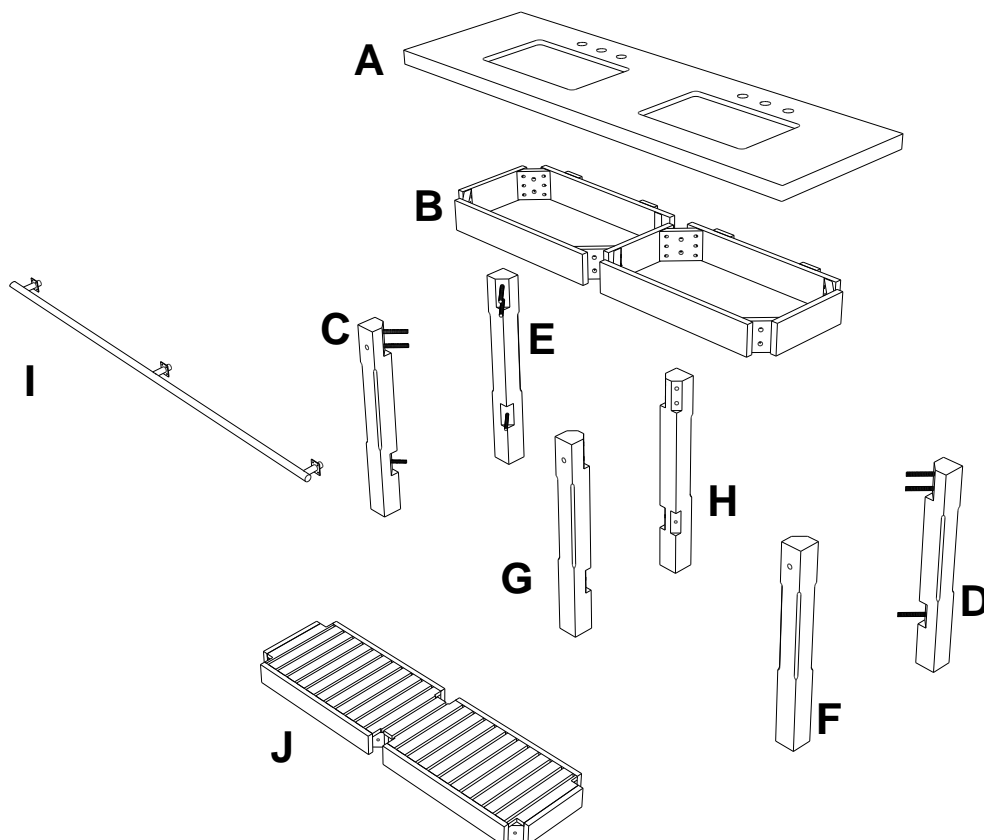
- Please read all instructions carefully before assembling.
- For your safety, assembly by two or more adults is strongly recommended.
- Keep instructions for future use.
- Use only vendor supplied hardware to assemble. Using unauthorized hardware could jeopardize the structural integrity of the item.
- **Please note that sink is sold separately.**

### Pre-assembly:





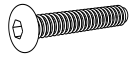

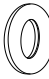




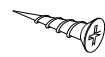
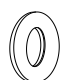
- Remove all parts and hardware from the box and lay out on a clear carpeted or scratch-free work surface, as this will avoid damaging parts during assembly. The shipping box provides an ideal work surface.
- Do not dispose of any packaging or contents of the shipping carton until assembly is completed to avoid accidentally discarding small parts or hardware.
- Use the parts and hardware lists below to identify and separate each of the pieces included.
- The illustrations provided allow for easier assembly when used in conjunction with the assembly instructions.
- The use of power tools to aid in assembly is not recommended. Power tools can damage hardware and split wood.

### Parts Included:

(A)	Cement top	1pc
(B)	Top apron frame	1pc
(C)	Left front leg	1pc
(D)	Right back leg	1pc
(E)	Left back leg	1pc
(F)	Right front leg	1pc
(G)	Middle front leg	1pc
(H)	Middle back leg	1pc
(I)	Towel Bar	1pc
(J)	Shelf	1pc



**Hardware Included:**

<p>(K) Long Bolt</p>  <p>M8 x 64mm 5x</p>	<p>(L) Bolt</p>  <p>M8 x 51mm 12x</p>	<p>(M) Spring washer</p>  <p>M8 17x</p>	<p>(N) Flat washer</p>  <p>M8 x 19mm 12x</p>
<p>(O) Short Bolt (Stainless steel)</p>  <p>M8 x 19mm 12x</p>	<p>(P) Spring washer (Stainless steel)</p>  <p>M8 x 2mm 12x</p>	<p>(Q) Flat washer (Stainless steel)</p>  <p>M8 x 16mm 12x</p>	<p>(R) L shape metal bracket (Stainless steel)</p>  <p>80 x 20 x 25 x 3.5mm 12x</p>
<p>(S) Nuts</p>  <p>M10 12x</p>	<p>(T) Spring washer</p>  <p>M10 12x</p>	<p>(U) Flat washer</p>  <p>M10 x 22mm 12x</p>	<p>(V) Screws</p>  <p>#8 x 38mm 12x</p>
<p>(W) Flat washer</p>  <p>M8 x 22mm 5x</p>			

**Tool Required (included):**

(X)



Allen wrench

(Y)

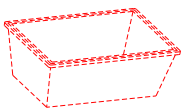


Wrench

(not included)

**PARTS NOT INCLUDED IN THIS SET:**

(Z)



Sink

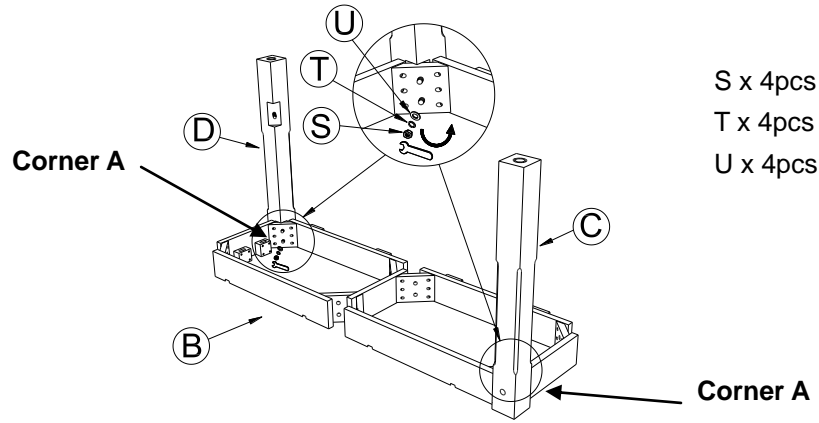
2x

**Assembly Instruction Steps:**

- Carefully turn the Cement top (A) up side down on a carpet or scratch-free surface.
- Attach Left front leg (C) and Right back leg (D) to the 2 Corners marked A of Top apron frame (B) using Nuts (S), Spring washer (T) and Flat washer (U). Tighten with Wrench (Y). Do not over tighten the Nuts. (See **Fig. 1**)

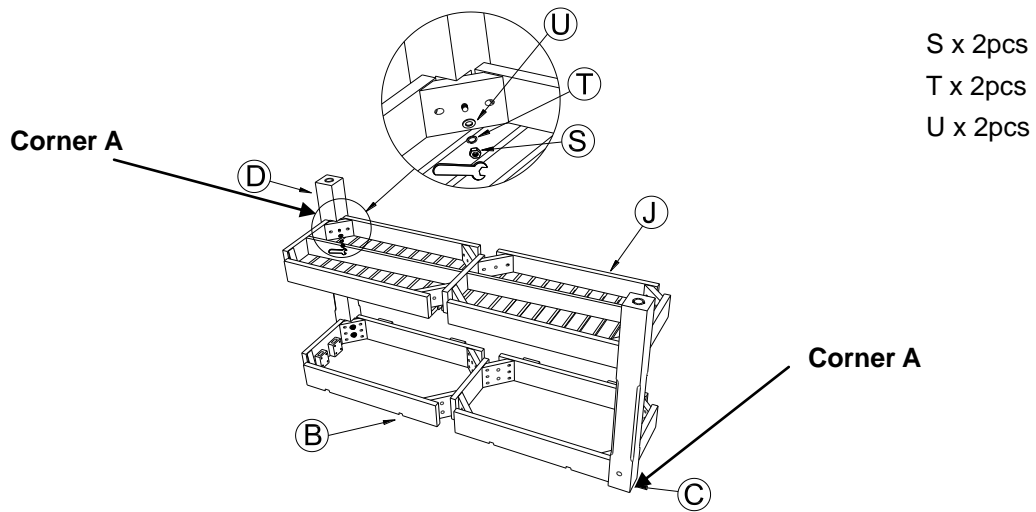
**Reminder: Leg C, G & F need to be assembled on the front side for towel bar.**

**Fig.1**



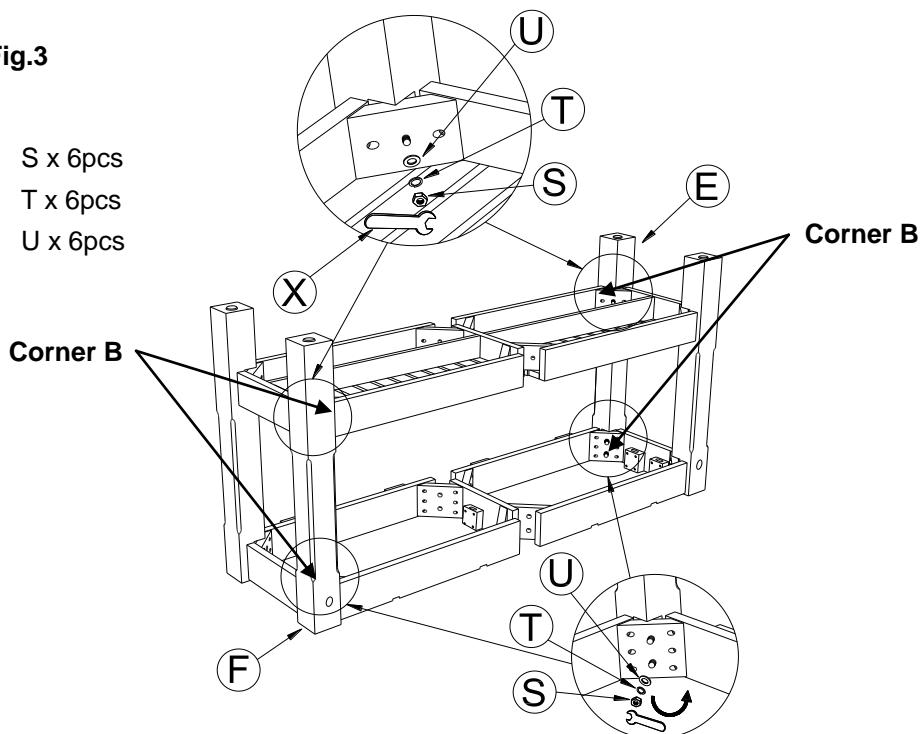
3. Insert Corner A of Shelf (J) into notches of the two legs and tighten using Nuts (S), Spring washers (T) and Flat washers (U), tighten Nuts securely with Wrench (Y). Do not over tighten the Nuts. (See Fig. 2)

**Fig.2**



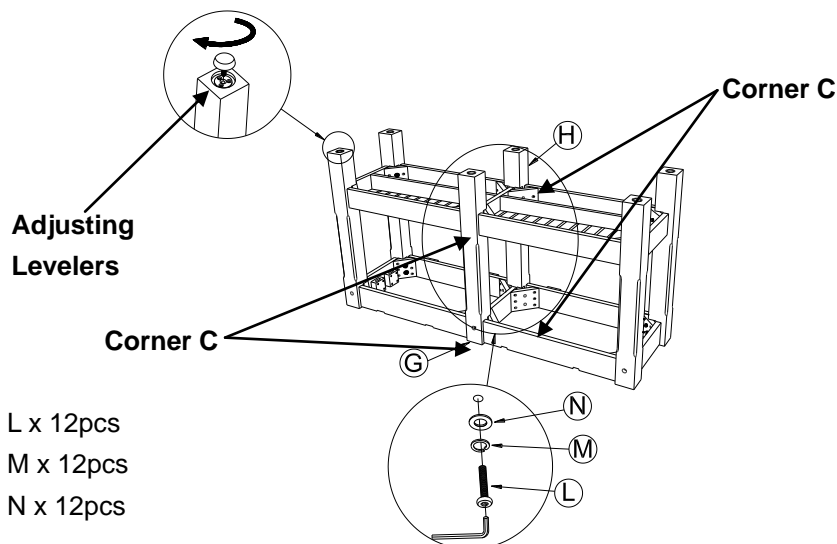
4. Attach Left back leg (E) and Right front leg (F) to the Corner B of Top apron frame and Shelf using Nuts (S) and Spring washer (T) and Flat washer (U). Tighten all Nuts securely with Wrench (Y). Do not over tighten the nuts. (See Fig. 3)

**Fig.3**



- Attach Middle front leg (G) and Middle back leg (H) to middle of Top apron frame and Shelf using Bolt (L) and Spring washer (M) and Flat washer (N). Tighten all Bolts securely with Allen wrench (X). (See Fig.4)

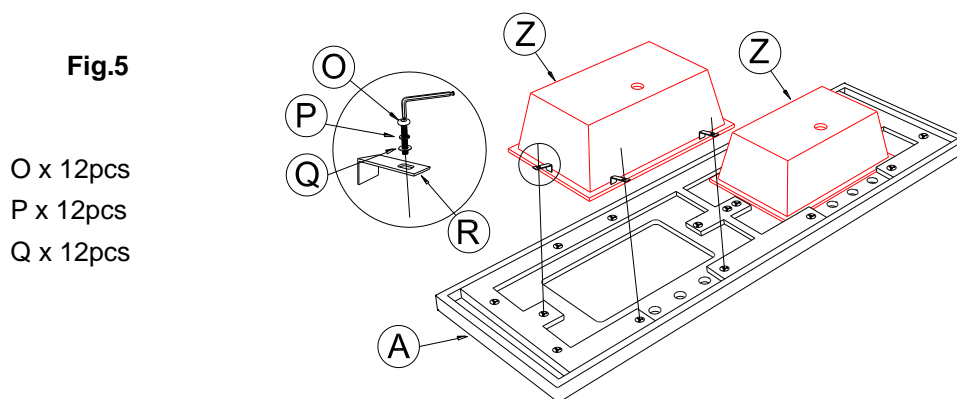
**Fig.4**



- Attach the Sink (Z) to the Cement Top (A) with L shape metal bracket (R) using Short bolt (O), Spring Washer (P) and Flat washer (Q) with Allen wrench (X). (See Fig. 5)

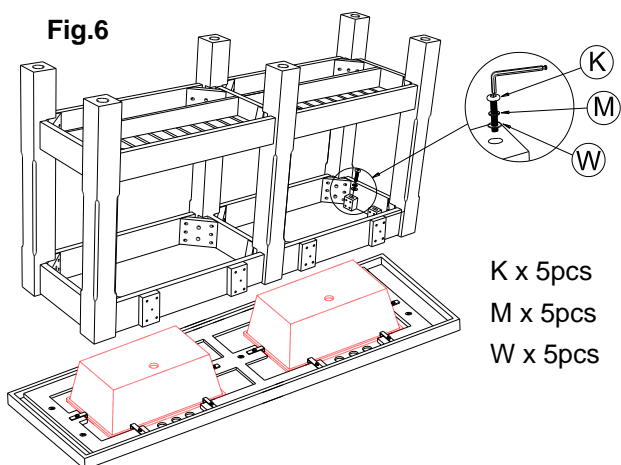
**Reminder: When assembling sink, you must make sure drain hole is on the same side as holes in cement top.**

**Fig.5**

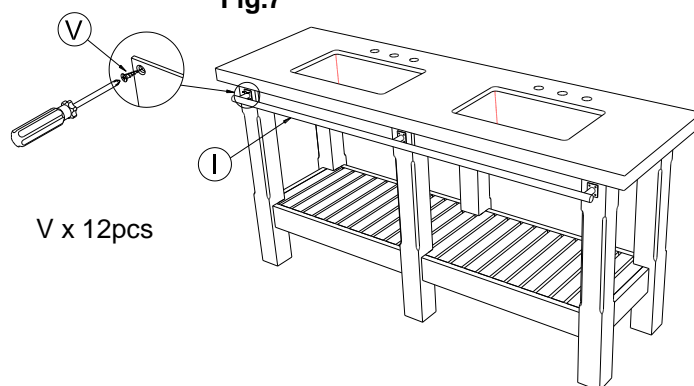


- Attach the wood base to the Cement top (A) using Long bolt (K), Spring Washer (M) and Flat washer (W) with Allen wrench. (See Fig.6)
- Grip the table firmly at each end and carefully turn upright. Attach Towel Bar (I) to the front of the wood base using Screw (V) with Philips screw driver. Assembly is now complete. (See Fig.7)

**Fig.6**



**Fig.7**



9. Tighten all bolts securely with Allen key, but do not over tighten the bolts.
10. Turn the assembled table to the upright position, Assembly is complete.

**Adjusting Levelers:**

Due to an uneven floor the furniture may not sit level due causing it to wobbles. If the piece wobbles, determine which corner does not touch the ground correctly. With two people follow these steps:

1. Carefully lift the item slightly to provide access to the levelers attached to the bottom. (See **Fig. 4**).
2. Turn the levelers until adequate contact will be made with the floor. Gently set down the piece and check stability.
3. Repeat steps until furniture sits firmly on the ground.

**Care Instructions:**

- Dust often using a clean, soft, dry and lint-free cloth.
- Blot spills immediately and wipe with a clean, damp, cloth.
- We do not recommend the use of chemical cleansers, abrasives or furniture polish on our lacquered finish.
- Hardware may loosen over time. Periodically check to make sure all connections are tight. Re-tighten if necessary.

Thank you for your purchase.  
stores | catalog