

P O T T E R Y B A R N

BAKER MEDICINE CABINET

Important Safety Instructions:

- MAXIMUM INDIVIDUAL SHELF WEIGHT CAPACITY IS 20 POUNDS
- Please read all instructions completely before assembling.
- For safe mounting, it is essential to use appropriate hardware for your wall type (plaster, drywall, concrete, etc.) Contact your local hardware store to determine the hardware needed. Mount to wood studs whenever possible. Two people are recommended for safety and ease of mounting.

Parts Included:

- (1) Cabinet (A)
- (3) Glass shelves (B)

Hardware Enclosed:

- (12) Shelf support pins (c)
- (1) Anchor (d)
- (1) Short Screw 4mm X 30mm (e)
- (1) Wall Bracket (f)
- (2) Toggles (g)
- (2) Long Screws 4mm X 55mm (h)

Tools Required for Assembly:

- (1) Screwdriver, not included

Pre-Assembly:

- Remove all parts and hardware from the box and lay out on a clear workspace, along with any plastic protective packaging. Do not dispose of any contents until assembly is completed to avoid accidentally discarding small parts or hardware.
- Use the parts and hardware list to identify and separate each of the included pieces.
- The illustrations provided allow for easier assembly when used in conjunction with the assembly instructions.
- Note: Do not fully tighten all bolts until all parts are in place. Failure to follow these instructions may cause the bolts to misalign during assembly.

Assembly Instructions:

1. Determine the desired height for the cabinet using wall bracket (f). Use bubble level on bracket to ensure that the cabinet will be level as shown in illustration 1.
2. With a pencil, mark the location of two toggles (g) on the ends and anchor (d) on the center of wall bracket holes. Put the wall bracket aside. Install two toggles (g) and anchor (d) through the wall as shown in figure 2.
3. Install the wall bracket by firstly aligning the holes to the pre-installed toggles and anchor. Through the holes on the wall bracket, secure long screws (h) to toggles (g) and secure short screw (e) to wall anchor (d) using a screwdriver as shown in Illustration 2.
4. Attach medicine cabinet to the wall by hanging on wall bracket (f) as shown in figure 3.
5. Insert shelf support pins into the corresponding holes at desired level.
6. Gently place shelves onto support pins (c) as shown in illustration 4.
7. Assembly is complete.

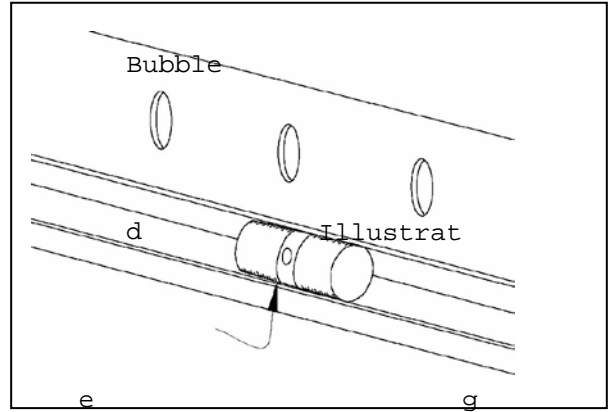
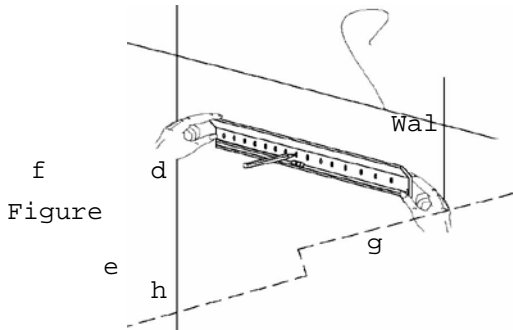
Care Instructions:

- Dust with a clean, soft cloth.
- To protect the finish, do not apply household cleaners or abrasives.

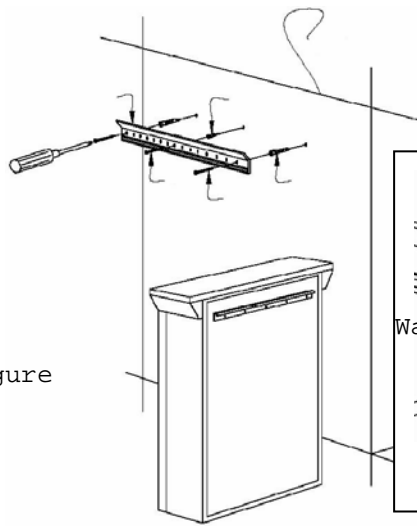
Figure 1

Illustrat

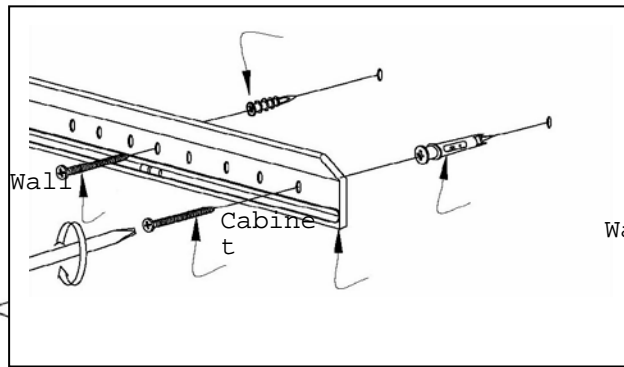
thank you for your purchase
stores | catalog | www.potterybarn.com



Figure

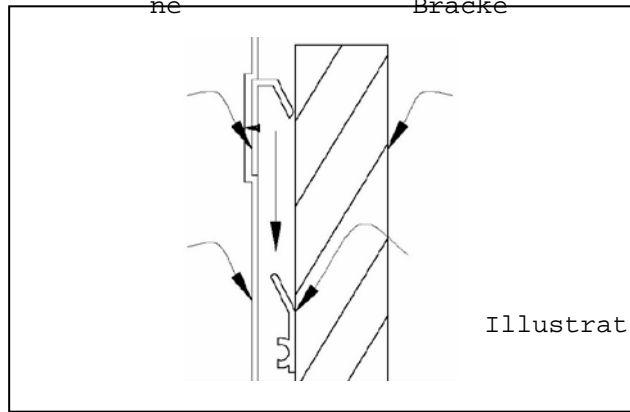
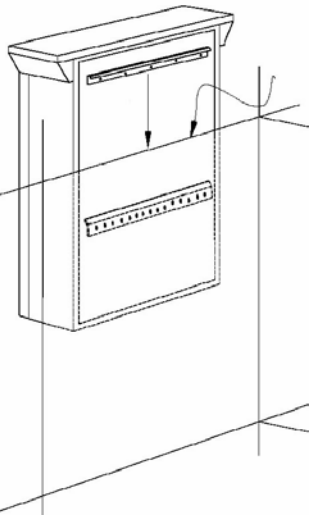


Figure

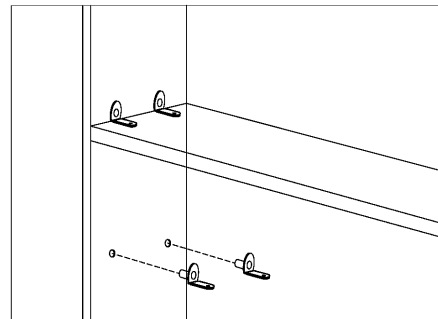
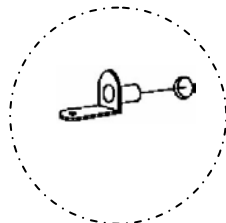
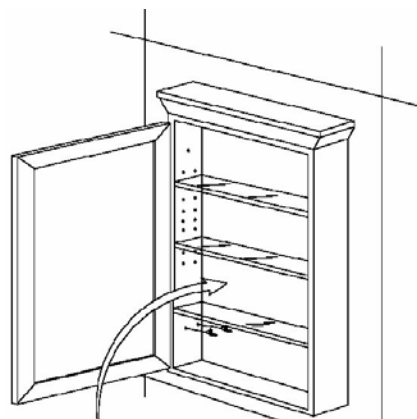


Illustrat
Wal

Figure



Illustrat



c

B

Removable