

# POTTERY BARN

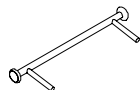
## Classic Marble Top Floor Storage

### Important Safety Instructions:

- Please read all instructions before beginning assembly.
- Save all packing materials until assembly is complete to avoid accidentally discarding smaller parts or hardware.
- Keep all parts and plastic bags out of the reach of children.
- For your safety and ease, assembly by two people is recommended.

### Parts Included:

- (2) Towel Bar (1)



### Hardware Included:

- (4) Phillips Head Bolt (2)



- (4) Spring Washer (3)

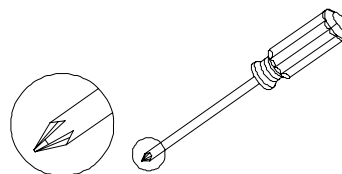


- (4) Flat Washer (4)



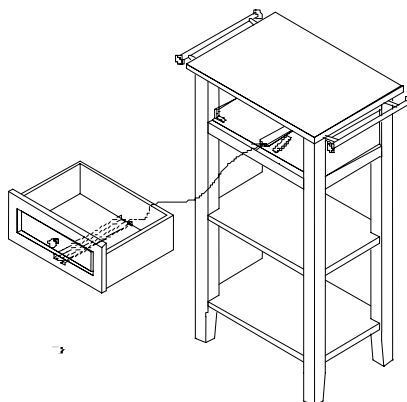
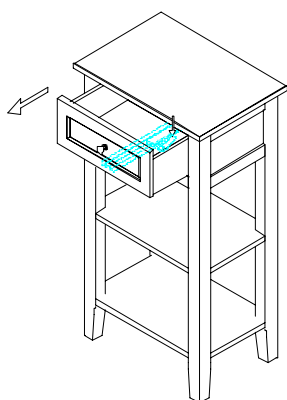
### Tools Required:

- Phillips Head Screwdriver

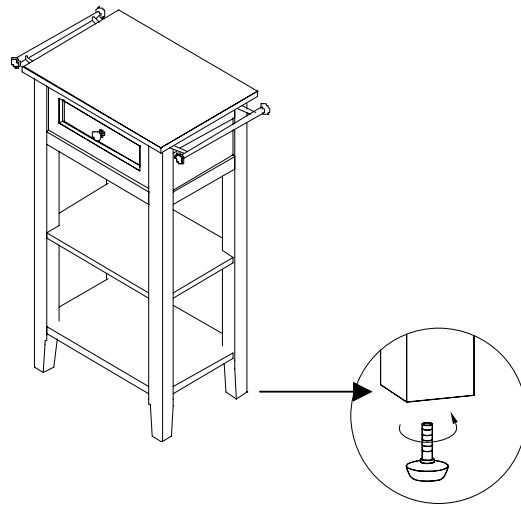
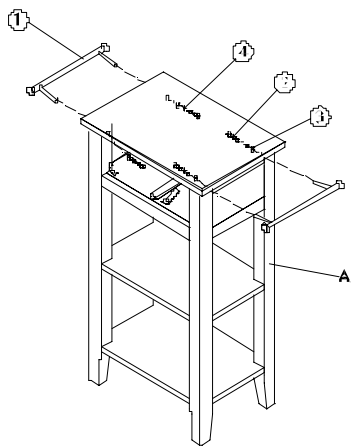


### Assembly Instructions:

1. Pull the drawer out half way. Press down on the white nylon drawer stopper, which is underneath the drawer. Pull drawer completely out of the frame. See illustration.



2. Align (1) towel bar (#1) to the pre-drilled holes on the side of the frame. Insert the Phillips Head bolt (#2) through a spring washer (#3) and flat washer (#4). Fasten towel bar to frame by inserting hardware into towel bar through the underside of the frame. Repeat steps for other towel bar. See illustration.
3. Slide the drawer back into the frame.



**Levelers:**

The levelers are pre-installed onto the legs. Adjust as needed to make sure the cabinet is level. Turn counter-clockwise to increase height, clockwise to decrease height. See illustration.

**Care Instructions:**

- Wipe cabinet with a soft, dry cloth.
- To protect the finish, avoid the use of all chemical and household cleaners and abrasives as they may damage finish.

Thank you for your purchase  
stores | catalog | [www.potterybarn.com](http://www.potterybarn.com)