

POTTERY BARN

CLASSIC RATTAN FULL BED Assembly instructions

- Please read all instruction before beginning assembly.
- For ease of assembly, assembly by two people is recommended.
- Save all packing materials until assembly is complete to avoid accidentally discarding smaller parts or hardware.

BOX 1 (60 ¾" X 59 ¾" X 10 ½")

Parts Inside:

- (1) Head Board
- (1) Foot Board
- (1) Hardware Pack including:
 - (32) Wood Screws for Slats

BOX 2 (80 ¾" X 9 ¾" X 11")

Parts Inside:

- (2) Side Rails
- (1) Slat roll including 16 slats

Tools Required:

- Phillips Screwdriver (not included)

Assembly Instructions:

1. Place the Headboard and Footboard near the desired location for the bed. Figure 1.

Figure 1

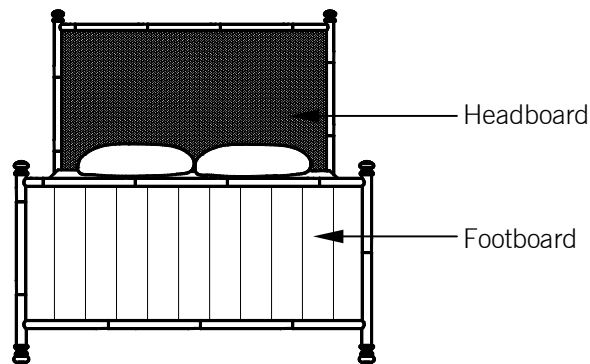
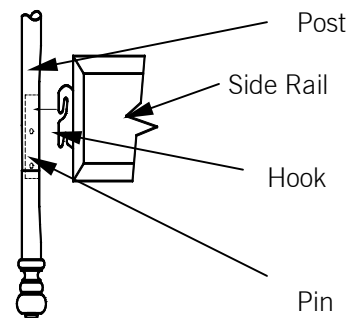


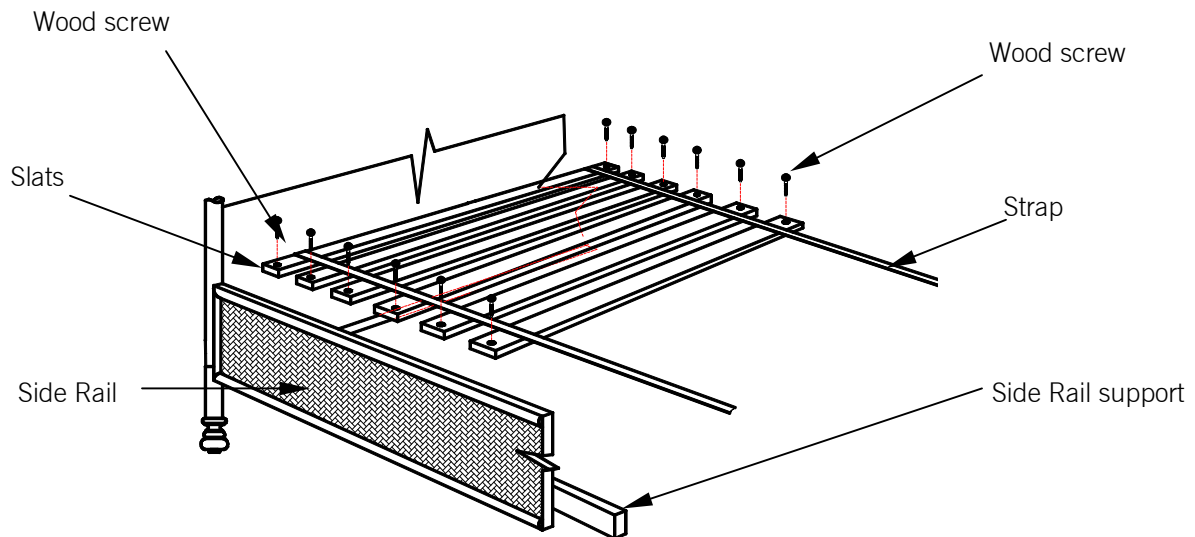
Figure 2

2. Locate the groove of each post, where the pin is inserted.
3. Align one side rail with hook at end to post. Insert the hook of the side rail into the groove of the post, slowly push downward to tighten the hook to the pin. Figure 2.
4. Repeat steps 2 and 3 until both side rails are completely attached.



5. Place the set of slats on the top of Side Rail support. Secure with the provided screws. Figure 3.
6. Assembly is complete.

Figure 3



Care Instruction:

- For daily cleaning, wipe with a soft damp cloth. Wipe dry immediately.
- To protect the finish, avoid the use of chemicals and harsh cleaning agents.

thank you for your purchase
stores | catalog | www.potterybarn.com