

POTTERY BARN

stinson wall cabinet

Pre-Assembly:

- Please read all instruction carefully before beginning assembly.
- For your safety, assembly by two people is recommended.
- This hanging system is meant for dry wall/stud mounting only. If walls are concrete, brick or plaster, please consult your local hardware store for assistance.
- When mounting to a stud use only screws; toggles not required.

Hardware enclosed:

- (2) Dry wall anchors (a)
- (2) Dry wall anchor screws (b)
- (8) Shelf pegs (c)

Parts enclosed:

- (1) Hanging bar (D)
- (2) Shelves (E)

Assembly Instruction:

1. Determine the desired placement of the cabinet and use the hanging bar (D) to mark the screw distances on wall. (Fig.1)
2. Screw in the anchor (a) following the distance marking using a screwdriver. Mount the hanging bar into the wall using the anchor screws (b). Insert screw into the anchor using a screwdriver. (Fig.2)
3. Gently hold the cabinet up and hang the cabinet by lowering the cabinet into the hanging bar until it rests securely. (Fig.3)
4. Determine the desired height for each shelf. Insert the shelf pegs (c) into the pre-drilled holes. (Fig.4)
5. Carefully insert the shelves (E) into the cabinet and gently rest the shelves onto the shelf pegs. (Fig.5)
6. Assembly is complete.

Fig.1

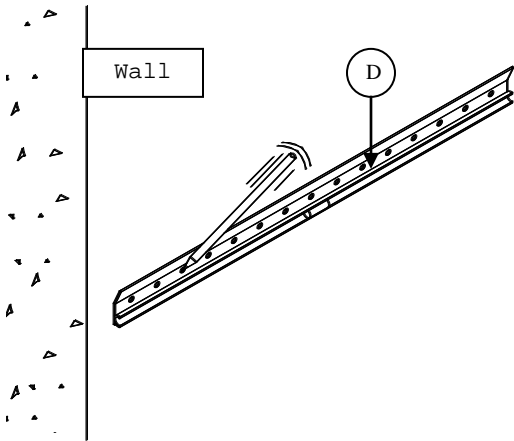


Fig.3

Fig.2

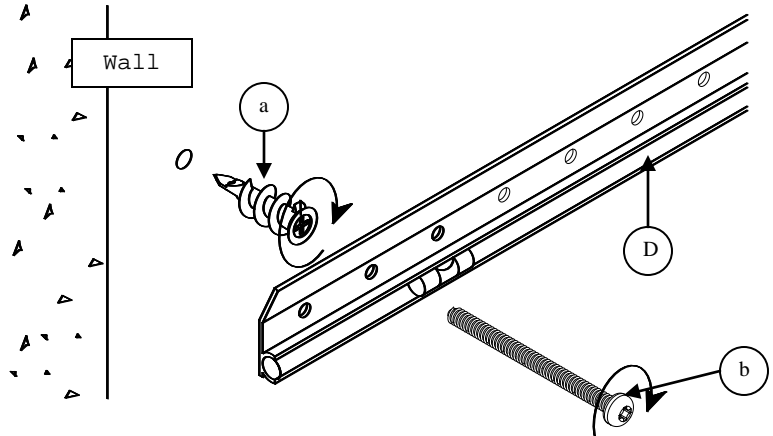
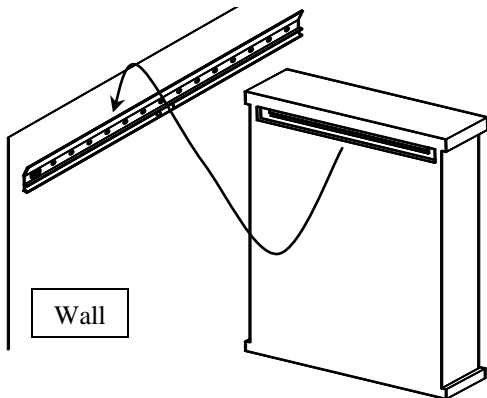
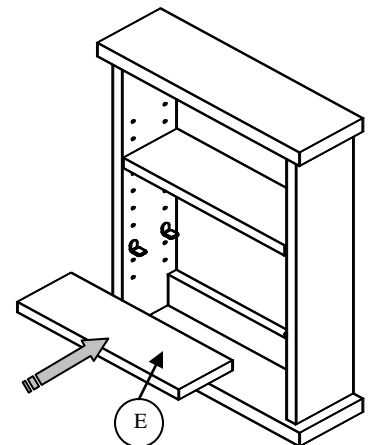
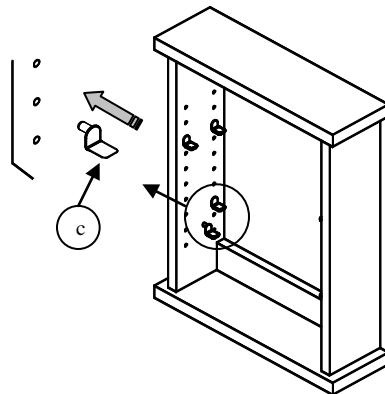


Fig.4

Fig.5



Care Instruction:



- Use a soft dry or slightly damp cloth to clean daily.
- Wipe up spills immediately.
- To protect the finish always avoid the use of chemical and abrasive cleaners.

thank you for you purchase