

POTTERY BARN

Wood and Metal Toilet Paper Holder

Note: For safe mounting, it is essential to use the proper hardware for your wall type. Contact your local hardware store for assistance, if necessary. For safety and ease of mounting, installation is recommended using two people. Mount to wood studs whenever possible.

Tools Needed:

Level, tape measure, stud finder, Phillips screwdriver, pencil

Hardware Included:

- A) 2 Plastic anchors (for dry wall only)
- B) 2 Metal screws
- C) 1 Allen wrench

Parts Included:

- D) 1 Mounting plate
- E) 1 Toilet paper holder with pre-attached set screw

Mounting Instructions:

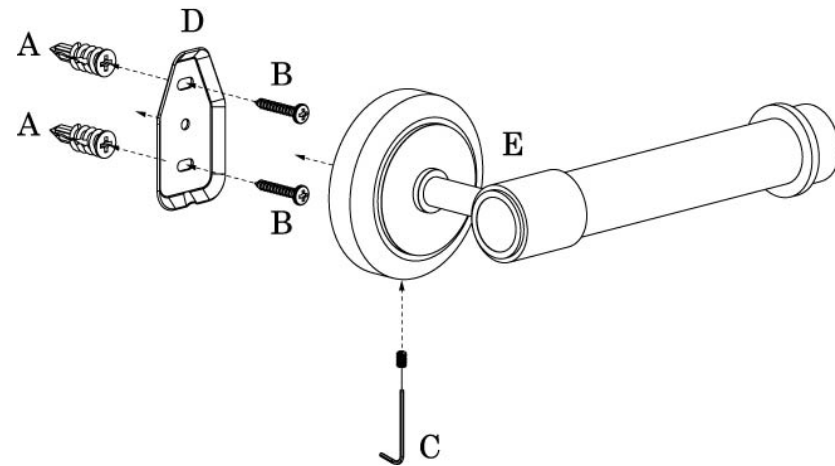
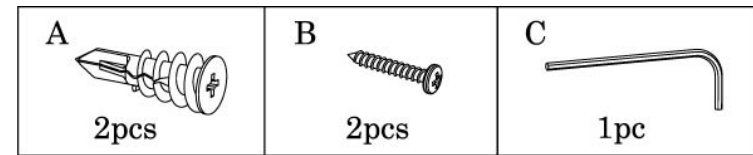
1. Hold mounting plate at desired location. With a pencil, mark on the wall the screw hole location. Remove from wall. These marks will be used to determine the location of your mounting hardware.

Dry Wall Mounting:

1. Use a Phillips screwdriver to insert the wall anchors. Do not "push" or drive the anchors into the wall, they are designed to bore into the wall like a drill bit. Slowly turn the anchors clockwise while applying pressure until the flange just touches the wall.
2. Attach mounting plate by inserting screws into previously installed dry wall anchors. Tighten screws with a Phillips screwdriver.
3. Attach toilet paper holder onto mounting plate. Secure by turning set screw clockwise with Allen wrench until tight.

Stud Mounting:

1. Attach mounting plate by inserting screws directly into the wall (do not use anchors). Tighten screws with a Phillips screwdriver.
2. Attach toilet paper holder onto mounting plate. Secure by turning set screw clockwise with Allen wrench until tight.



Care Instructions:

Wipe with a soft, dry cloth. To protect the finish, do not use household cleaners or abrasives.

thank you for your purchase

[stores/catalog/www.potterybarn.com](https://www.potterybarn.com)