

P O T T E R Y B A R N

Battery Operated Lantern Assembly instructions

Safety Warnings:

- This product is intended for indoor or temporary outdoor use when conditions are favorable (dry).
- Avoid exposure to moisture
- Handle all contents with care. Store lantern in shipping box when not in use.
- Do not mix old and new batteries.
- Do not mix alkaline, standard (carbon zinc), or rechargeable (nickel cadmium) batteries.
- Replace bulb with commercially available 6VDC/125mA mini-screw base incandescent lamp.
- Remove batteries if dead or if product is to be left unused for a long period of time.

Parts Included:

- (1) Lantern
- (1) Light Stem
- (1) 6-volt (125mA) Mini-base Light Bulb
- (1) Metal Support

Needed for Operation:

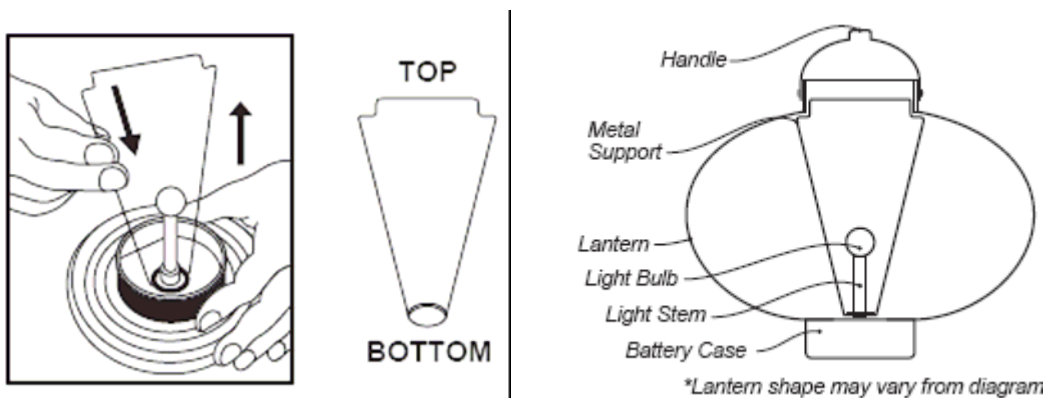
- (4) High-quality Alkaline AA batteries

Assembly Instructions:

1. Open lid of battery case found in lantern base. Insert (4) high-quality Alkaline AA batteries.
2. Attach light stem onto lantern base.
3. Carefully insert light bulb onto light stem unless already pre-installed.
4. Place circular bottom of metal support (see illustration) around light bulb at base of lantern.
5. Holding the top of the metal support, gently pull lantern up from the base while pressing down on and slightly bending the metal support. Carefully snap support in place under the top cuff of the lantern.

To Replace Batteries:

1. Open lid.
2. Replace old batteries and install (4) new high-quality Alkaline AA batteries.



Note:

The supplied 6-volt (125mA) mini base bulb included will burn for many hours and is easily replaceable. Bulb will stay lit for approximately 15 hours per set of high-quality Alkaline AA batteries.

thank you for your purchase
stores | catalog | www.potterybarn.com