

# P O T T E R Y B A R N

## Carved Wood Medicine Cabinet Mounting Instructions

This cabinet is intended for recessed mounting. It will require a rectangular hole in the wall with a size of; 31.10"W x 3.14"D x 21.30"H.

For safe mounting it is important to use the proper hardware for your wall type. The hardware included is meant for drywall and stud mounting only. If your walls are made from concrete, brick or plaster, please consult your local hardware store for assistance in selecting the proper hardware.

Hardware (included):

Four	:	Screw
Twelve	:	Glass Shelf Pin
Three	:	Glass Shelves

Tools needed:

Philips Screwdriver

Step #1 – Insert cabinet in the rectangular hole on the wall (see figure #1), open the door and insert 4 screws from the side of medicine box and tighten by screwdriver. See figure #2.

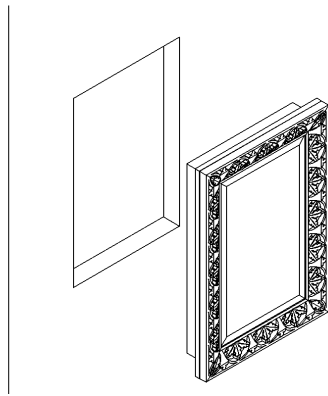


Figure #1

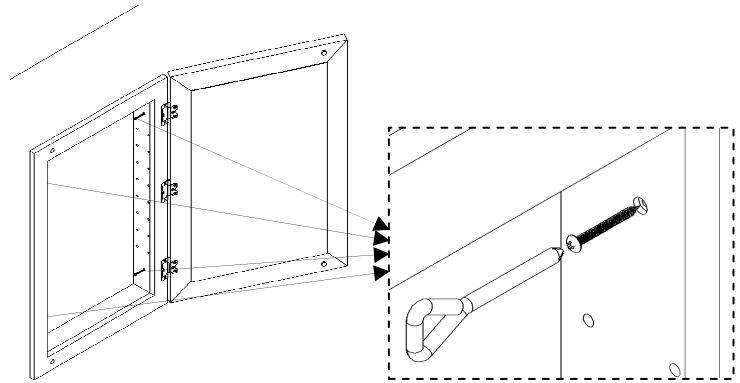


Figure #2

Step #2 – Insert the twelve shelf pins into the pre-drilled holes to install three shelves glass. See Figure #3

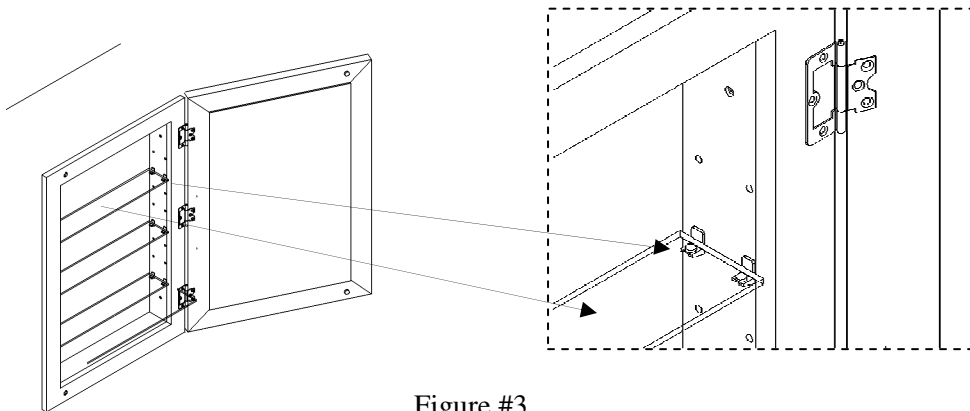


Figure #3

### **Care Instructions**

Wipe with a soft, dry cloth.

Do not use chemicals and household cleaners.

Thank you for your purchase!