

# POTTERY BARN

## Classic Mini Vanity

### Important Safety Instructions:

- Please read all instructions carefully before assembling. For your safety, assembly by two people is recommended.
- The maximum individual shelf weight capacity is 20lbs (9kgs). Do not exceed the load capacity.

### Parts Included:

(A) Vanity (1pc)

(B) Adjustable Shelf (2pc)

### Hardware Included:



(C) L-Shape Peg (8pc)

(D) Rubber Sheet (2pc)

### Pre-Assembly:

- Remove all parts from the box and lay out on a clear carpeted or scratch-free work surface. (The shipping box provides an ideal work surface). This will avoid damaging any parts during assembly. Do not dispose of any contents until assembly is complete to avoid accidentally discarding small parts. Use the parts lists above to identify and separate each of the pieces included.
- The illustration provided allows for easier assembly when used in conjunction with the assembly instructions.
- Note: Do not fully tighten all bolts until all parts are in place. Failure to follow these instructions may cause the bolts to misalign during assembly.
- If using power tools to aid in assembly please use caution. Power tools can damage hardware or split wood.
- Keep all parts and plastic bags out of the reach of children.

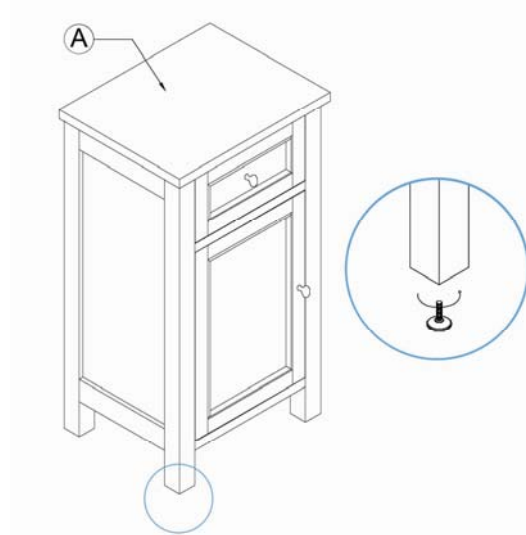
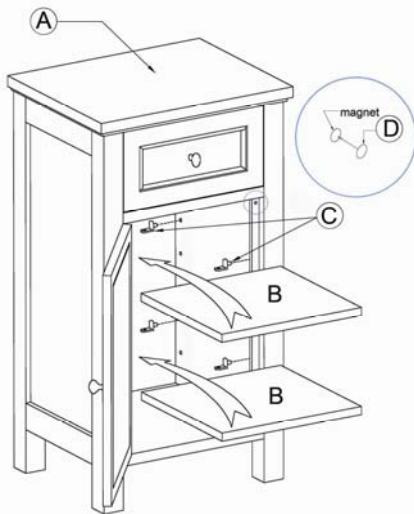
### Assembly Instructions:

#### Shelf Installation:

Insert the L-shape Peg (C) into the pre-drilled holes on the interior side of the vanity (A) at desired level. Carefully insert the adjustable Shelves (B) into the vanity. Gently rest the shelves onto the shelf pegs.

#### Leveler Adjustment:

Levelers are pre-installed on the legs. To make sure the vanity (A) is level, adjust as needed. Turn counter-clockwise to increase height, clockwise to decrease height.



Optional: Attach the Rubber Sheet (D) into the magnet in the vanity.

Note: Please refer to the separate anti-tip kit assembly instructions; FURNITURE TIPPING RESTRAINT.

### Care Instructions:

- Wipe vanity with a soft, dry cloth.
- To protect the finish, avoid the use of all chemical and household cleaners and abrasives as they may damage finish.

thank you for your purchase  
stores/catalog/www.potterybarn.com