

POTTERY BARN

FRANKLIN FLOOR STORAGE Assembly Instruction

NOTE: PROFESSIONAL INSTALLATION REQUIRED.

- For safe mounting, it is essential to use appropriate hardware for your wall type (plaster, drywall, concrete, etc.) Contact your local hardware store to determine the hardware needed. Mount to wood studs whenever possible.
- Two people are recommended for safety and ease of mounting.
- Please read all instructions before beginning assembly. Save all packing materials until mounting is complete to avoid accidentally discarding smaller parts or hardware. Keep all parts and plastic bags out of the reach of children.

Parts Included:

- (1) Franklin Floor Storage (A)

Hardware Included:

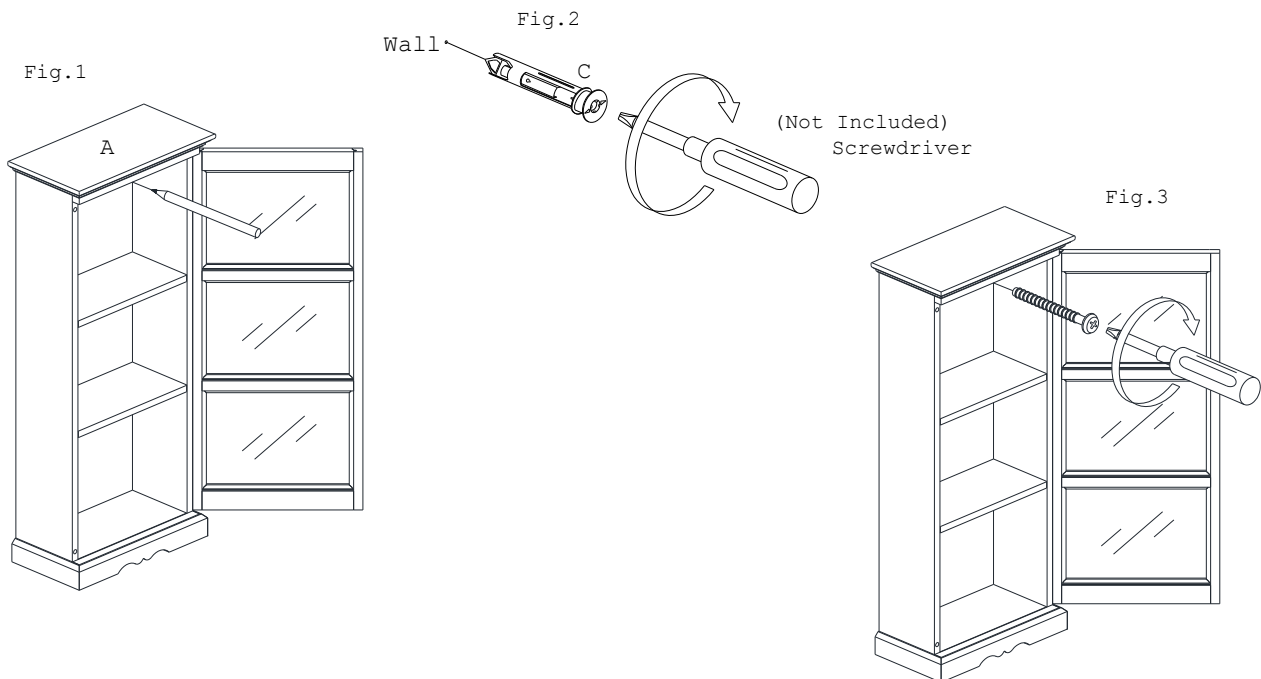
- (1) Toggle - (B) (Use for drywall)
- (1) Toggle Screw M8 x 55 (C) (Use with Toggles)

Tools required for assembly (Not Included):

- (1) Screwdriver
- (1) Pencil
- (1) Drill

Drywall Mounting:

1. Determine the location of the Franklin Floor Storage (A).
2. With a pencil, mark the wall through the hole on back panel of the Franklin Floor Storage, where the mounting hardware will go as shown in fig 1.
3. Put the cabinet aside.
4. Install the toggles (B) through the marked spots on the wall using a screwdriver. Do not "push" or drive the toggle into the wall, it is designed to bore into the wall like drill bit. Slowly turn the toggle clockwise while applying pressure until the flange just touches the wall, keep turning clockwise until one of the arrows on the flange is pointing to 12 o'clock position as shown in fig 2.
5. Locate the cabinet back by aligning the hole on the back panel with the toggle that has been attached (step.3).
6. Insert the toggle screw (C) through the pre drilled hole on the center of the back panel, into the toggle (C) by turning clockwise. Do not "drive" the screw to its end/head as shown in fig 3.



Care Instructions:

- Clean with a soft, dry cloth.
- To protect the finish, do not apply household cleaners or abrasives.