

POTTERY BARN

FRANKLIN WALL STORAGE Assembly Instruction

NOTE: PROFESSIONAL INSTALLATION REQUIRED.

- For safe mounting, it is essential to use appropriate hardware for your wall type (plaster, drywall, concrete, etc.) Contact your local hardware store to determine the hardware needed. Mount to wood studs whenever possible.
- Two people are recommended for safety and ease of mounting.
- Please read all instructions before beginning assembly. Save all packing materials until mounting is complete to avoid accidentally discarding smaller parts or hardware. Keep all parts and plastic bags out of the reach of children.

Parts Included:

- (1) Franklin Wall Storage (A)
- (1) Wood Support (B)

Hardware Included:

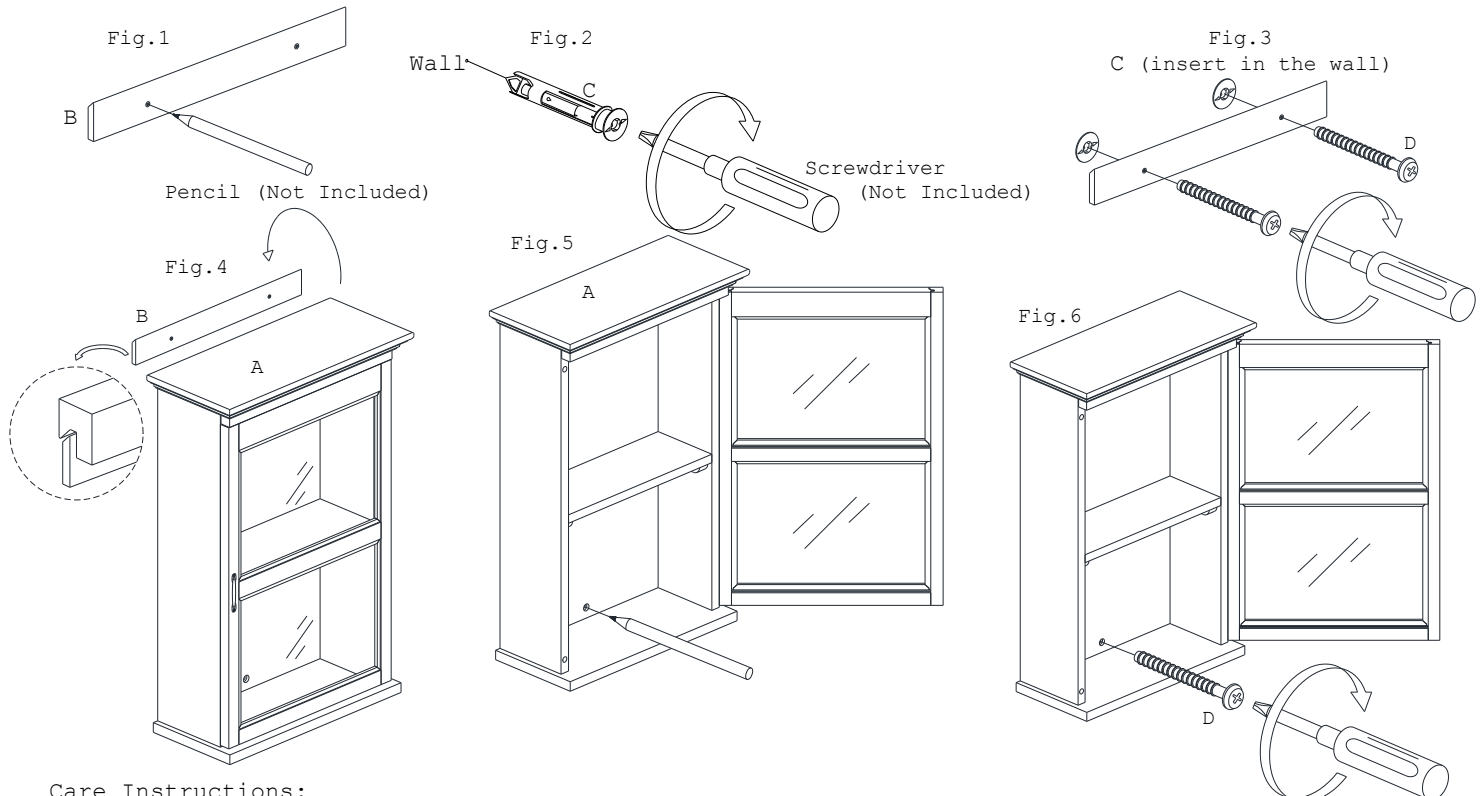
- (3) Toggle - (C) (Use for drywall)
- (3) Toggle Screw M8 x 55 (D) (Use with Toggles)

Tools required for assembly (Not Included):

- (1) Screwdriver
- (1) Pencil
- (1) Drill
- (1) Level

Drywall Mounting:

1. Determine the desired height with wood support (B) on the wall for the Franklin Wall Storage (A).
2. With a pencil, mark the wall through the holes on the wood support (B), where the mounting hardware will go.
3. Put the wood support aside.
4. Install the toggles (C) through the marked spots on the wall using a screwdriver. Do not "push" or drive the toggle into the wall, it is designed to bore into the wall like a drill bit. Slowly turn the toggle clockwise while applying pressure until the flange just touches the wall, keep turning clockwise until one of the arrows on the flange is pointing to 12 o'clock position.
5. Install the wood support by inserting the toggle screws (D) through the holes on the wood support (B) into the toggles (C) and turn clockwise.
6. Attach the Franklin Wall Storage (A) by carefully sliding it down & hanging on the wood support (B).
7. With a pencil, mark the wall through the hole on the back panel of the Franklin wall storage (A) as shown fig 5. Put the Franklin Wall Storage aside.
8. Repeat step 4 and then hang the Franklin Wall Storage (A) again. Insert the toggle screw (D) through the hole on the back of the Franklin Wall Storage (A) & turn clockwise as shown on fig 6.



Care Instructions:

- Clean with a soft, dry cloth.
- To protect the finish, do not apply household cleaners or abrasives.