

POTTERY BARN

Meriel Floor Storage

Assembly Instructions

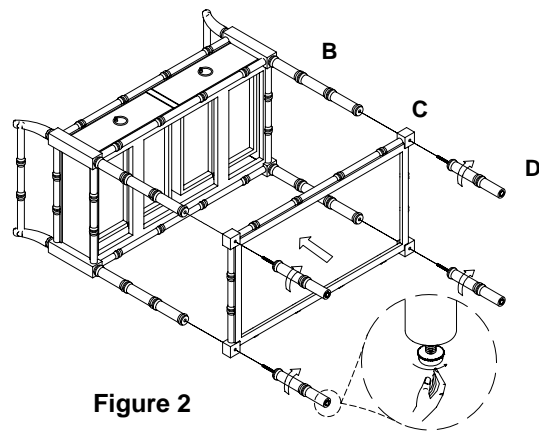
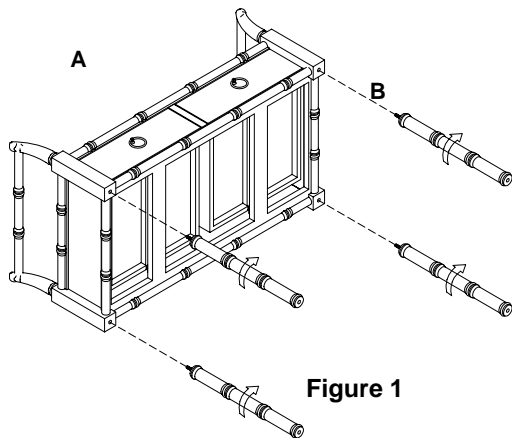
- Please read all instructions before beginning assembly.
- For ease of assembly, two people are recommended.
- Save all packing materials until assembly is complete to avoid discarding smaller parts or hardware.

Parts Included:

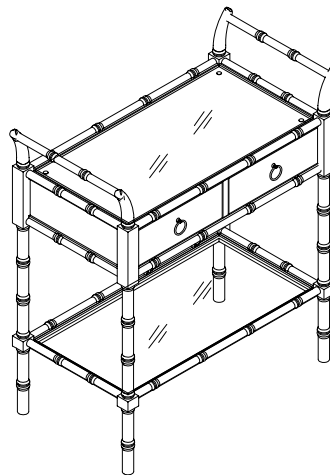
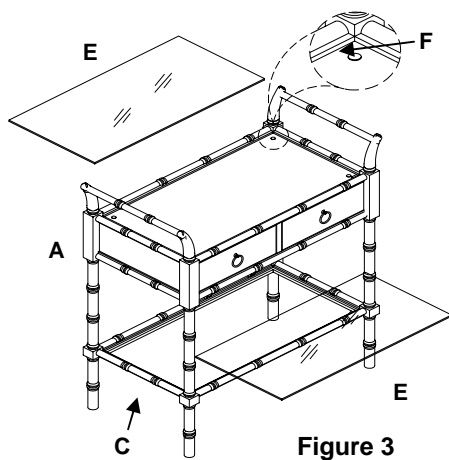
- | | | |
|-------------------------------|------------------------------|----------------------------|
| A - Table Top (1) | B - Upper Post with bolt (4) | C - Bottom Shelf Frame (1) |
| D - Support Leg with bolt (4) | E - Glass Shelf (2) | F - Glass Pad (4) |

Assembly Instructions:

1. Unpack carton contents and place on a smooth, clean, scratch-free, non-abrasive surface.
2. Carefully lay down the table top. Attach the upper post with bolt (B) into the bottom of table top (A). Figure 1.
3. Attach the bottom shelf frame (C) to the upper post (B) with the support leg bolt (D). Figure 2.



4. Leveler Adjustment: Levelers are pre-installed on the support legs (D). To make sure the floor storage is level, adjust as needed. Turn counter-clockwise to increase height, clockwise to decrease height. Figure 2.
5. Place the glass pads (F) on the table top (A). Carefully unpack glass shelves from carton. Gently lay the shelf on the table top (A) and onto the bottom shelf frame (C). Figure 3.



Care Instructions:

- Dust with a clean, soft, damp cloth. Wipe dry immediately. Avoid the use of chemicals and harsh cleaning agents.