

POTTERY BARN

MONTEGO BATH STOOL Assembly Instructions

Pre-Assembly:

- Please read all instructions carefully before assembling.
- Save all packing materials until the stool is fully assembled to avoid accidentally discarding any parts or hardware.
- For your safety and ease of assembly two people is recommended.

Parts-Included (Box 1 of 1):

- (2) Arm (A)
- (1) Platform (B)

Hardware Included:

- (8) Bolts M6 – 45mm (C)
- (1) Wrench (D)
- (8) Flat Washer (E)
- (8) Spring washer (F)

Fig. 1

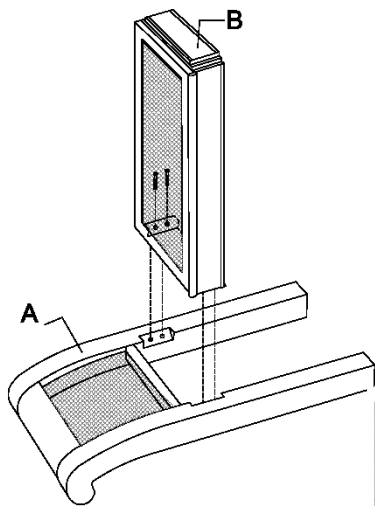


Illustration 1

Fig. 2

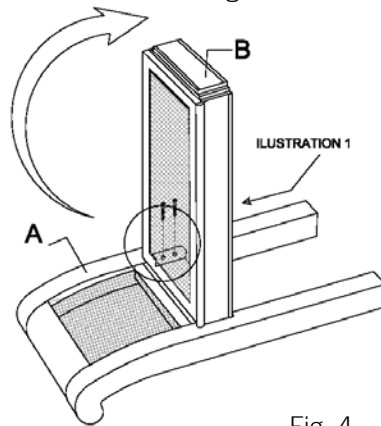


Fig. 4

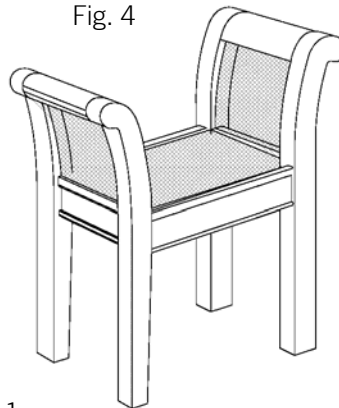
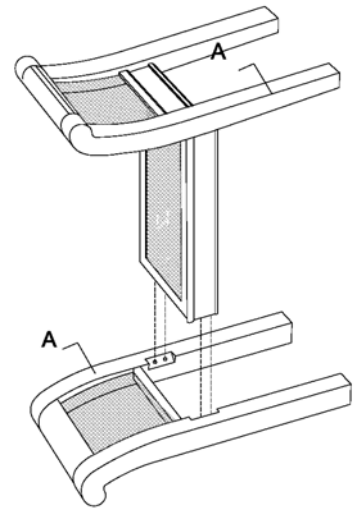


Fig. 3



To Assemble:

1. Attach the platform (B) to the arm (A) as shown in Fig. 1.
2. Insert flat washer (E), spring washer (F) and bolt (C) into the holes and tighten with wrench (D) as shown in Illustration 1
3. Attach the other arm to the platform (B) as shown in Fig.2.
4. Insert flat washer (E), spring washer (F) and bolt (C) into the holes and tighten with wrench (D) as shown in Illustration 1
5. Assembly is complete. Fig. 4.

Care Instruction:

- Wipe with a clean, soft cloth.
- Avoid the use of all abrasive cleaners.

thank you for your purchase
store | catalog | www.potterybarn.com