

POTTERY BARN

RECESSED MEDICINE CABINET

Note: Professional installation recommended.

- For safe mounting, it is essential to use appropriate hardware for your wall type (plaster, drywall, concrete, etc.) Contact your local hardware store to determine the hardware needed. Mount to wood studs whenever possible. Two people are recommended for safety and ease of mounting.
- Please read all instructions before beginning assembly. Save all packing materials until mounting is complete to avoid accidentally discarding smaller parts or hardware. Keep all parts and plastic bags out of the reach of children.

Parts Included:

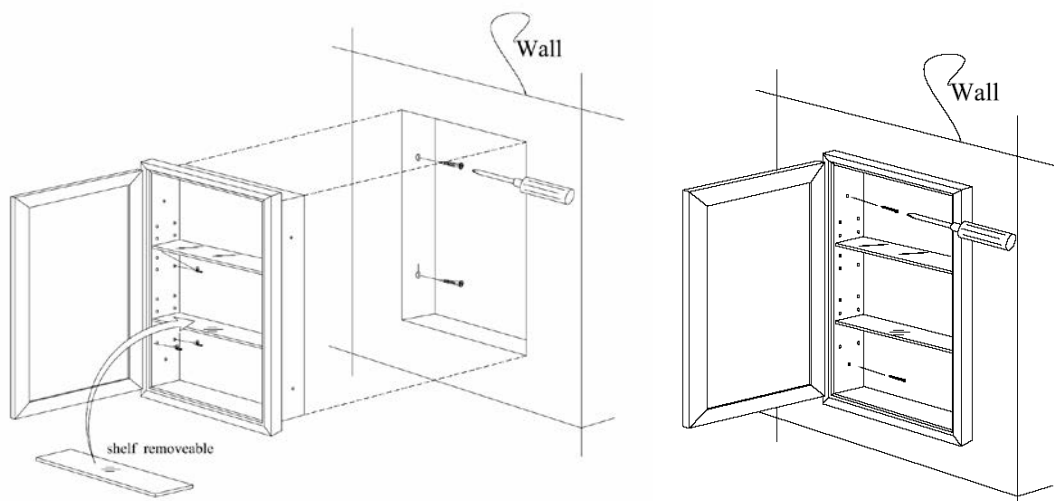
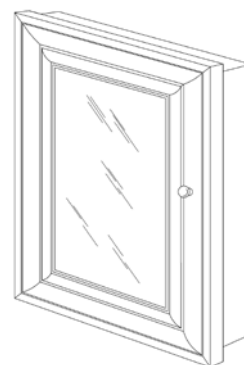
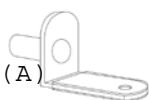
- (2) Glass shelves

Hardware Included:

- (8) Shelf support pin (A)

- (4) Anchor (B)

- (4) 40mmx30mm Screw (C)



Mounting Instructions:

1. After measuring the recessed portion of cabinet, make a cut out in the wall measuring 406 mm W x 90 mm D x 558 mm H (approximately 16" W x 3.5" D x 22" H).
2. Place the cabinet into the wall. With a pencil, mark the location of the 4 screw holes. Use a carpenter's level to ensure that the cabinet will be level.
3. Using the marks in the previous step as a guide, insert the dry wall anchors (B). Use a Phillips screwdriver to install anchors into drywall. Do not "push" the anchor; it is designed to bore into the wall like a drill bit. Slowly turn the anchor clockwise while applying pressure until the flange just touches the wall.
4. Insert the cabinet into the wall and align the cabinet holes with the installed anchors. Install the screws to the anchors through the cabinet holes.

Shelf Installation:

1. Insert shelf support pins into the corresponding holes at desired level.
2. Gently place shelves onto support pins.

Care Instructions:

Clean with a soft, dry cloth. To protect the finish, do not apply household cleaners or abrasives.

thank you for your purchase
store | catalog | www.potterybarn.com