

# P O T T E R Y B A R N

## Patrick Articulating Reading Sconce Assembly Instructions

### Important Safety Instructions:

- For safety purposes, this lamp is equipped with a polarized plug (one blade is wider than the other). If the plug does not fit securely into your outlet, do not force it – contact a professional electrician. Use the plug with an extension cord only if it can be fully inserted into the cord's socket. Never alter the plug in any way.
- These instructions are provided for your safety. It is important that they are read carefully and completely before assembling fixture.
- For your safety, use only shades with an open top with a measurement of at least 3.5 inches in diameter.
- This fixture has been rated for up to (1) 40-watt maximum TYPE A standard bulb (not included). To avoid the risk of fire, do not exceed the recommended wattage.

### Parts Included:

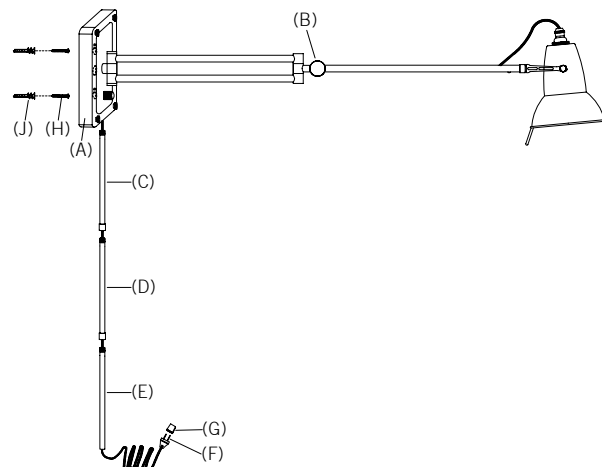
- (1) Lamp base (A)
- (2) Adjustment keys (B)
- (3) Cord covers (C)(D)(E)
- (1) Cord with plug (F)
- (1) Plug cover (G)

### Hardware Included:

- (2) Back plate screw(H)
- (2) Toggle bolt(J)

### To Install You Will Need:

- Phillips screwdriver
- Flat screwdriver/drill



### Installation Instructions:

1. Remove white plastic bushing inside of the threaded hole before attaching the cord cover (C) to the fixture. The threaded hole is at the bottom side of the lamp base (A).
2. Locate a wall stud near the location where you wish to mount the fixture. If you are unable to locate a wall stud, two metal toggle bolts (J) are included for mounting in drywall.
3. Measure center distance of mounting holes on back of lamp base (A), and mark two hole locations same distance on the wall, making sure both holes are vertical.
4. If the lamp is to be mounted on a wall stud, drill two pilot holes using a 3/8" drill bit. If you are not mounting the lamp on a wall stud, drill holes to accommodate the metal toggle bolts (J), install metal toggle bolts (J) into both holes.
5. Insert both back plate screws (H) into the metal toggle bolts (J); tighten with screwdriver. Make sure both screw heads and 1/8" long threads are left outside.
6. Hook lamp base (A) to the affixed screws (H) by aligning the holes on backside of lamps (A) with both screw heads.
7. Attach cord cover (C) to the bottom threaded hole of lamp base (A) by turning (C) in counter-clockwise direction.
8. Attach cord cover (D) to (C) by turning (D) in counter-clockwise direction.
9. Attach cord cover (E) to (D) by turning (E) in counter-clockwise direction.
10. Insert bulb (not included) into socket.
11. Remove red protective plastic (G) from electrical plug (F).
12. Plug into proper electrical outlet. Installation is complete.

### To adjust lamp base height:

- Loosen the adjustment key (B) by turning counter-clockwise.
- Adjust lamp arm or socket to desired height.
- Secure by turning adjustment key (B) clockwise to tighten

### Care Instructions:

- Wipe clean using only a dry cloth. Avoid the use of all detergents and chemicals.

thank you for your purchase

stores | catalog | [www.potterybarn.com](http://www.potterybarn.com)