

SUNRISE

930 98th Ave., Oakland, CA 94603
(510) 729-7277

Waste & Overflow

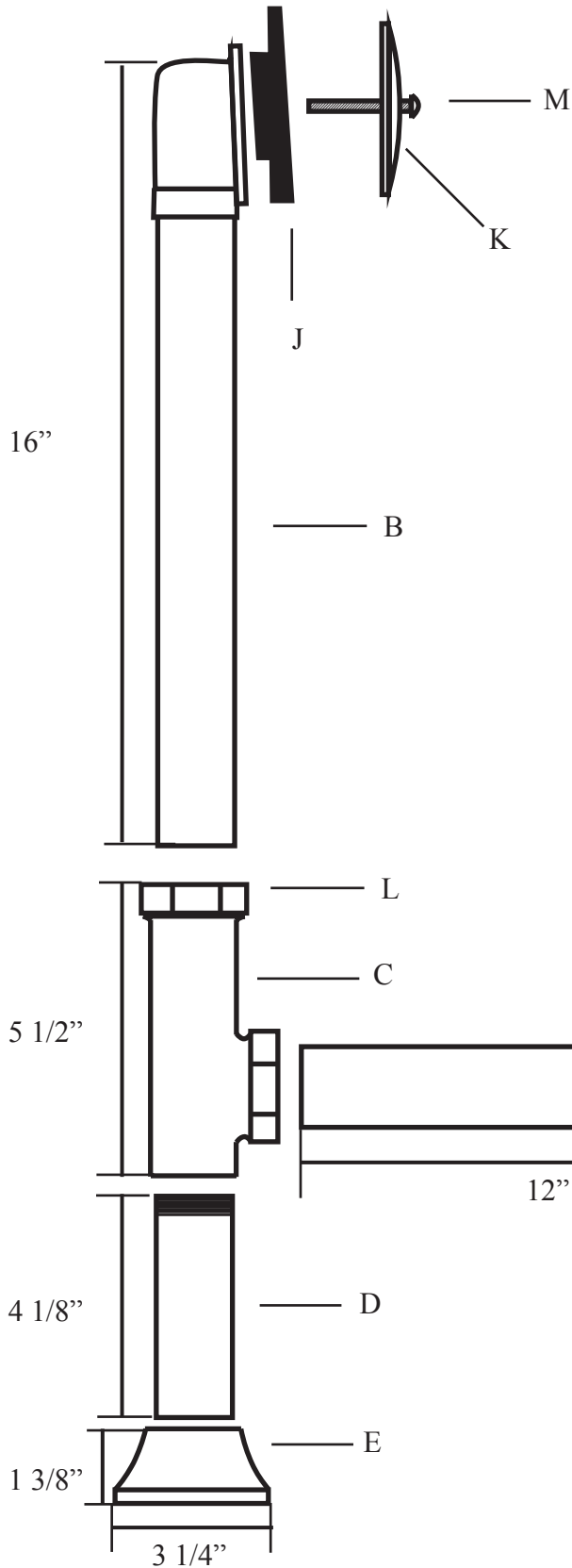
#42 Fully polished

#42-10 Fully polished for Slipper baths

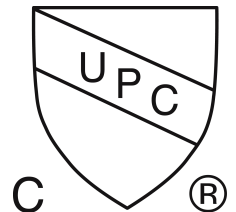
#42-60 Rough finish

PARTS LIST

A	42-1	Shoe and pipe
B	42-2	Overflow tube only
C	42-3	Drain tee only
D	42-4	Drain tail piece
E	42-5	Floor flange
F	42-11	Drain gasket
G	42-12	Waste flange post
H	42-13	O ring only for stopper
I	42-14	Stopper with O ring
J	42-21	Overflow washer
K	42-22	Overflow screen & bolt
L	42-31	Nut & washer for drain tee
M	42-24	Overflow bolt



Tubular sections are 1 1/2" o.d.



Installation should be done by a licensed plumber or contractor and not by the homeowner.

Teflon tape (not included) is recommended for all threaded connections except overflow bolt.

Thread drain tee "C" onto tailpiece "D".

Place floor flange "E" onto tailpiece "D" and insert tailpiece "D" into drain pipe in floor.

Remove nuts and washers "L" from drain tee "C".

Place one nut and washer "L" onto shoe and pipe "A".

Insert shoe and pipe "A" into drain tee "C". If the opening in the shoe does not line up with the drain hole in the tub, measure and trim the pipe.

Tighten nut and washer "L" onto drain tee "C".

Place drain gasket "F" between shoe "A" and tub. Insert waste flange and post "G" through top of drain hole in tub and thread into shoe "A".

Place overflow washer "J" onto overflow tube "B" with thick side on bottom.

Place one nut and washer "L" onto overflow tube "B".

Insert overflow tube "B" into drain tee "C". If the opening at the top does not line up with the overflow hole in the tub, measure and trim the pipe.

Tighten nut and washer "L" onto drain tee "C".

Place overflow bolt "M" through overflow screen "K" and thread into overflow tube "B".

Drain gasket on 42-10 is angled to accommodate slipper tubs.

Shipping dimensions/weight

19"x6"x5"/7 lbs.