

# POTTERY BARN

## Clara Over the Door Jewelry

### Assembly & Mounting Instructions

#### PARTS INCLUDED:

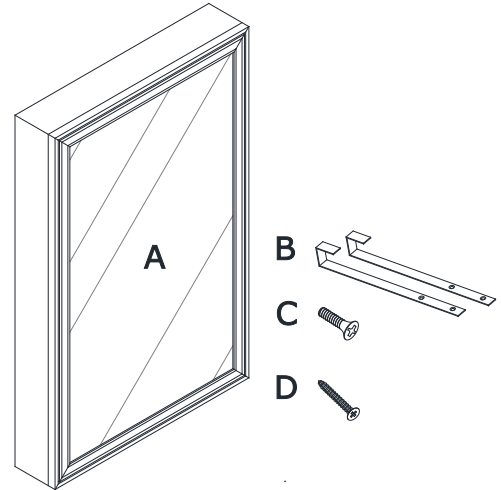
- A. (1) Mirror Cabinet
- B. (2) Hook Strips

#### HARDWARE ENCLOSED:

- C. (4) Bolt
- D. (1) Screw

#### TOOLS REQUIRED: Phillips Screwdriver

Maximum total weight capacity for this product is 20 pounds (9.1 kg).

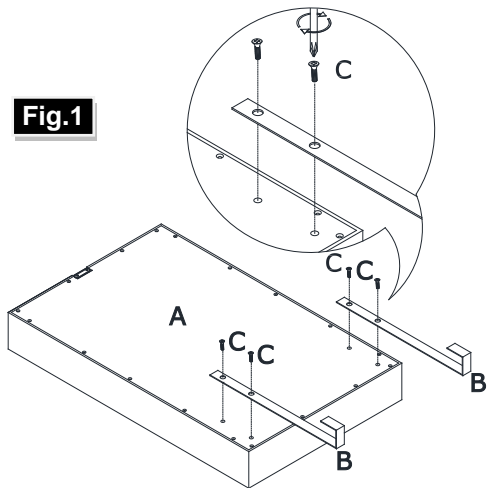


#### PRE-ASSEMBLY:

- Please read all instructions carefully before getting started.
- This item is shipped unassembled. Assembly should be done prior to mount the item on the door.
- Remove all parts and hardware from carton box and lay them out on a clear workspace.
- Do not discard any contents until after assembly / installation is completed to avoid accidentally discarding small parts or hardware.
- Do the assembly of this item on a **flat, protected surface** (e.g. a large table, floor).
- As this item is quite big and heavy, two people at least are required for the assembly and mounting.
- The use of power tools to aid in assembly is not recommended.
- The illustrations provided allow for easier assembly when used in conjunction with the assembly instructions.

#### ASSEMBLY INSTRUCTIONS:

1. Position the Mirror Cabinet (A) back side on a flat surface as shown **Fig.1**. Align the holes of Hook Strips (B) with fillister of Mirror cabinet (A) Use a Phillips screwdriver to tighten all Bolt (C) firmly.
2. Position the assembly upright and it now is ready for hang on door.



#### MOUNTING INSTRUCTIONS:

- 1) With the help of another person, hang the assembly cabinet on the door.

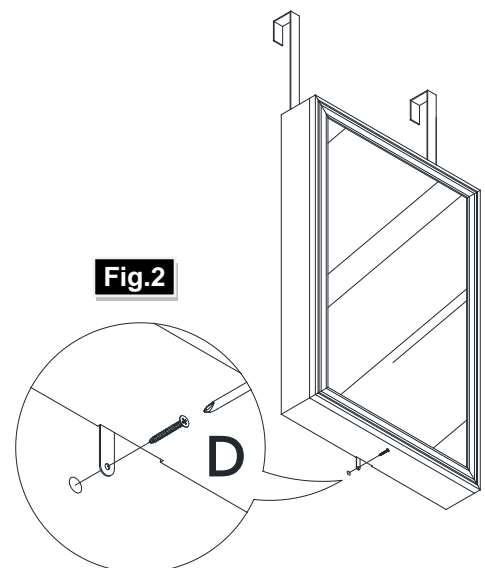
#### Secure the Tie-Down Plate to the Wall (Optional)

A tie-down plate is provided with the item to help prevent accidentally bumping the secured item hang on the door.

- 2) Rotate the tie-down plate located on the bottom of product to vertical position, as **Fig.2** shown. Use a screwdriver to secure a screw through the plate and into the door. Done!

#### CARE INSTRUCTIONS:

- Wipe with a soft, dry cloth.
- Do not use abrasive or strong chemical household cleaners.
- A household glass cleaner may be used for the mirror surface – spray the cleaner on a clean cloth first and then use the cloth to clean the glass.



Thank you for your purchase!  
Stores | catalog | [www.potterybarn.com](http://www.potterybarn.com)