

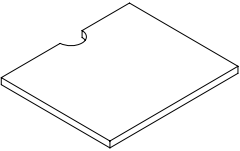
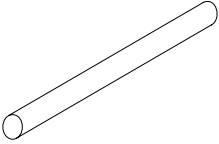
P O T T E R Y B A R N

Cynthia Wardrobe


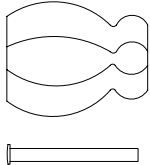
Pre-Assembly:

- Please read all instructions carefully before beginning assembly
- Save all packing materials until the wardrobe is fully assembled to avoid accidentally discarding any small parts or hardware
- Use the parts and hardware lists to identify and separate each of the components included

Parts Included:

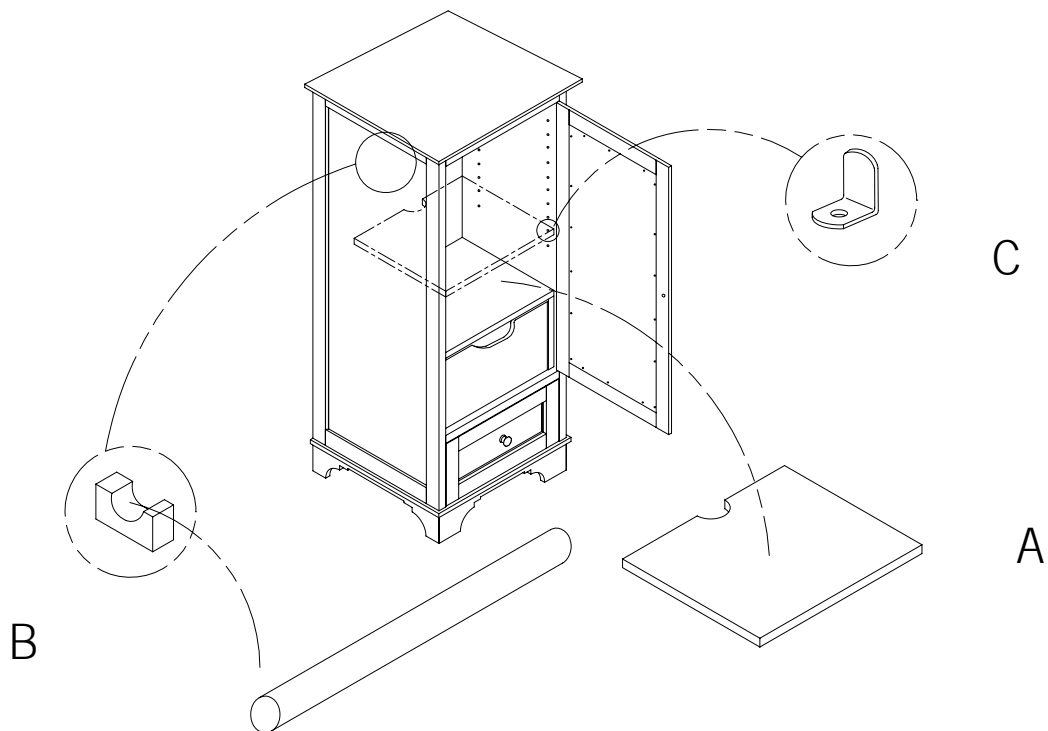
(2) Shelf - A	(1) Hanging Rod - B
	

Hardware Enclose:

(8) Shelf Pin - C	(2) Extra Glass Knob with Nut
	

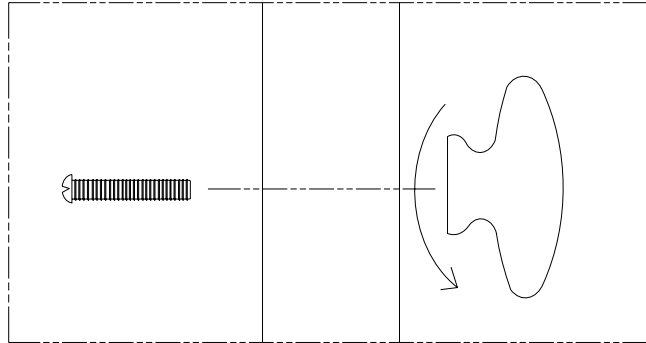
Assembly Instructions:

1. Determine the desired height for the shelves (A) using the pre-drilled holes located within the wardrobe as a guide. Insert the shelf pins (C) into the pre-drilled holes on two sides of the wardrobe until fully inserted. Carefully place the shelves (A) onto the shelf pins (C). Make sure each shelf has 4 shelf pins supporting it from below.
2. Place the hanging rod (B) onto the two pre-attached wood blocks located on the side panels of wardrobe.
3. Assembly is complete.



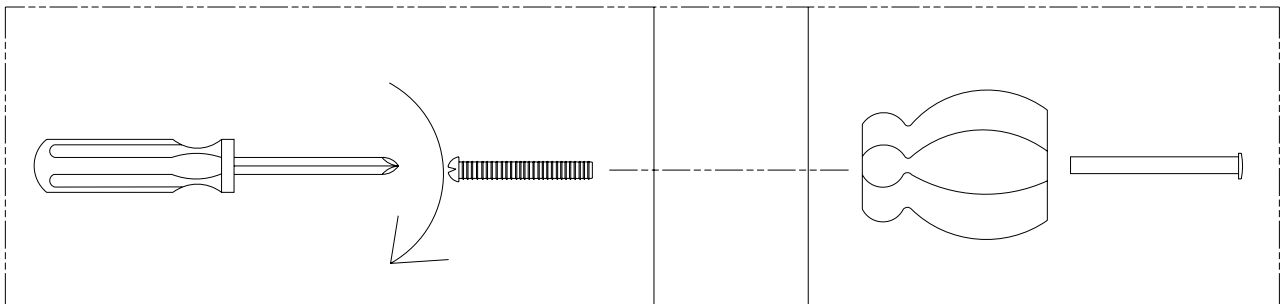
* Note: There are (2) extra glass knobs for this wardrobe. Follow the below instructions to replace the wooden knobs:

A. Remove wooden knobs: Hold the wooden knob. Unscrew by turning counter-clockwise. Keep knob for future use.



B. Attach the glass knob: Hold the glass knob against front of door and drawer. Align with pre-drilled screw hole. Insert the nut from outside. Screw from inside into the knob as shown. Tighten with screwdriver, turning clockwise.

Note: Glass knob is fragile. Use caution while attaching or detaching.



Care Instructions:

- For daily cleaning, wipe with a soft damp cloth; Wipe dry immediately.
- To protect the finish, avoid the use of chemicals and harsh cleaning agents.

thank you for your purchase

stores | catalog | www.potterybarn.com