











POTTERY BARN

Functional Shower Caddy Assembly Instructions

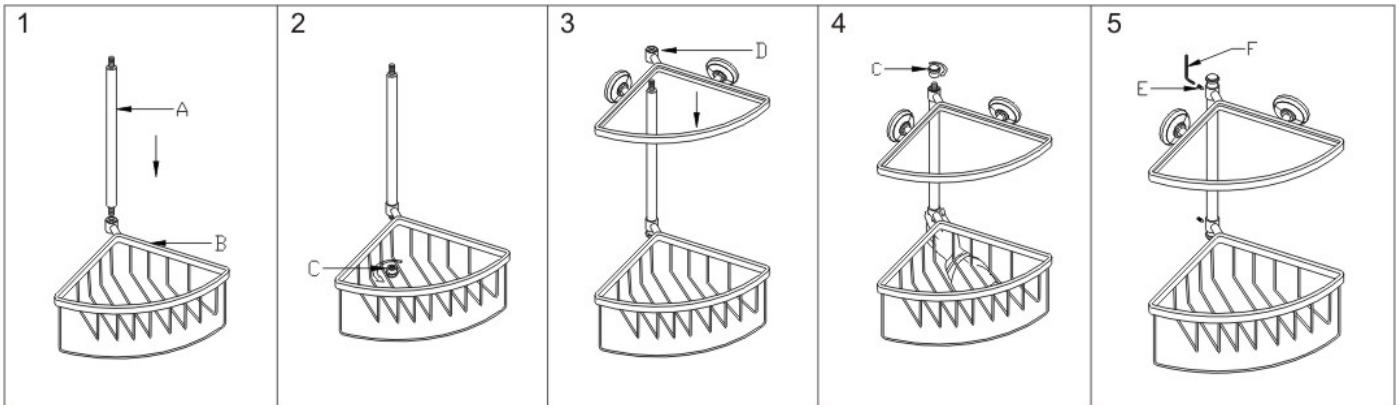
Note: For safe mounting, it is essential to use the proper hardware for your wall type. Be sure to consult your local hardware store to determine the hardware needed for your wall type (plaster, drywall, concrete, tile, etc.). These instructions are for drywall or stud mount only.

Parts Included:

				
Vertical bar A x 1	Bottom basket B x 1	Finial C x 2	Top rack D x 1	Hex screw E x 4
				
Allen wrench F x 1	Drywall anchor G x 4	Screw H x 4	Mounting plate I x 2	Tray J x 1

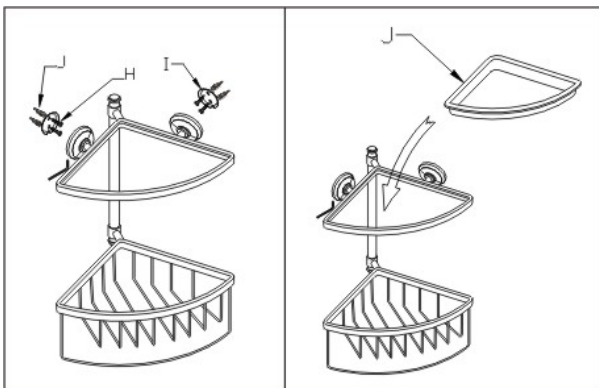
Assembling Instructions:

1. Screw the vertical bar tight onto the basket and screw the finial onto the end of vertical bar.
2. Screw the top rack tight onto the vertical bar and make sure to align the rack with the basket. Screw the finial onto the top of bar.
3. Tighten hex screws with Allen wrench to fix the basket and the rack.



Mounting Instructions:

1. Hold mounting plate at desired location. With a pencil, mark on the wall the screw hole locations. These marks will be used to determine the location of your mounting hardware.
Note: Stud mounting is always best, so try to position the mounting plate over a stud if possible. Use a stud finder to locate a stud in desired location. If there is no stud, wall anchors/metal screws are usually required.
2. Remove mounting plate. Use a carpenter's level or measure up from the floor at each mark to ensure caddy will be level.
3. For dry wall mount: use a Phillip screwdriver to insert wall anchors. Slowly turn the anchors until they are threaded into the wall.
4. Attach mounting plate using hardware provided or the proper hardware for your wall type. Slide caddy onto mounting plate. Secure by tightening hex screw with Allen wrench.



Care Instructions:

Wipe with a soft, dry cloth. To protect the finish, do not use household cleaners or abrasives.