

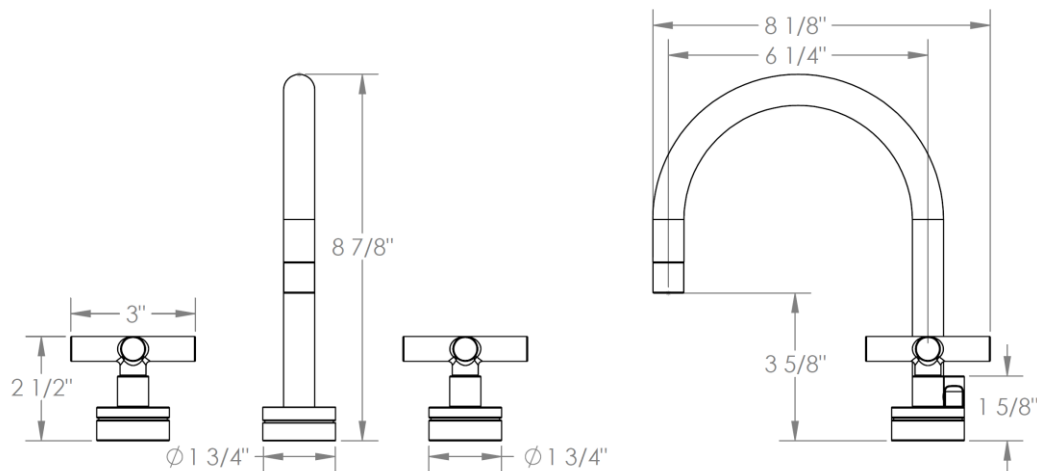
FEATURES

- ¼ turn washerless ceramic disc valve cartridges
- Flexible hose connection for 8” to 16” spread installations
- Flow rate 1.2 gpm (4.5 lpm) maximum flow rate
- Solid brass construction
- Warranty:
 - Limited lifetime warranty (residential use)
 - One year (commercial use)
- Standard finishes:
 - polished chrome
 - satin nickel
 - polished nickel
 - antique bronze
- Listed by IAPMO, CSA, NSF, and other municipalities
- Shipping weight (lbs.) 10
- Shipping dimensions (in.): 29x12x4

Parts Checklist		
Carefully remove all parts from the box. The following parts should be included.		
	Description	Qty
1	Spout	1
2	Lift Knob and Rod	1
3	O-Ring	1
4	Aerator	1
5	Aerator Shell	1
6	Horseshoe Washer	1
7	Lock Nut	1
8	Supply "T" Gasket	1
9	Supply "T"	1
10	Handle	2
11	Set Screws	2
12	Escutcheon	2
13H/13C	Hot/Cold Cartridge	2
14	Top Valve Lock Nut	2
15	Bottom Valve Lock Nut	2
16H/16C	Hot/Cold Valve	2
17	Flexible Hose	2

California Proposition 65 Warning:
This product contains brass which contains lead, a heavy metal known by the state of California to cause cancer, birth defects, and other reproductive harm.

1. **Carefully remove all parts from the box.**
2. **Begin by first installing the Spout.**
 - a. Remove the "T" Assembly (8-9), Locknut (7) and Horseshoe Washer (6) from the Spout (1).
 - b. Drop the Spout through the hole in your countertop or sink.
 - c. Tighten the Lock Nut (7) and Horseshoe Washer (6) against the underside of mounting surface.
 - d. Re-assemble "T" Assembly onto bottom of Spout.
3. **Identify your Hot and Cold Valves.**
 - a. Remove all trim from Valve Assembly (including Top Lock Nut [14] where applicable), leaving Bottom Lock Nut (15).
 - b. Begin to tighten the Valve to your countertop or sink with a Top Lock Nut (14) (Refer to Diagram) but do not tighten completely.
 - c. Install Escutcheon (12) and Handle (10) on valve body (16). Be sure that bottom of handle properly clears top of the Escutcheon. Adjust Top Locknut (14) as necessary.
 - d. Once you have adjusted the Valve height, remove Handle and proceed to tighten Valve from the bottom until it is snug.
 - e. Install Handle on the Valve.
4. **Connect the two Flex Hoses (17) to Supply "T" (9) and to the HOT (16H) and COLD (16C) valves respectively.**
These hoses can be bent or twisted, but be careful not to kink the hoses or you will have limited water supply and excessive noise from the faucet.
5. **Begin by bleeding the water lines before connecting to the valves. Connect water supplies to bottom of each valve.**
6. **Remove Aerator Assembly (3-5) and flush faucet by running both Hot and Cold water in full open position. Replace the flow restrictor.**
7. **Check for leaks. If leaks or problems occur, re-tighten all nuts before consulting a plumber.**



IMPORTANT INSTALLATION INFORMATION

- USE TEFLON TAPE OR PIPE SEALANT FOR THREADED CONNECTIONS
- DO NOT USE PLUMBER'S PUTTY ON ANY OF THE BRASS COMPONENTS
 This will cause the finish to tarnish and void the warranty. A non-corrosive Alkoxy Silicone is recommended.
- DURING SWEATING OF LINES DO NOT OVERHEAT CASTING
 Overheating may cause damage to internal mechanism
- COPPER ADAPTORS MAY BE REQUIRED TO COMPLETE YOUR INSTALLATION

For technical support, please call 1-888-779-5176