

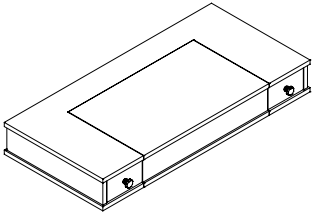
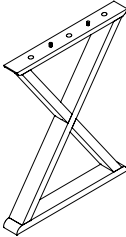
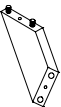
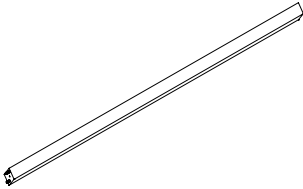
# POTTERY BARN

## Madeline Make up Stand Assembly Instructions



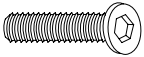

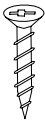
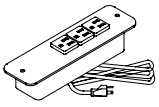
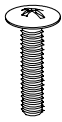

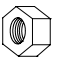
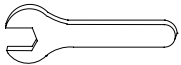
### Pre-Assembly:

- Please read all instructions before beginning assembly
- Use the parts and hardware lists to identify and separate each of the components included.
- Save all packing materials until the assembly is complete to avoid the accidental discarding of smaller parts or hardware.
- For your safety, assembly by two people is recommended.

### Parts Included:

(1) Top - A 	(2) X-Leg - B 
(2) Angle Block - C 	(1) Stretcher - D 

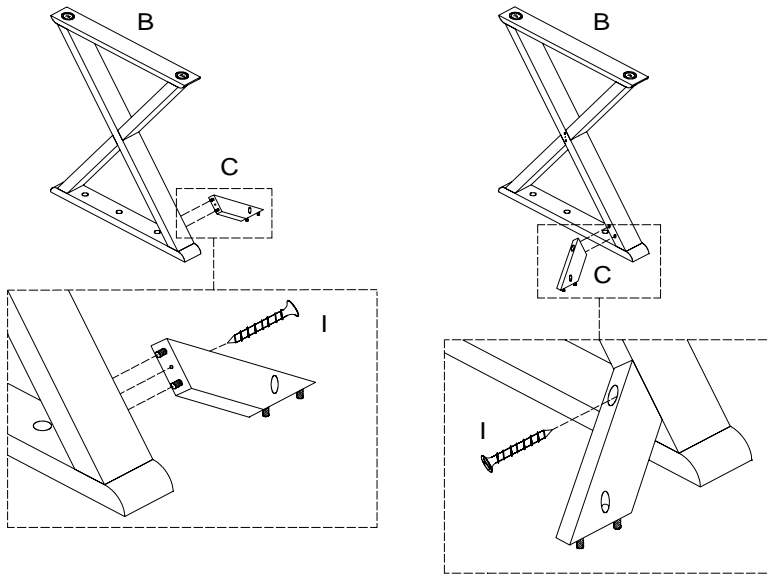
### Hardware Enclosed:

(6) Flat Washer -E 	(6) Lock Washer -F 	(6) Allen Bolt -G (M8 x 32 mm) 	(1) Allen Key -H 
(6) Wood Screw -I (8 x 45 mm) 	(1) Cord Set -J 	(2) Pan Head Screw - K (5/32" x 22mm) 	(2) Small Washer - L 
(2) Small Nut - M 	(1) Wrench - N 		

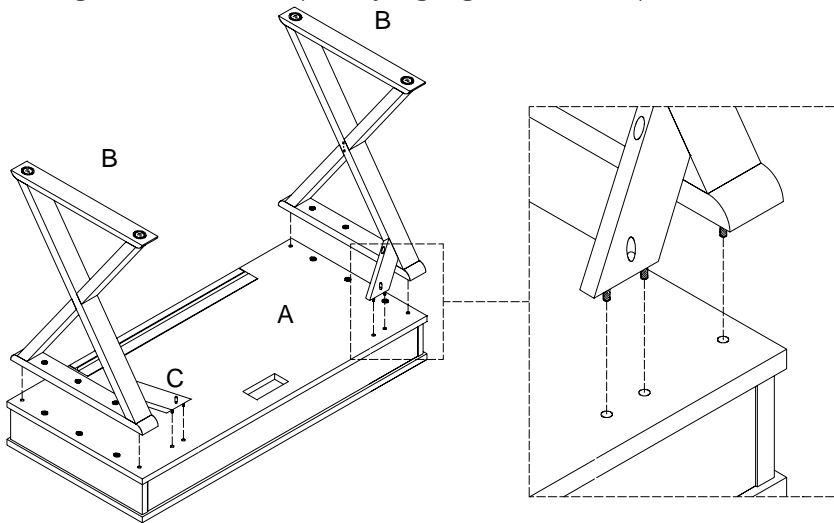
Tool need for assembly: Phillips Head Screwdriver (Not included)

### Assembly Instructions:

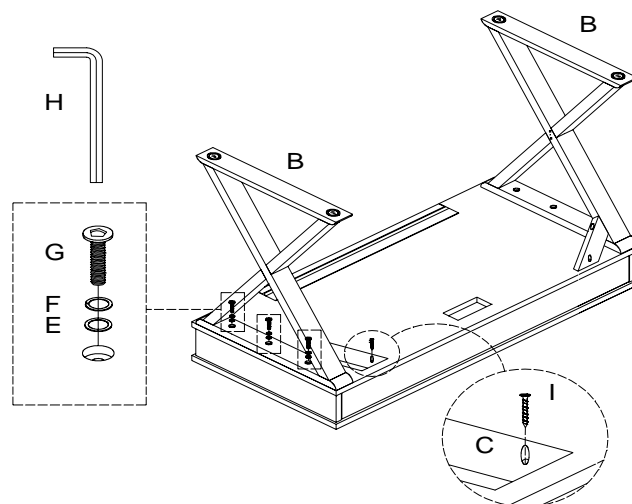
1. Attach the angle block (C) to the leg (B) by inserting the dowel into pre-drilled hole. Use wood screw (I) to secure, but do not tighten.



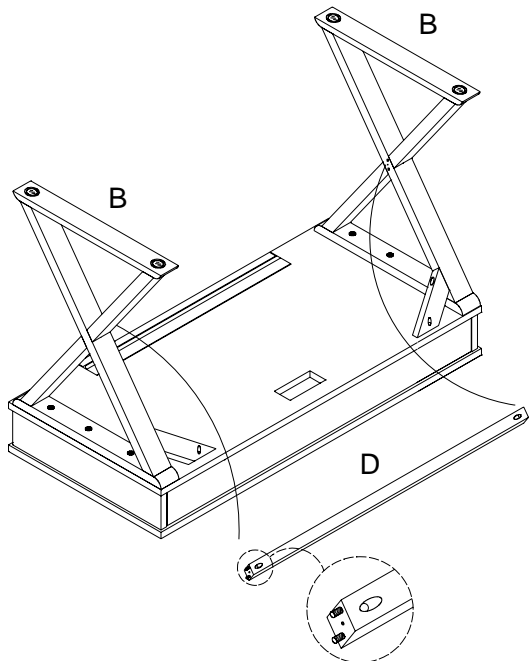
2. Carefully turn top upside down and place on a soft, scratch-free surface such as a carpet or rug. Place legs with angle blocks onto the top (A) by aligning the dowel and pre-drilled holes.



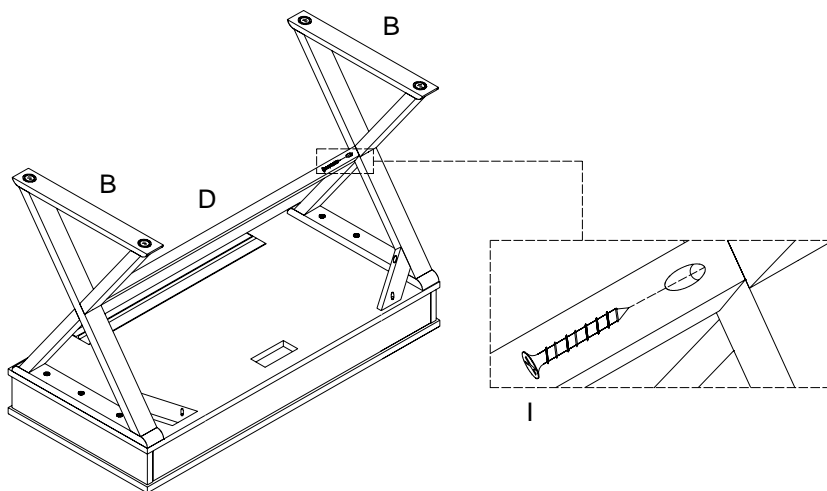
3. Insert the Flat Washer (E), Lock Washer (F) and Allen Bolt (G) into the pre-drilled holes on both legs. Use Allen Key (H) to secure. Insert the wood screw (I) into the angle blocks (C). Secure with a Phillips head screwdriver. **Do not tighten bolts and screws.**



4. Attach the stretcher (D) between the X-Leg (B) by inserting the dowel into the pre-drilled hole.



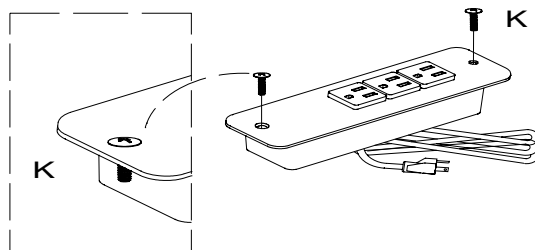
5. Secure the stretcher (D) to the leg (B) with wood screw (I), but do not tighten.



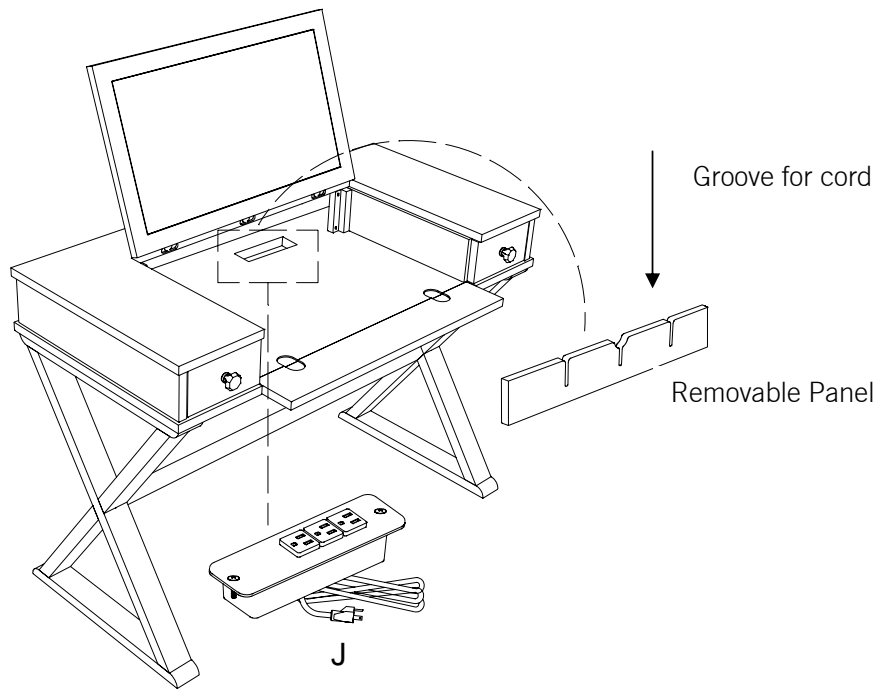
6. Check all the assembly to ensure the parts are attached properly. Now, secure all the bolts and screws.

7. Carefully turn the table upright, taking care to hold the center top closed while moving.

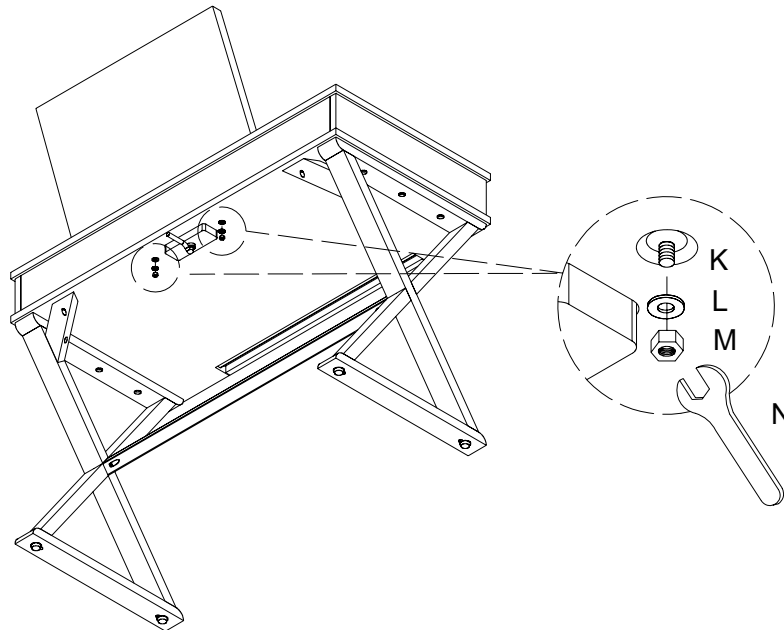
8. Insert the Pan Head Screws (K) into the pre-drilled holes on the Cord Set.



9. A panel with grooves for cords is held by a magnet under the top back. Take panel out to access the cut-out behind. Insert the Cord Set (J) with Screw (K) into the cut out and the predrilled holes.



10. Secure the Pan Head Screws with Small Washer (L) and Nut (M) from the bottom of the table with wrench (N).



11. If the table doesn't sit level, adjust the levelers under the legs. Assembly is complete.

Care Instructions:

- Read instructions on the cord set before usage.
- For daily cleaning, wipe with a soft damp cloth. Wipe dry immediately.
- To protect the finish, avoid the use of chemicals and harsh cleaning agents.

thank you for your purchase  
stores | catalog | [www.potterybarn.com](http://www.potterybarn.com)