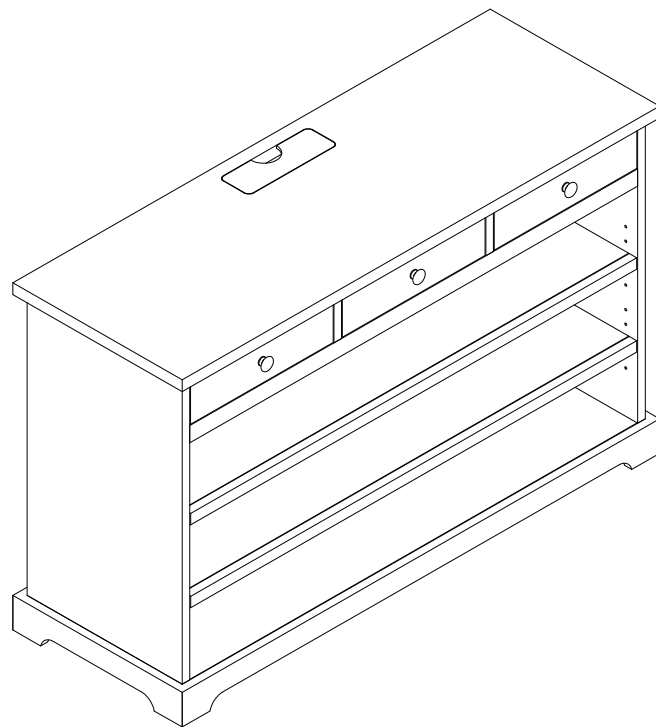


POTTERY BARN



SAMANTHA SMART CONSOLE

Important Safety Instructions:

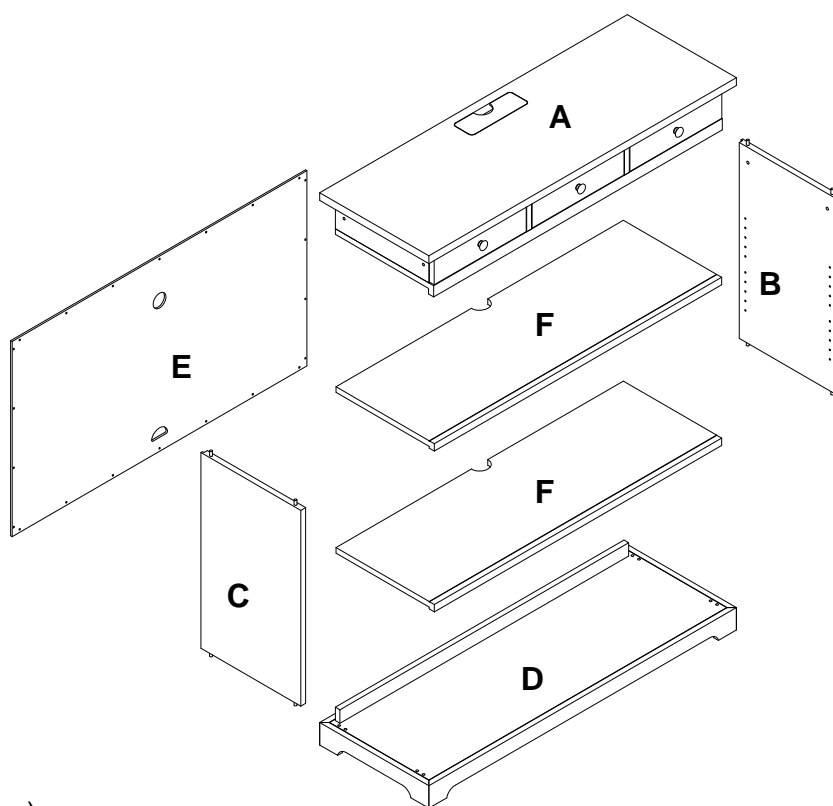
- Please read all instructions carefully before assembling.
- For your safety, assembly by two or more adults is strongly recommended.
- Keep instructions for future use.
- Use only vendor supplied hardware to assemble. Using unauthorized hardware could jeopardize the structural integrity of the item.
- **WARNING:** INSTALLING AN ANTI-TIP KIT IS STRONGLY RECOMMENDED TO PREVENT INJURY FROM TIPPING FURNITURE.

Pre-assembly:

- Remove all parts and hardware from the box and lay out on a clear carpeted or scratch-free work surface, as this will avoid damaging parts during assembly. The shipping box provides an ideal work surface.
- Do not dispose of any packaging or contents of the shipping carton until assembly is completed to avoid accidentally discarding small parts or hardware.
- Use the parts and hardware lists below to identify and separate each of the pieces included.
- The illustrations provided allow for easier assembly when used in conjunction with the assembly instructions.
- The use of power tools to aid in assembly is not recommended. Power tools can damage hardware and split wood.

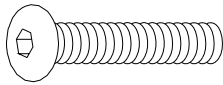

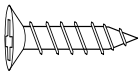
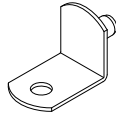
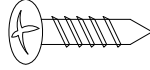
Parts Included:

- (A) Top Frame 1x
- (B) Right Side Panel 1x
- (C) Left Side Panel 1x
- (D) Bottom Panel 1x
- (E) Back Panel 1x
- (F) Adjustable Shelf 2x

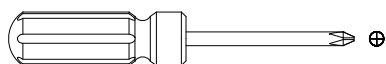


Hardware Included:

- Anti-tip kit (with separate instructions)

<p>(G) Bolt</p>  <p>Dia. 1/4"x1-1/8"</p> <p>8x</p>	<p>(H) Allen Key</p>  <p>4mm</p> <p>1x</p>	<p>(I) Flat Head Screw</p>  <p>#8X16mm</p> <p>27x</p>	<p>(J) Shelf Pin</p>  <p>5mm</p> <p>8x</p>	<p>(K) Round Head Screw</p>  <p>Dia.3 x 16 mm</p> <p>8x</p>
---	---	--	---	--

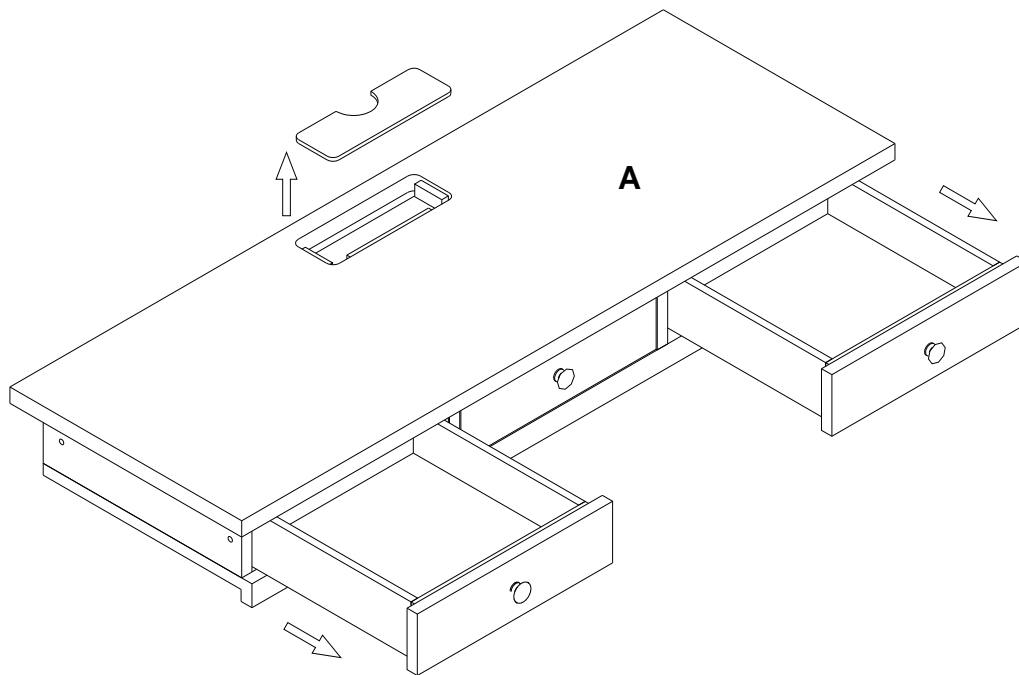
Tools Required (not included):



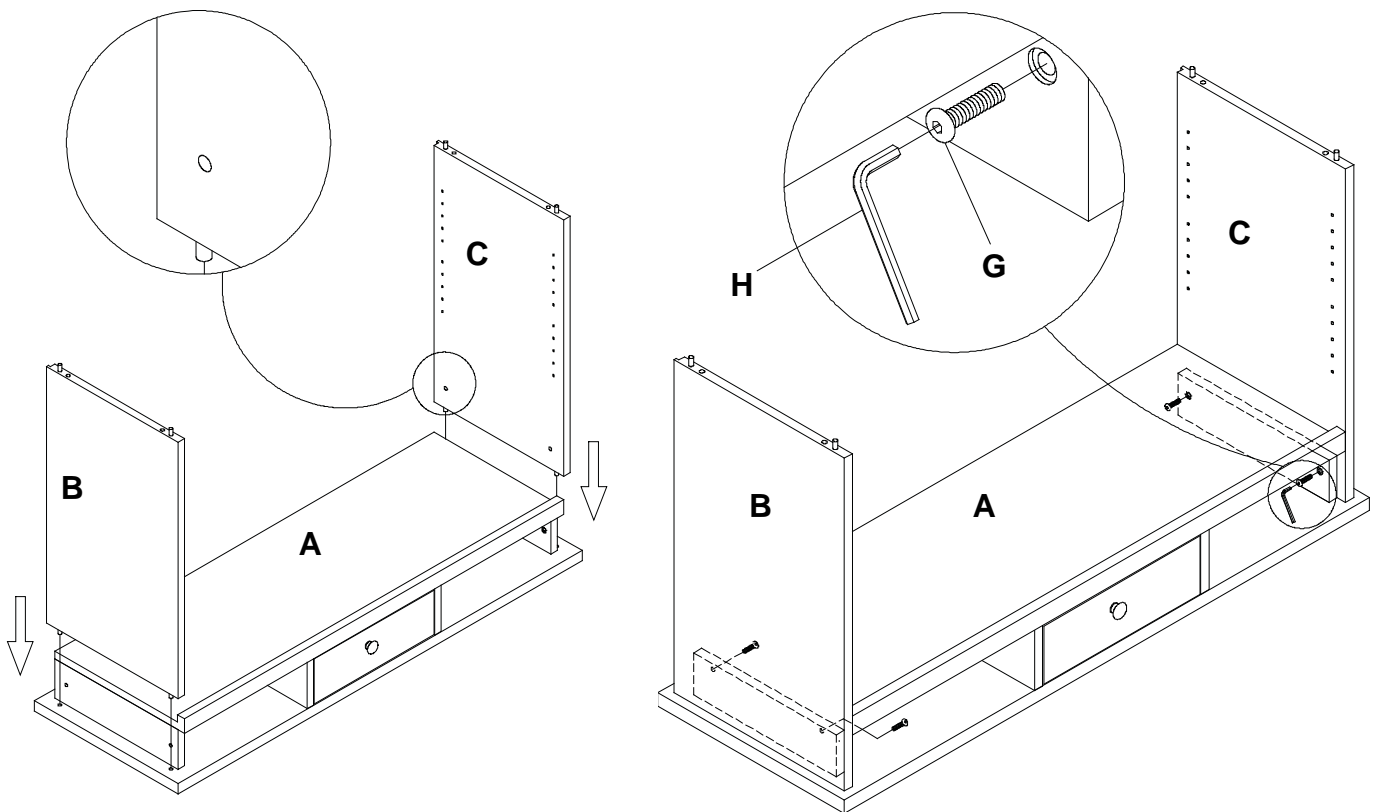
Philips Head Screwdriver

Assembly Instruction Steps:

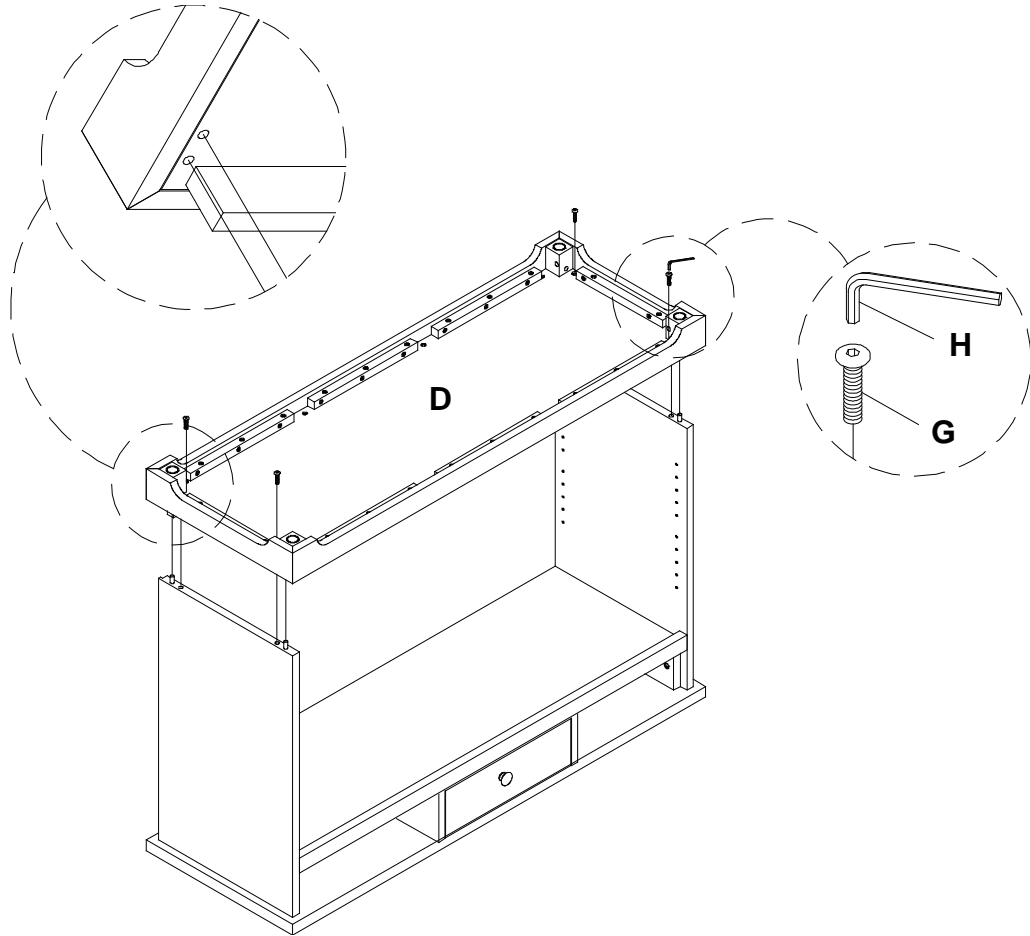
1. Pull out the two side drawers with some effort, and take out the removable cover as shown.



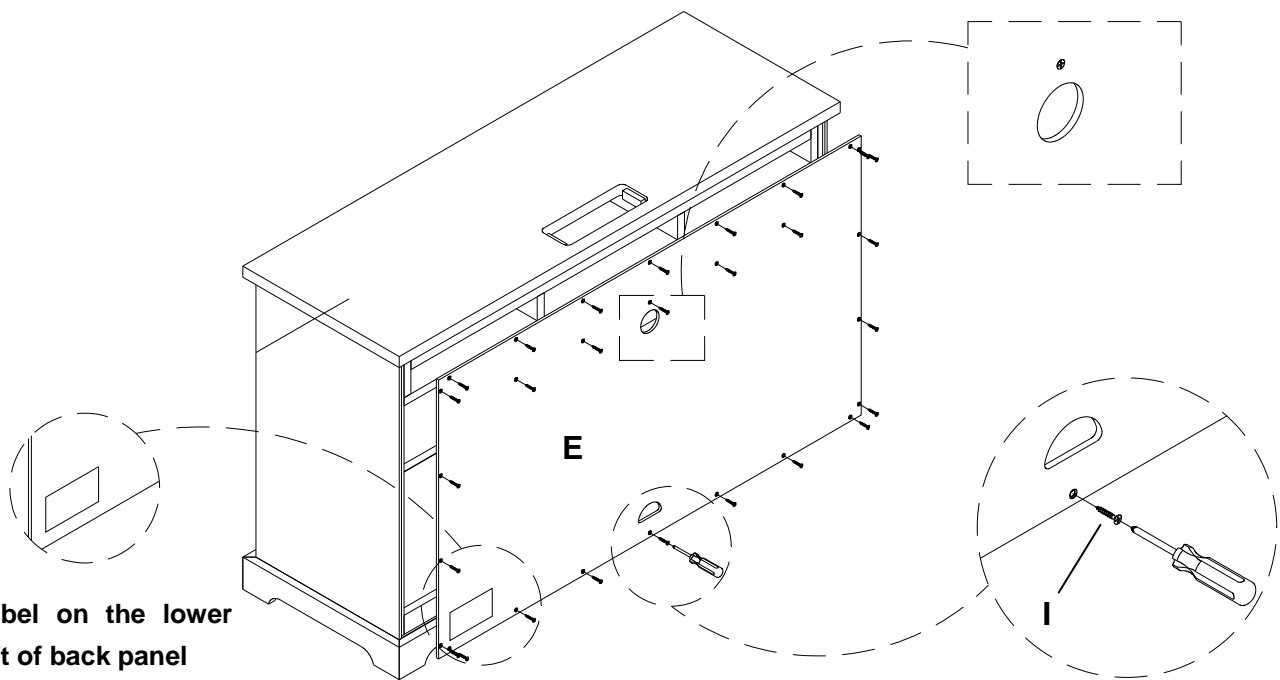
2. Carefully turn the Top Panel (A) upside down on soft, scratch-free surface such as a carpet or rug. Attach the Left Side Panel (C) and Right Side Panel (B) to the Top Frame (A) using Bolt (G). Tighten by hand at first, securely tighten all bolts with Allen Key (H), but do not over tighten.



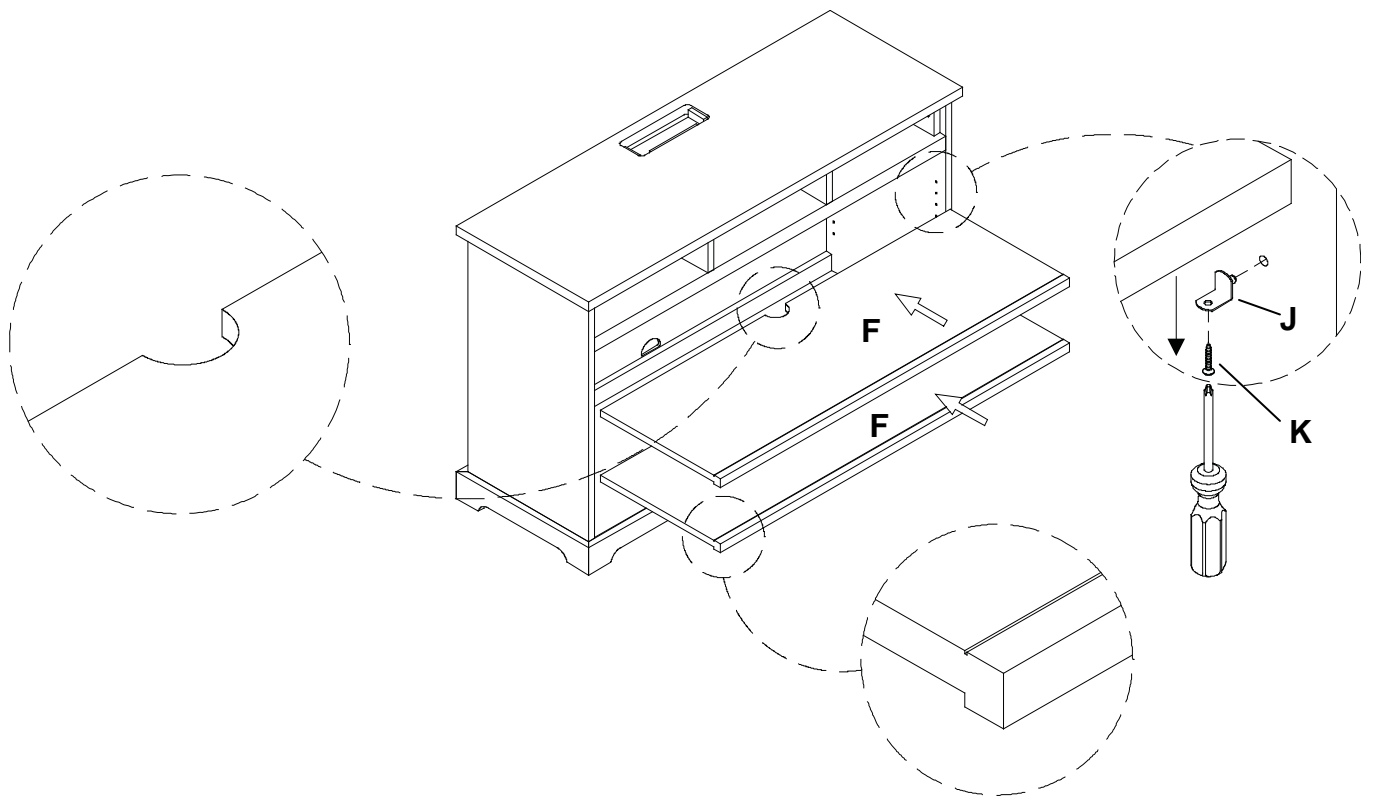
3. Attach the Bottom Panel (D) to the assembly using the Bolt (G). Tighten by hand at first, securely tighten all bolts with Allen key (H), but do not over tighten.



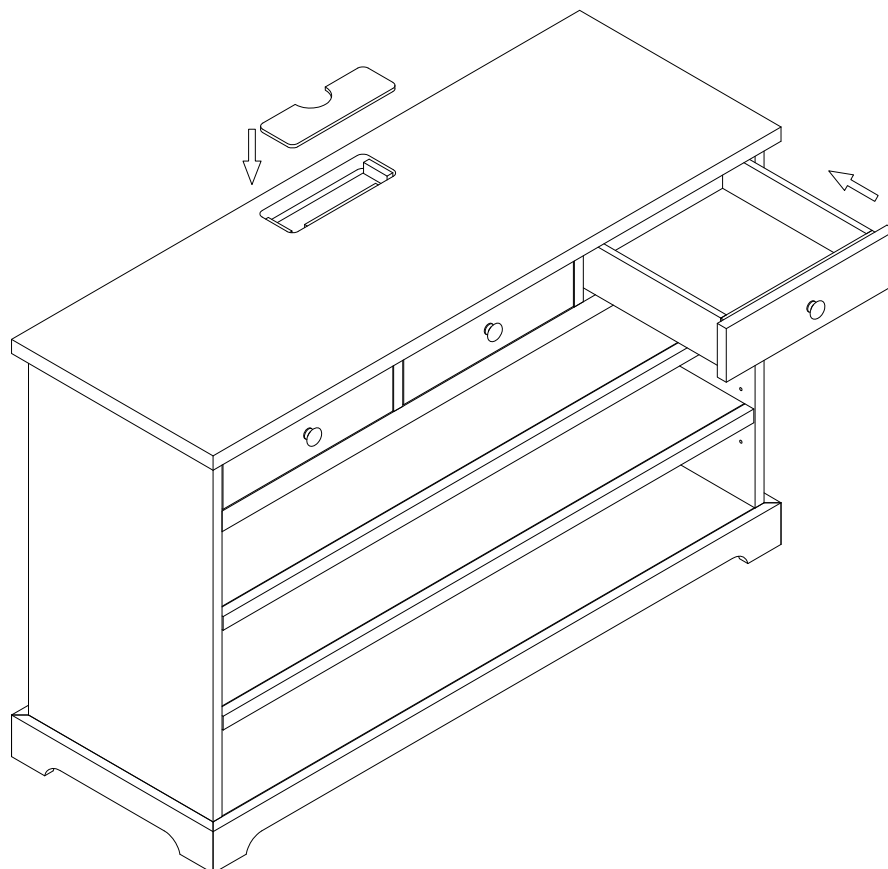
4. Attach the Back Panel (E) to the assembled bookcase using the Flat Head Screw (I), tighten with Philips Head Screwdriver, but do not over tighten.



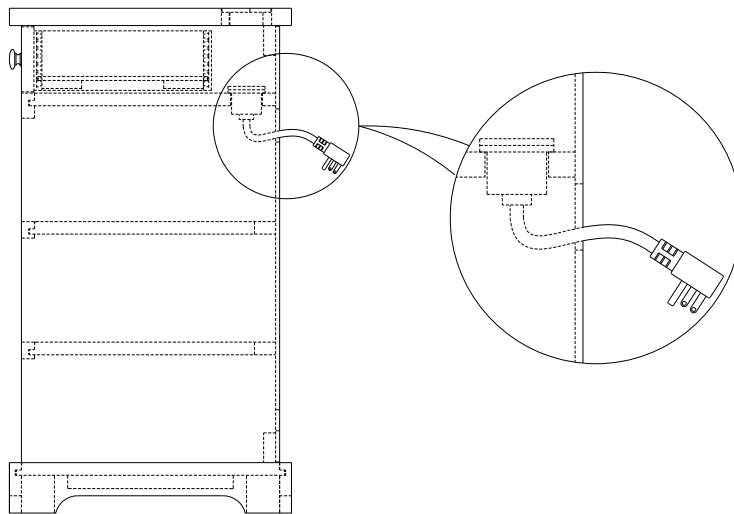
5. Insert the Shelf Pins (J) into the pre-drilled holes at desired height, gently lay the Adjustable Shelf (F) onto the Shelf Pins (J). Screw the shelf with Round Head Screw (K) as shown, and tighten with Philips Head Screwdriver.



6. Insert and push the three drawers with some effort, and put the removable cover back to the top panel.



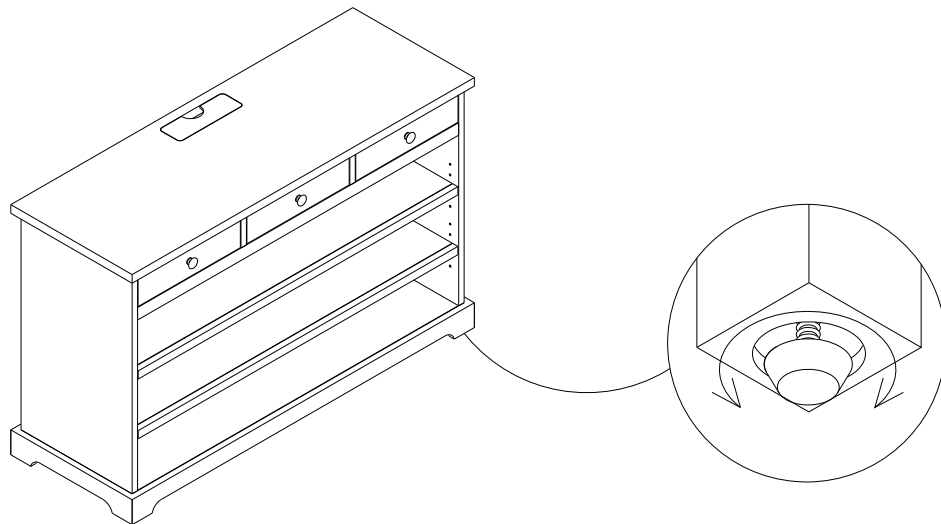
7. Power Plug can through the middle hole on back panel if needed.



Adjusting the levelers:

Due to an uneven floor, the furniture may not sit level due causing it to wobble. If the furniture wobbles, determine which corner does not touch the ground correctly. With two people follow these steps:

- 1) Carefully elevate the item slightly to provide access to the levelers attached to the bottom.
- 2) Turn the levelers until adequate contact will be made with the floor. Gently set down the piece and check stability.
- 3) Repeat steps until furniture sits firmly on the ground.



Care Instructions:

- Dust often using a clean, soft, dry and lint-free cloth.
- Blot spills immediately and wipe with a clean, damp, cloth.
- We do not recommend the use of chemical cleansers, abrasives or furniture polish on our lacquered finish.
- Hardware may loosen over time. Periodically check to make sure all connections are tight.
Re-tighten if necessary.

Thank you for your purchase
Stores | catalog