

POTTERY BARN

SEVILLE SINK CONSOLE

PROFESSIONAL INSTALLATION REQUIRED – contractor and plumber needed for installation

Important Note: Please read all instructions carefully and completely before beginning assembly.

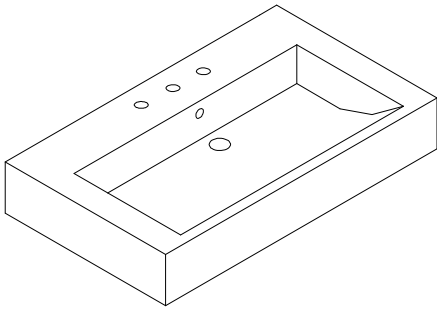
Pre-Installation:

- Remove all parts and hardware from boxes along with any protective packaging. Identify each part and each piece of hardware included. Do not discard any contents until after installation is complete to avoid accidentally discarding small parts or hardware. Keep all parts out of the reach of children.
- A standard 8" spread faucet should be used with this sink console.

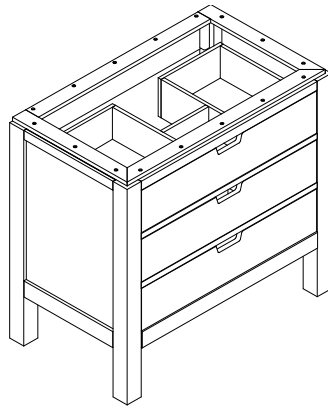
Note: Consoles need to be leveled and mounted to both wall and floor. Some hardware items needed for proper assembly and installation are not included: ex. shim, spacer, high quality silicone or acrylic based bath sealant, etc.

NOTE: Avoid moving the top after it has been set into place.

Parts Included:



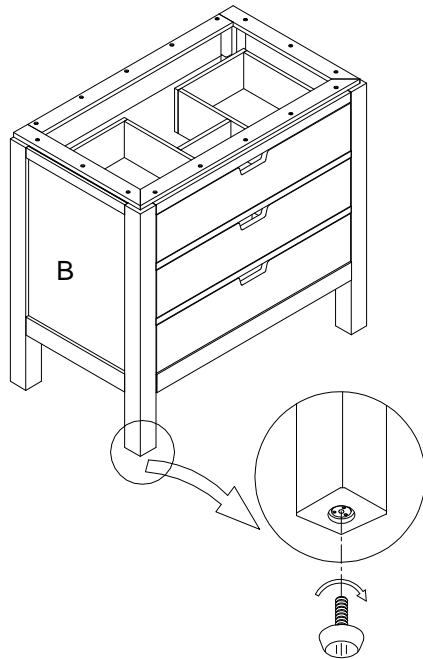
A. Square Basin (1PC)



B. Console Base (1PC)

Leveler adjustment: Levelers are pre-installed on the legs and adjust as needed to make sure the console is level.

Turn counter-clockwise to increase height, clockwise to decrease height.



P O T T E R Y B A R N

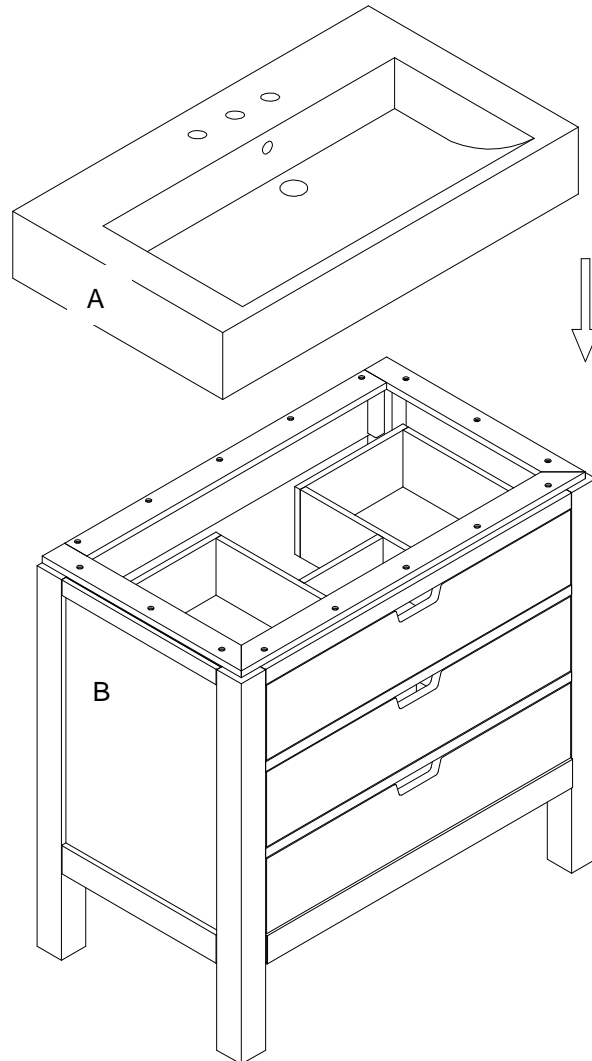
SEVILLE SINK CONSOLE

Step 1:

-Apply a high quality silicone or acrylic based bath sealant to the corners of the basin rim where it will contact the base. Place basin flat on console base. Avoid moving the basin after it has been set into place.

-Open console's top drawer to provide working space for installation of faucet and water supply.

-Install faucet on basin first, then place basin (A) flat on console base (B).



Console Care: Wipe cabinet with a soft, dry cloth. To protect the finish, avoid the use of all chemical and household cleaners and abrasives as they may damage finish.

thank you for your purchase
stores | catalog | www.potterybarn.com

POTTERY BARN

SEVILLE SINK CONSOLE

Back view

