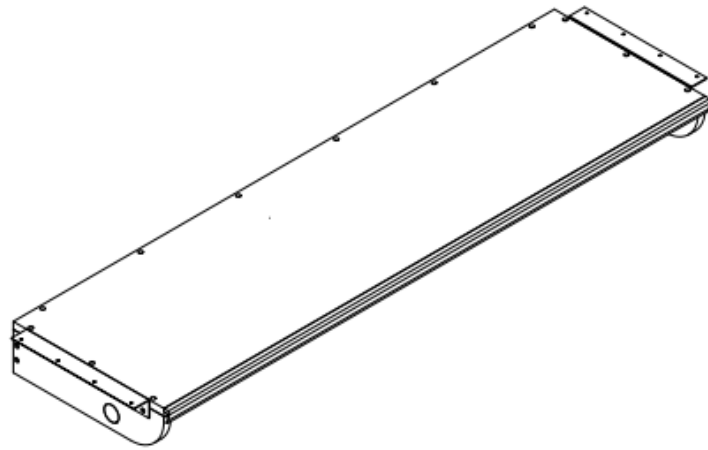


POTTERY BARN



SUTTON DOUBLE WIDE HANGING STORAGE

Important Safety Instructions:

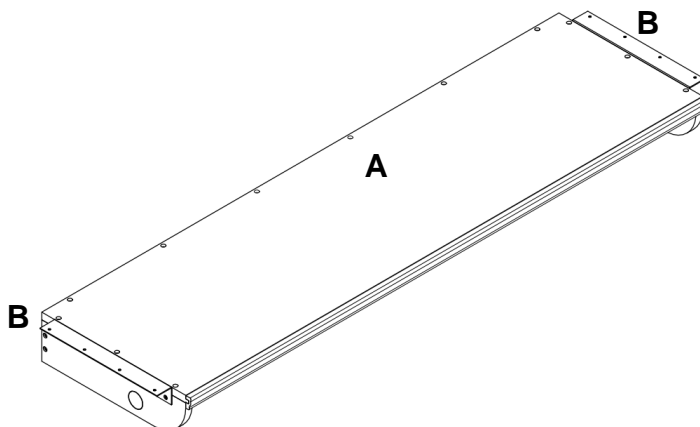
- Please read all instructions carefully before assembling this item.
- Keep this instruction for future use.
- Use only vendor-supplied hardware to assemble this item. Using unauthorized hardware could jeopardize the structural integrity of the item.

Pre-assembly:

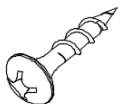
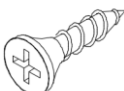
- Remove all parts and hardware from the box. Place all items on a carpeted or scratch-free work surface, as this will avoid damaging parts during assembly. The shipping box provides an ideal work surface.
- To avoid accidentally discarding small parts or hardware, do not dispose of any packaging or contents of the shipping carton until assembly is complete.
- Use the parts and hardware lists below to identify and separate each of the pieces included.
- The illustrations provided allow for easier assembly when used in conjunction with the assembly instructions.
- The use of power tools to aid in assembly is not recommended. Power tools can damage the hardware and split the wood.

Parts Included:

- (A) Hanging Storage - 1x
- (B) Metal Bracket – 2x



Hardware Enclosed:

(C) Pan head Wood Screw 8x	(D) Flat head Wood Screw 8x
	

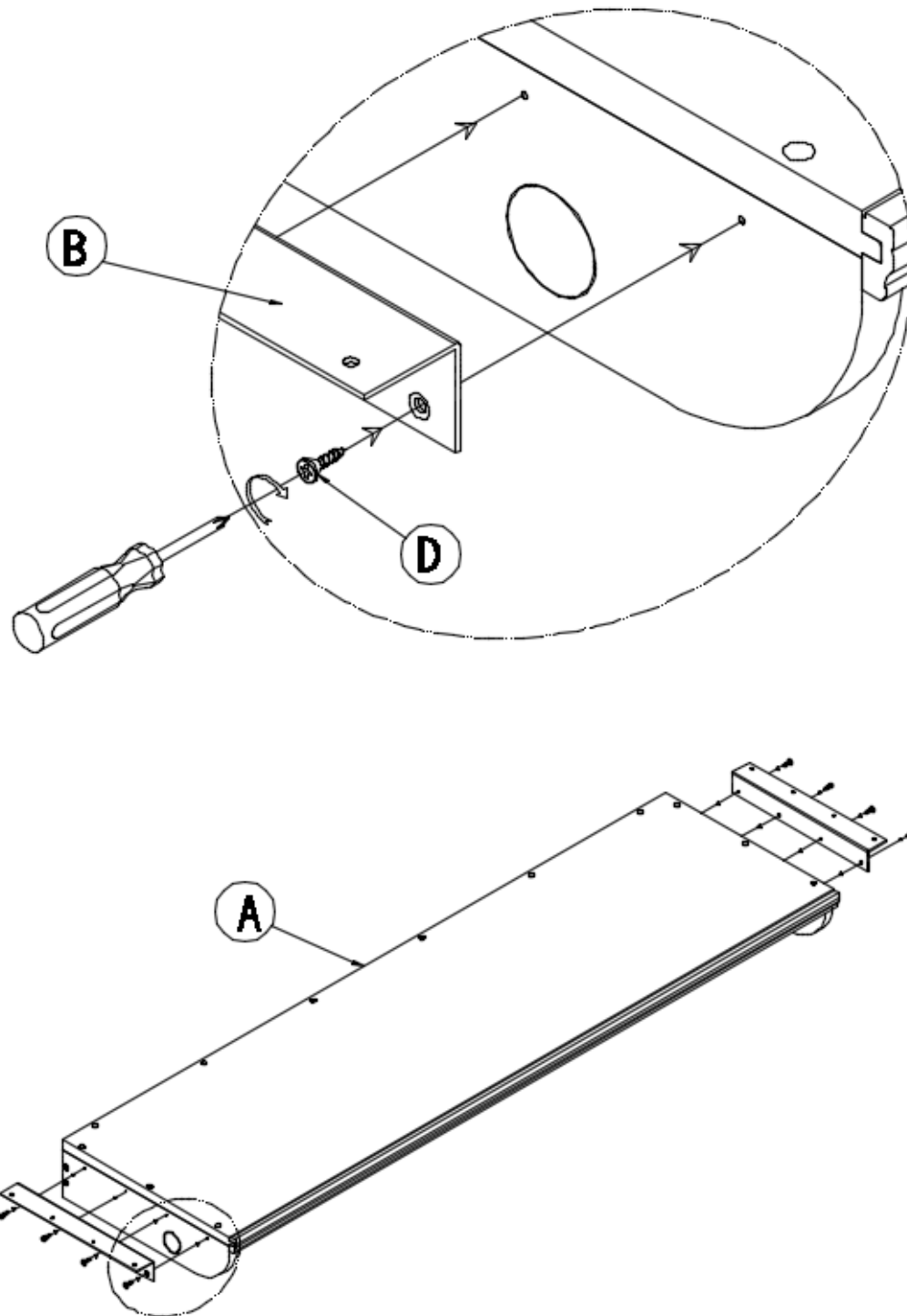
Tools Required (not included):



Phillips Head Screwdriver

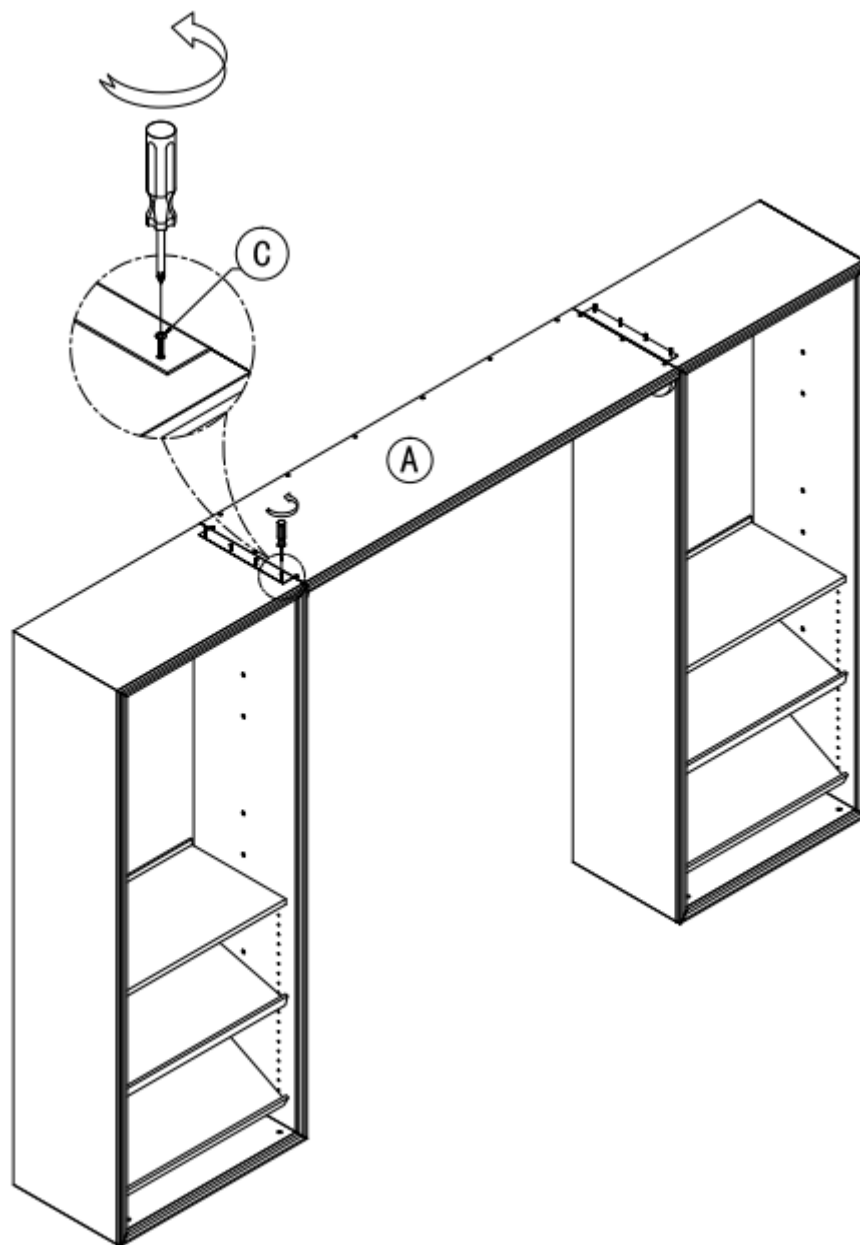
Assembly Instruction Step:

1. Place Hanging storage (A) on a scratch free surface such as carpet or the foam from inside the shipping box.
2. Attach Metal Bracket (B) to Hanging Storage (A), by insert Flat head screw (D) through each of the pre-drilled holes on the Metal Bracket and into the pre-drilled hole on the side of Hanging Storage, as seen in the illustration below.
3. Tighten each Screw (D) with a Philips Head Screwdriver.



NOTE: the Sutton Hanging Storage is designed to attach the Sutton Tall Hanging Storage (sold separately).

4. Place the assembled portion onto the top of Sutton Tall Hanging Storage. Make sure front molding of Hanging Storage (A) flushed with front molding of Sutton Tall Hanging Storage.
5. Insert Pan Head Screw (C) through each of the pre-drilled holes on the Metal Bracket, as seen in the illustration below.
6. Tighten each Screw (C) with a Philips Head Screwdriver.
7. Assembly is completed.



Care Instructions:

- Dust often using a clean, soft, dry, and lint-free cloth.
- Blot spills immediately and wipe with a clean, damp cloth.
- We do not recommend the use of chemical cleansers, abrasives, or furniture polish on our lacquered finish.
- Hardware may loosen over time. Periodically check to make sure all connections are tight. Re-tighten if necessary.

Thank you for your purchase
Stores | catalog
www.potterybarn.com