

# P O T T E R Y B A R N

## Classic Bath Shelf Assembly Instructions

Note: For safe mounting, it is essential to use the proper hardware for your wall type. Be sure to consult your local hardware store to determine the hardware needed for your wall type (plaster, drywall, concrete, etc.) Mount to wood studs whenever possible.

### Important Safety Instructions:

- THE RATED LOAD FOR THE SHELF IS APPROXIMATELY 35 POUNDS
- Please read all instructions carefully before assembling.
- For your safety, assembly by two people is recommended.

### Parts Included:

- (1) Bath Shelf (A)

### Hardware Enclosed:

- (1) Template (B)
- (2) Drywall anchors (C)
- (2) Screws (D)

### Tools Required:

- Screwdriver (not included)

### Pre-Assembly:

- Remove all parts and hardware from the box and lay out on a clear workspace, along with any plastic protective packaging. Do not dispose of any contents until assembly is complete to avoid accidentally discarding small parts or hardware.
- Use the parts and hardware lists above to identify and separate each of the pieces included.
- The illustrations provided allow for easier assembly when used in conjunction with the assembly instructions.

### Assembly Instructions:

1. Place template against wall. Use a level to ensure the insertion points are level. Mark the hole locations on the wall with a 19.53" distance between each point. This is where the hardware will be inserted. See Figure 1.

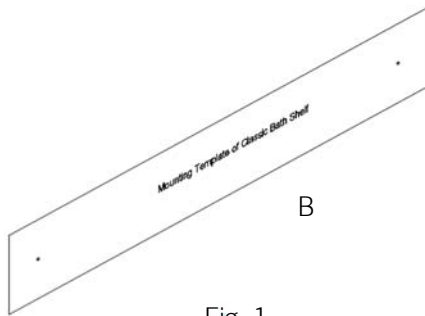


Fig. 1

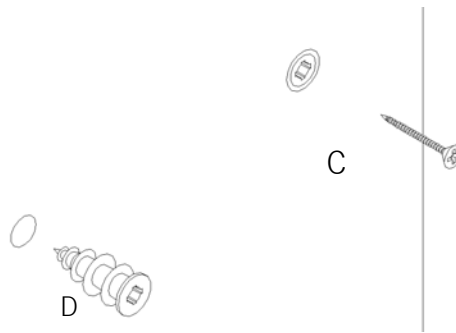


Fig. 2

2. Using a Phillips head screwdriver insert the drywall anchors directly into the wall at the two pencil marks. Do not "push" the anchor; it is designed to bore into the wall like a drill bit. Slowly turn the anchor clockwise while applying pressure until the flange just touches the wall.
3. Insert the metal screws into the wall anchor holes. Using a screwdriver, turn the screws clockwise until securely in place.
4. Turn the bath shelf (A) over on a carpeted or scratch free surface. Raise the support shelves to the open position. See Figure 3.
5. Mount shelf by fitting the lower hole of keyholes over screw heads and sliding shelf until the top of the keyholes rest on the screws. You may need to tighten or loosen screws to allow shelf to fit snugly against the wall. See Figure 4

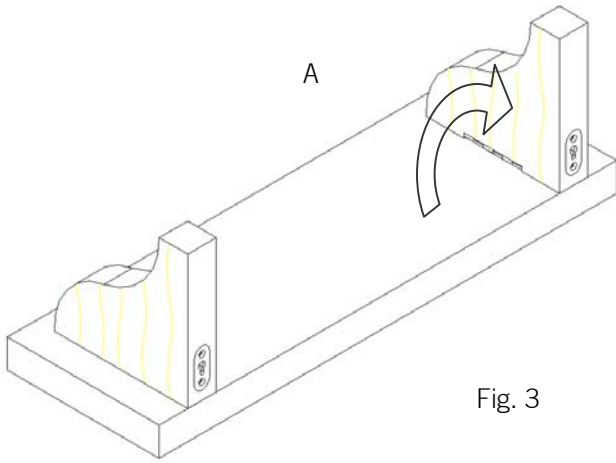


Fig. 3

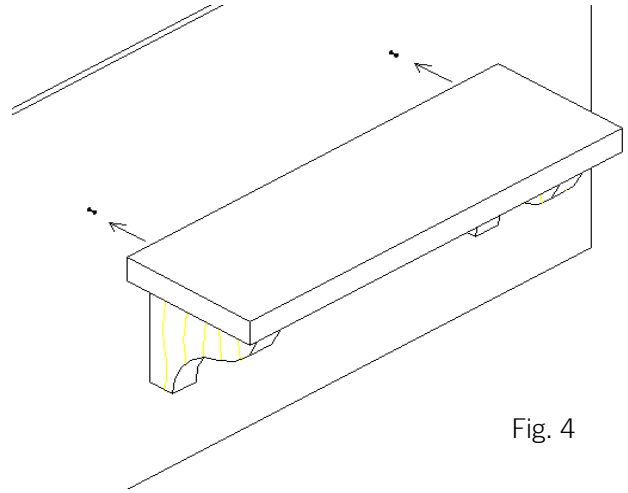


Fig. 4

Care Instructions:

- Dust with a clean, soft cloth
- Avoid the use of chemicals and harsh cleaning agents

Thank you for your purchase  
stores | catalog | [www.potterybarn.com](http://www.potterybarn.com)