

P O T T E R Y B A R N

Hotel Nickel Stool Assembly Instructions

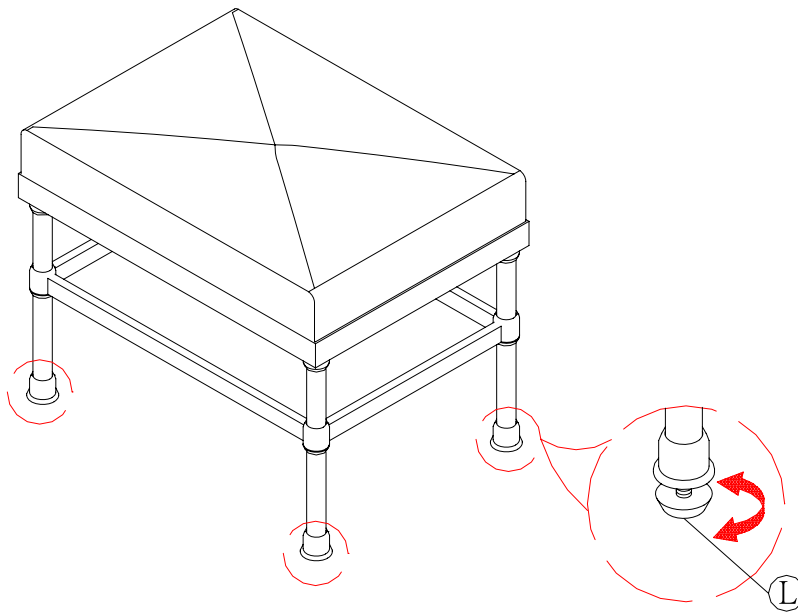
- Please read all instructions before assembly.
- For your safety, assembly by two people is recommended.
- Save all packing materials until assembly is complete to avoid the accidental discarding of smaller parts or hardware.

Parts Included:

- (1) Stool with Cushion (the cushion cover is separately sold)

Assembly Instruction:

1. If the floor is uneven, adjust the recessed levelers pre-installed to the underneath of the legs. To do this, carefully grasp one side of the stool and elevate it slightly to provide access to the levelers. Turn the levelers until adequate contact is made with the floor. Carefully set the stool down. Repeat until the stool is level and stable.



Care Instruction:

Dust with a soft dry or slightly damp cloth. Avoid the use of cleaners and polishes.

thank you for your purchase
stores | catalog | www.potterybarn.com