

# P O T T E R Y B A R N

## Hudson Bookshelf Assembly Instructions

### Pre-assembly:

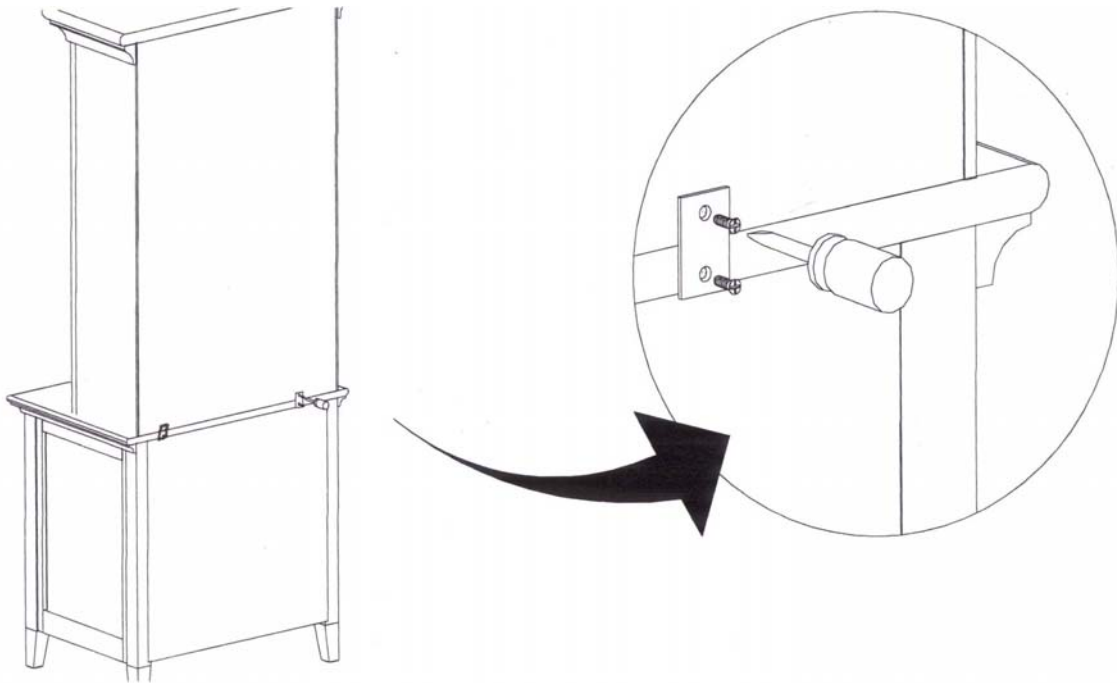
- Please read all instructions carefully before beginning assembly.
- For your safety and ease, assembly by two people is recommended.

Parts included: (1) Bookshelf top (1) Bookshelf base

Hardware included: (2) Plates (4) Screws

### Assembly instructions:

1. Carefully place the bookshelf top onto the bookshelf base.
2. Make sure the bookshelf top sits symmetrically and center to the base.
3. Install a plate at each side (back left and back right) to secure the top to the base.
4. Insert the screws into plates and into the back of the top and base to secure. Tighten using a screwdriver.



### Care Instructions:

- For daily cleaning, dust with a dry, soft cloth.
- Avoid the use of chemical and abrasive cleaners.

thank you for your purchase