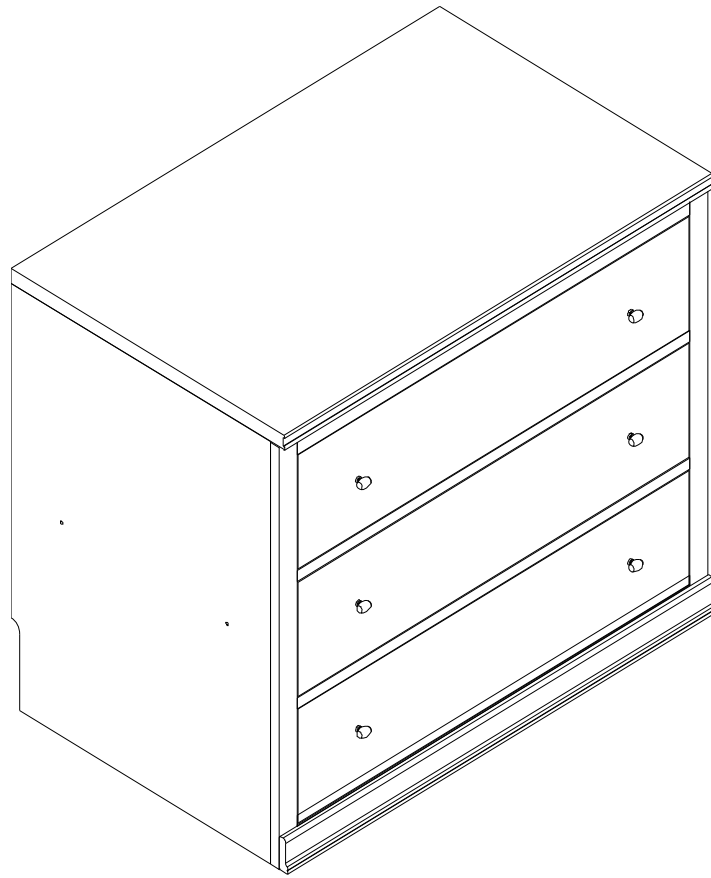


# POTTERY BARN



## LOGAN BASE WITH DRAWERS 24"

**Important Safety Instructions:**

- Please read all instructions carefully before assembling.
- For your safety, assembly by two or more adults is strongly recommended.
- Keep instructions for future use.
- Use only vendor supplied hardware to assemble. Using unauthorized hardware could jeopardize the structural integrity of the item.

**Pre-assembly:**

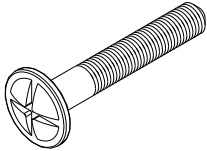
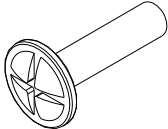
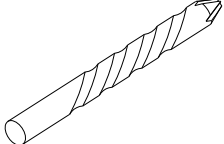
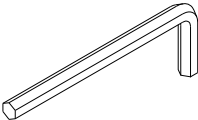

- Remove all parts and hardware from the box and lay out on a clear carpeted or scratch-free work surface, as this will avoid damaging parts during assembly. The shipping box provides an ideal work surface.
- Do not dispose of any packaging or contents of the shipping carton until assembly is completed to avoid accidentally discarding small parts or hardware.
- Use the parts and hardware lists below to identify and separate each of the pieces included.
- The illustrations provided allow for easier assembly when used in conjunction with the assembly instructions.
- The use of power tools to aid in assembly is not recommended. Power tools can damage hardware and split wood.

**This unit can be assembled with other Logan components to setup as the Media Suite or Office Suite.**

**Parts Included:**

- (1) Base with drawers 24"

**Hardware Included:**

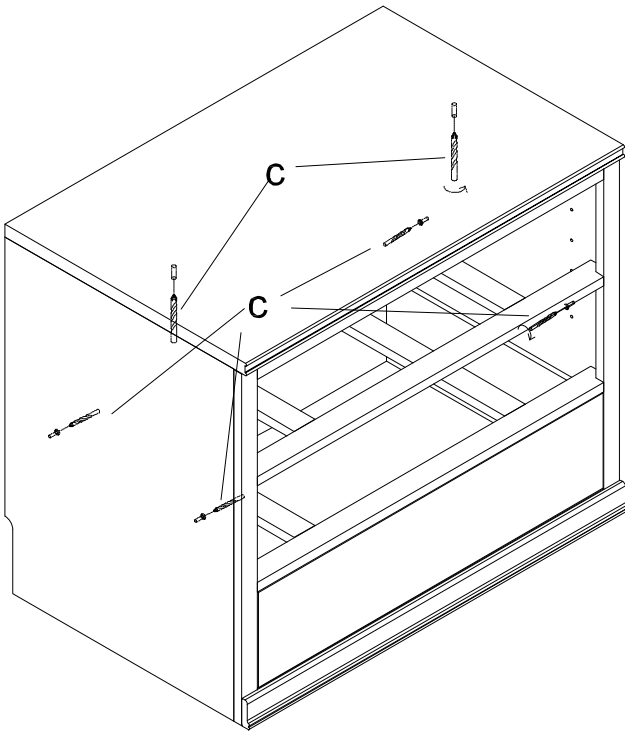
<p>(a) Connecting Screw</p>  <p>M4 x 25mm 2x</p>	<p>(b) Sleeve</p>  <p>M4 x 19mm 2x</p>	<p>(c) Drill Bit</p>  <p>diam 5mm 1x</p>
<p>(d) Allen key</p>  <p>4mm thick 1x</p>	<ul style="list-style-type: none"><li>• Anti-Tip Kit</li></ul> 	

**Tools Required (not included):**

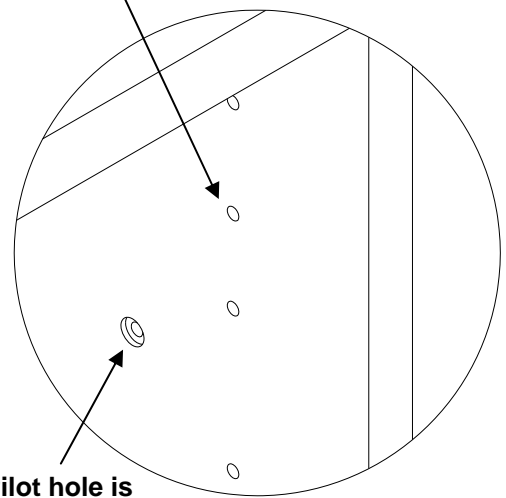
- Phillips head screwdrivers
- Drill

**Assembly Instruction Steps:**

1. Using caution remove all components from their boxes making sure to set aside all hardware and parts.
2. To connect base with the TV Stand, Desk, Corner Cabinet/TV Stand or a separate base:  
Set the base on the side of these units. Pull out the top two drawers and set them aside. Using the pilot holes as a guide, bore holes on the side panels using a drill with the 5mm drill bit (c).  
**NOTE:** The pilot holes on side panel to be drilled through are countersink holes. **Do not** drill the shelf pin holes. Only bore holes if this base is to be connected with other pieces in the Logan Collection.



**Shelf pin hole.**

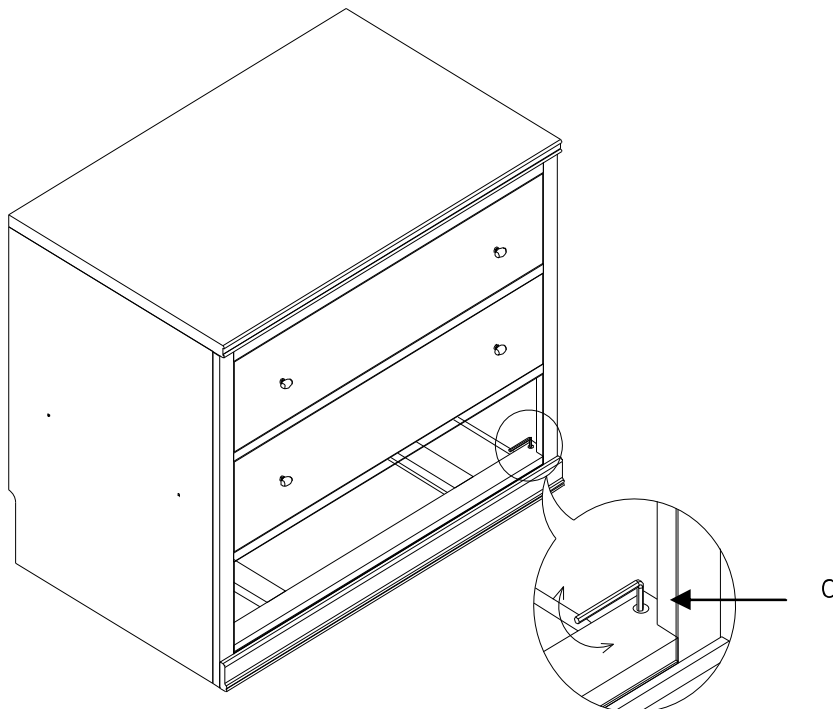


**NOTE: Pilot hole is countersink hole.**

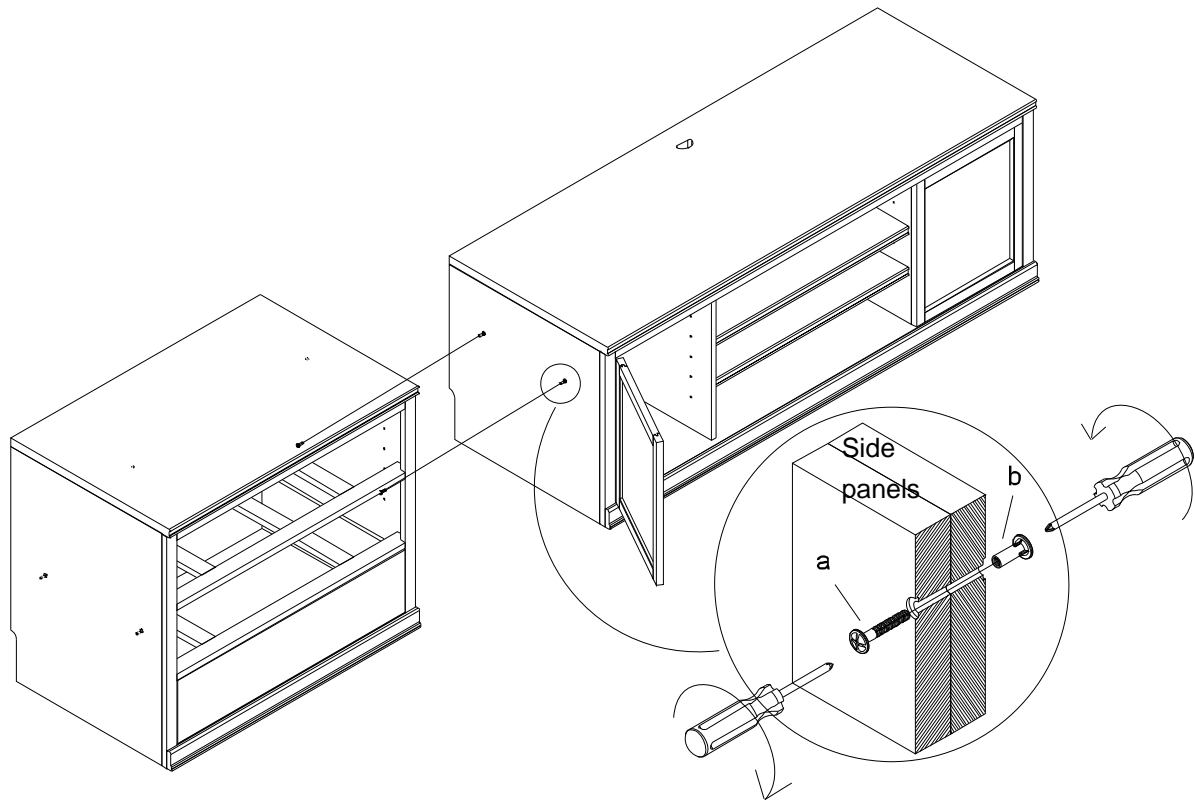
**3. Adjusting the levelers:**

Due to an uneven floor, the furniture may not sit level due causing it to wobble. If the furniture wobbles, determine which corner does not touch the ground correctly. With two people follow these steps:

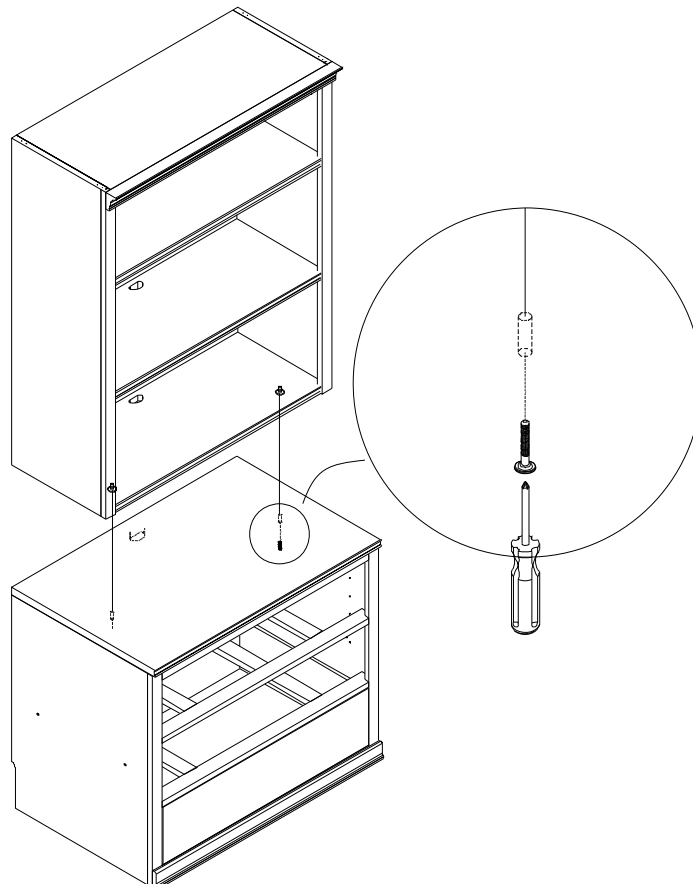
- 1) Pull out the bottom drawer and adjust the levelers using the Allen key (d) on the interior holes of the bases until adequate contact will be made with the floor. Gently set down the piece and check stability and door alignment.
- 2) Repeat steps until furniture sits firmly and the holes on pieces to be connected are properly aligned.



4. Align the bored holes on the side panel of the base with the bored holes on the Logan TV Stand, Desk, Corner Cabinet/ TV Stand, or a separate base. Insert the sleeve (b) into the hole and secure with the connecting screw (a) on the other end by tightening and threading the sleeve using Phillips head screwdrivers. Repeat with the other sleeve and screw.



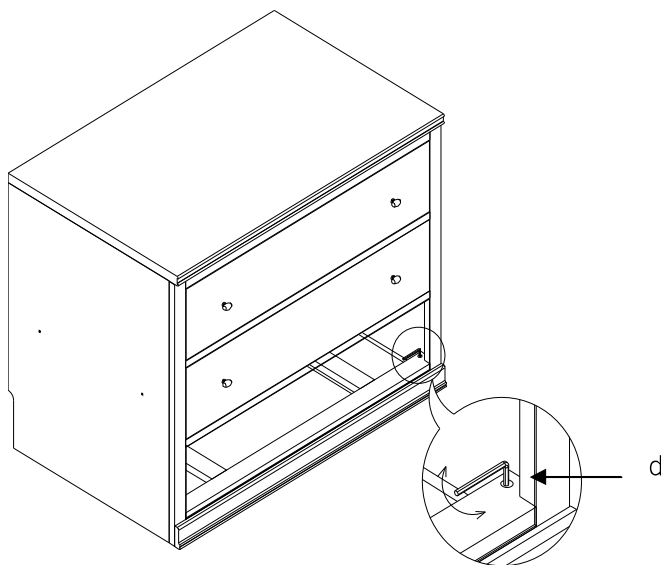
5. To connect base with a 24" hutch: Carefully set a 24" hutch on top of this base. Align the holes under the hutch with the pre-drilled holes on the top of the base, secure using the connecting screws and sleeves enclosed in the hardware packet of hutch. Tighten with the Phillips head screwdriver (see separate hutch instructions for more detailed steps).



6. Re-install the two drawers back into the cabinet.

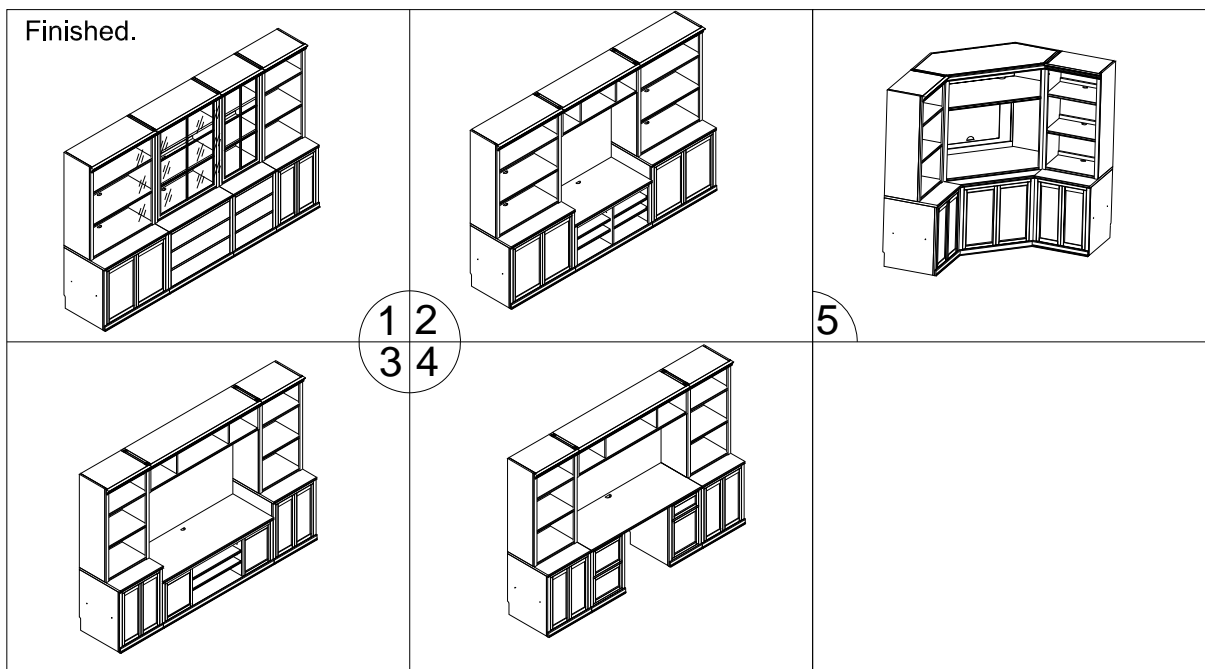
7. Once the assembled unit is moved into its final location, install included anti-tip kit.

8. If the furniture still wobbles, pull out the bottom drawer and adjust the levelers through the holes at the four corners with the Allen key 4mm (d).



9. Assembly is complete.

**NOTE: USE THE ANTI-TIP KIT PROVIDED TO SAFELY SECURE YOUR PRODUCT(S). FOLLOW THE INSTRUCTIONS PROVIDED TO PREVENT SERIOUS INJURY FROM TIPPING FURNITURE.**



**Care Instructions:**

- Dust often using a clean, soft, dry and lint-free cloth.
- Blot spills immediately and wipe with a clean, damp, cloth.
- We do not recommend the use of chemical cleansers, abrasives or furniture polish on our lacquered finish.
- Hardware may loosen over time. Periodically check to make sure all connections are tight.  
Re-tighten if necessary.

Thank you for your purchase  
Stores | catalog

# WILLIAMS-SONOMA INC.

3250 Van Ness, SF CA 94109, US  
CANADIAN DISTRIBUTION ADDRESS/ ADRESSE DE DISTRIBUTION CANADIENNE / DIRECCIÓN DE DISTRIBUCIÓN EN CANADÁ:  
3401 Dufferin St. Space 215, Toronto, Ontario, M6A 2T9, CA

## FURNITURE TIPPING RESTRAINT

**WARNING:** This product is only a deterrent. It is not a substitute for proper adult supervision. Manufacturer assumes no liability for improper installation or excessive loads placed on screws, brackets or straps.

Young children may be injured by tipping furniture and the use of a tipping restraint is highly recommended.

When properly installed, this restraint will provide protection against tipping of furniture. This tipping restraint **MUST** be secured to a wall-stud or wall structure of similar strength.

Hardware included:

- |                               |  |
|-------------------------------|--|
| (2) Brackets                  | (1) Nylon Strap                          |
| (2) Long Stud Mounting Screws | (2) Short Furniture-Side Mounting Screws |

Note: For safe mounting it is essential to use the proper hardware for your wall type. The included hardware is for drywall or stud mounting only. For other wall types (e.g., plaster, concrete and brick) please consult your local hardware store for fastener advice.

To install:

**1) LOCATING THE STUDS:** Use a stud finder to locate the vertical wooden studs within your wall located behind the final position of the furniture item. Mark the stud locations with a light pencil-mark.

**2) MOUNTING THE FURNITURE-SIDE BRACKET:** Move the furniture item close to the wall to its final position. Use pieces of tape or a pencil to transcribe the stud locations of the wall onto the furniture item. Move the furniture item again so you can access its back and use the marks to locate a suitable mounting point for the furniture-side bracket. Make sure that the bracket is secured to a firm portion of the furniture frame and as high as possible. Remember: The furniture-side bracket must be positioned near a wall stud. Using a pencil, and the bracket as a guide, mark “screw marks” on the furniture item through the bracket holes.

Use a 3/32” drill bit to drill pilot holes into the furniture item at the “screw marks”. Use the TWO Short screws to secure the furniture-side bracket. This bracket can be positioned either vertically or horizontal as necessary (See Figure 1).

**3) MOUNTING THE WALL-SIDE BRACKET:** Position the wall-side bracket along the selected stud mark so that it will be adjacent the furniture-side bracket when the furniture item is moved to its final position. The wall-side bracket should be about ONE inch lower than the furniture-side bracket (See Figure 3). Use the TWO Long screws to secure the wall-side bracket to the wall. Remember to position the wall-side bracket vertically so that both screws will engage the selected wall stud (See Figure 2).

**4) ATTACHING THE STRAP:** When both brackets are securely attached, move the furniture to its final desired position and thread the strap through the openings of each bracket and also through the ratcheting “buckle”. Tighten the strap until several “clicks” are heard. The furniture item is now securely tethered to the wall.

Note: If you must move the furniture item, you can release the strap by depressing the lever arm located at its buckle and simultaneously withdrawing the strap from the buckle. Make sure to reconnect the strap once the furniture item is returned to its previous position.

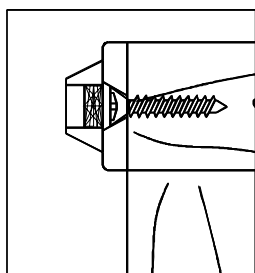


Figure 1

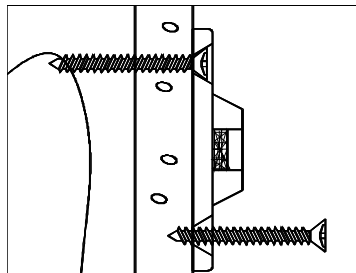


Figure 2

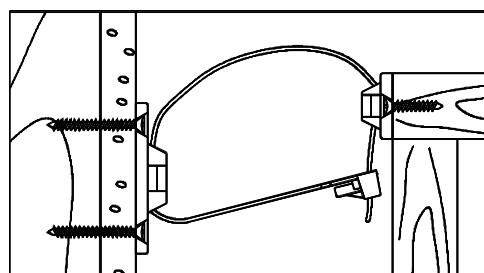


Figure 3