

P O T T E R Y B A R N

Riley Headboard

Pre-Assembly

- Please read all instructions before beginning assembly.
- Two-person assembly is recommended.
- Save all packing materials until assembly is complete to avoid accidentally discarding smaller parts or hardware.

Parts and Hardware Included

Headboard

(A) Allen key

(B) Allen bolt

(C) Lock washer

(D) Flat washer

A  1 pcs

B  6 pcs

C  6 pcs

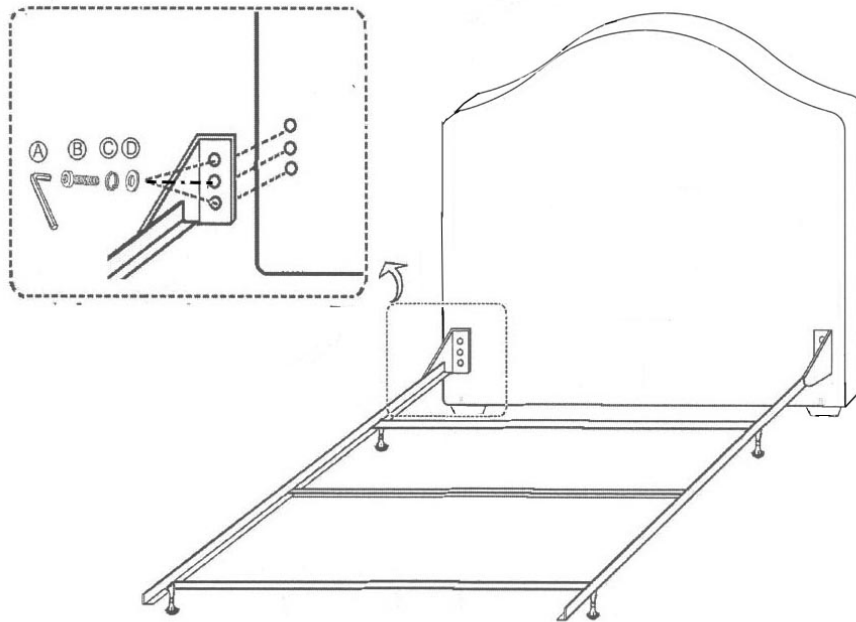
D  6 pcs

Needed for Assembly

Pre-assembled bed frame (not included)

Assembly Instructions

1. Hold headboard upright and tilted slightly towards the faceplates of the pre-assembled bed frame.
2. Align the slots in the faceplate with the pre-drilled holes of the headboard.
3. Insert an allen bolt (B) into a lock washer (C) and then through a flat washer (D).
4. Tighten bolt by using enclosed Allen key (A). Periodically tighten all connections.



Care Instructions

- Avoid direct heat and sunlight.
- Dust lightly and vacuum weekly.
- Fabric can be spot cleaned with mild soapy water. For more thorough cleaning, professional upholstery cleaning is recommended.

thank you for your purchase

[stores | catalog | www.potterybarn.com](https://www.potterybarn.com)