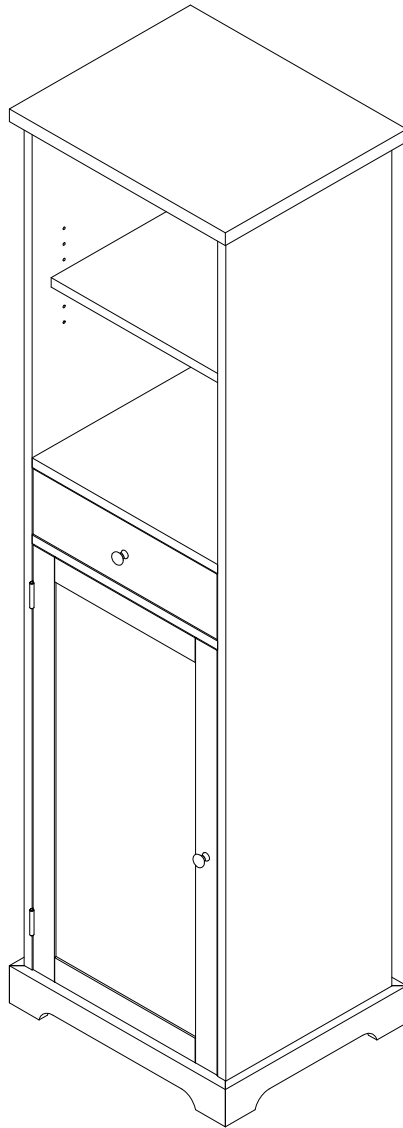


POTTERY BARN



Samantha Entry Wall Mounted Tower

Important Safety Instructions:

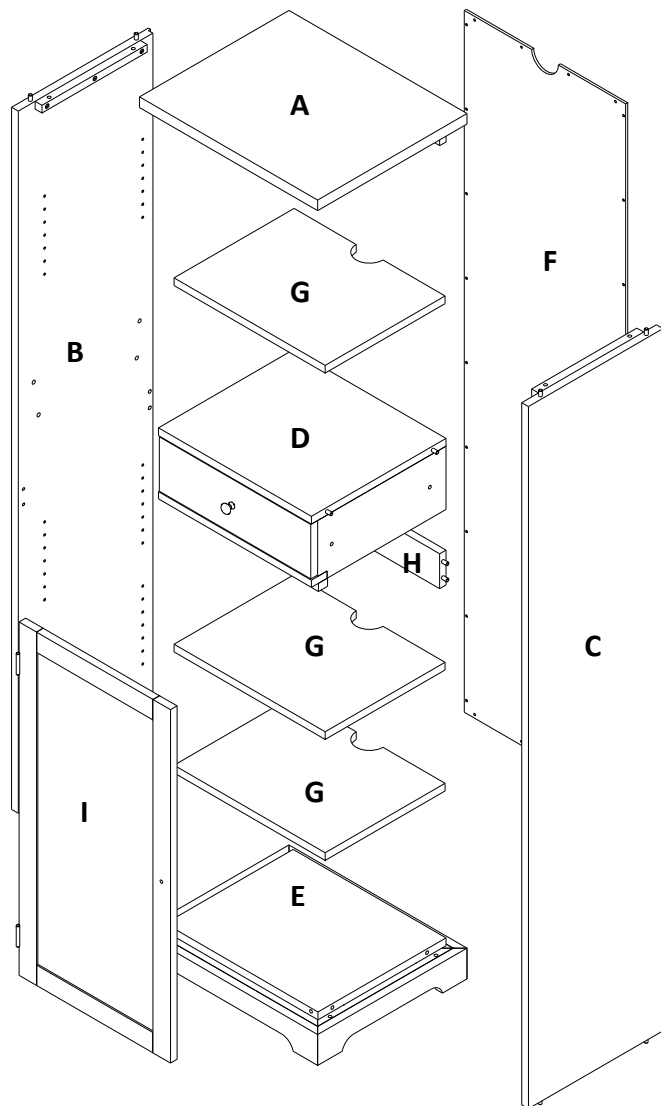
- Please read all instructions carefully before assembling.
- For your safety, assembly by two or more adults is strongly recommended.
- Keep instructions for future use.
- Use only vendor supplied hardware to assemble. Using unauthorized hardware could jeopardize the structural integrity of the item.

Pre-assembly:

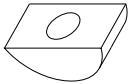
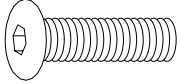
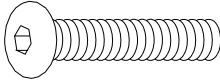
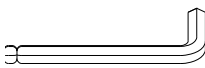
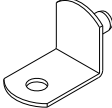
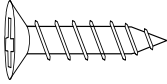
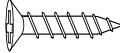

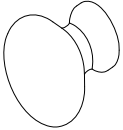
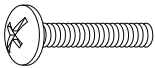
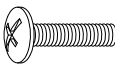
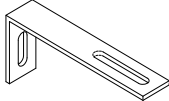
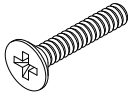
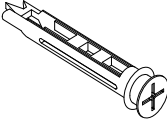
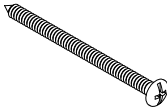
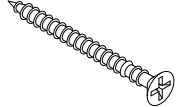
- Remove all parts and hardware from the box and lay out on a clear carpeted or scratch-free work surface, as this will avoid damaging parts during assembly. The shipping box provides an ideal work surface.
- Do not dispose of any packaging or contents of the shipping carton until assembly is completed to avoid accidentally discarding small parts or hardware.
- Use the parts and hardware lists below to identify and separate each of the pieces included.
- The illustrations provided allow for easier assembly when used in conjunction with the assembly instructions.
- The use of power tools to aid in assembly is not recommended. Power tools can damage hardware and split wood.

Parts Included:

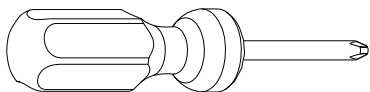
(A)	Top Frame	1x
(B)	Left Side Panel	1x
(C)	Right Side Panel	1x
(D)	Drawer Frame	1x
(E)	Bottom Frame	1x
(F)	Back Panel	1x
(G)	Adjustable Shelf	3x
(H)	Back Middle Rail	1x
(I)	Door	1x



Hardware Included:

<p>(J) Half Moon Washer</p>  <p>Dia. 1/4" 4x</p>	<p>(K) Short Bolt</p>  <p>Dia. 1/4"x1-1/8" 8x</p>	<p>(L) Long Bolt</p>  <p>Dia. 1/4"x1-3/4" 4x</p>	<p>(M) Allen key</p>  <p>4mm 1x</p>
<p>(N) Shelf Pin</p>  <p>5mm 12x</p>	<p>(O) Big Wood Screw</p>  <p>#8 x 16mm L 30x</p>	<p>(P) Small Wood Screw</p>  <p>#3 x 16mm L 6x</p>	<p>(Q) Hook</p>  <p>3x</p>
<p>(R) Handle</p>  <p>1x</p>	<p>(S) Long Pan Head Bolt</p>  <p>Dia. 5/32" x1" L 1x</p>	<p>(T) Short Pan Head Bolt</p>  <p>M4 x 15mm L 1x</p>	<p>(U) L Bracket</p>  <p>1x</p>
<p>(V) Machine Screw</p>  <p>M4 x 16mm L 4x</p>	<p>(W) Toggle Bolt</p>  <p>1x</p>	<p>(X) Long Screw</p>  <p>1x</p>	<p>(Y) Wood Screw</p>  <p>#8*1-1/2"L 1x</p>

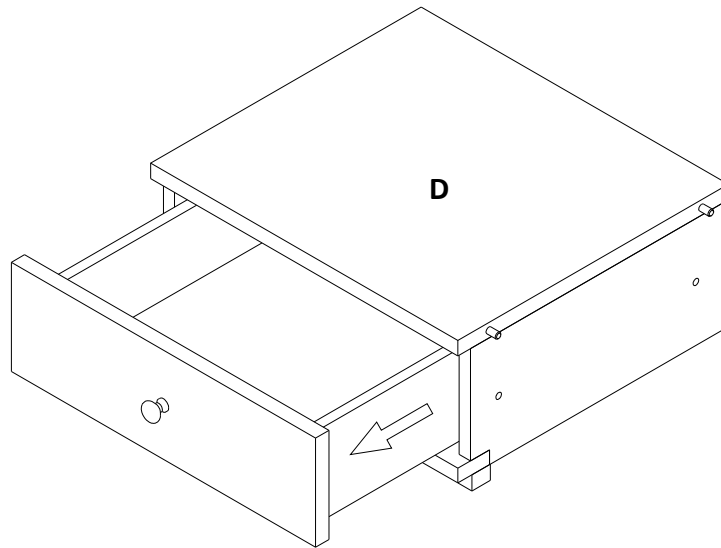
Tools Required (not included):



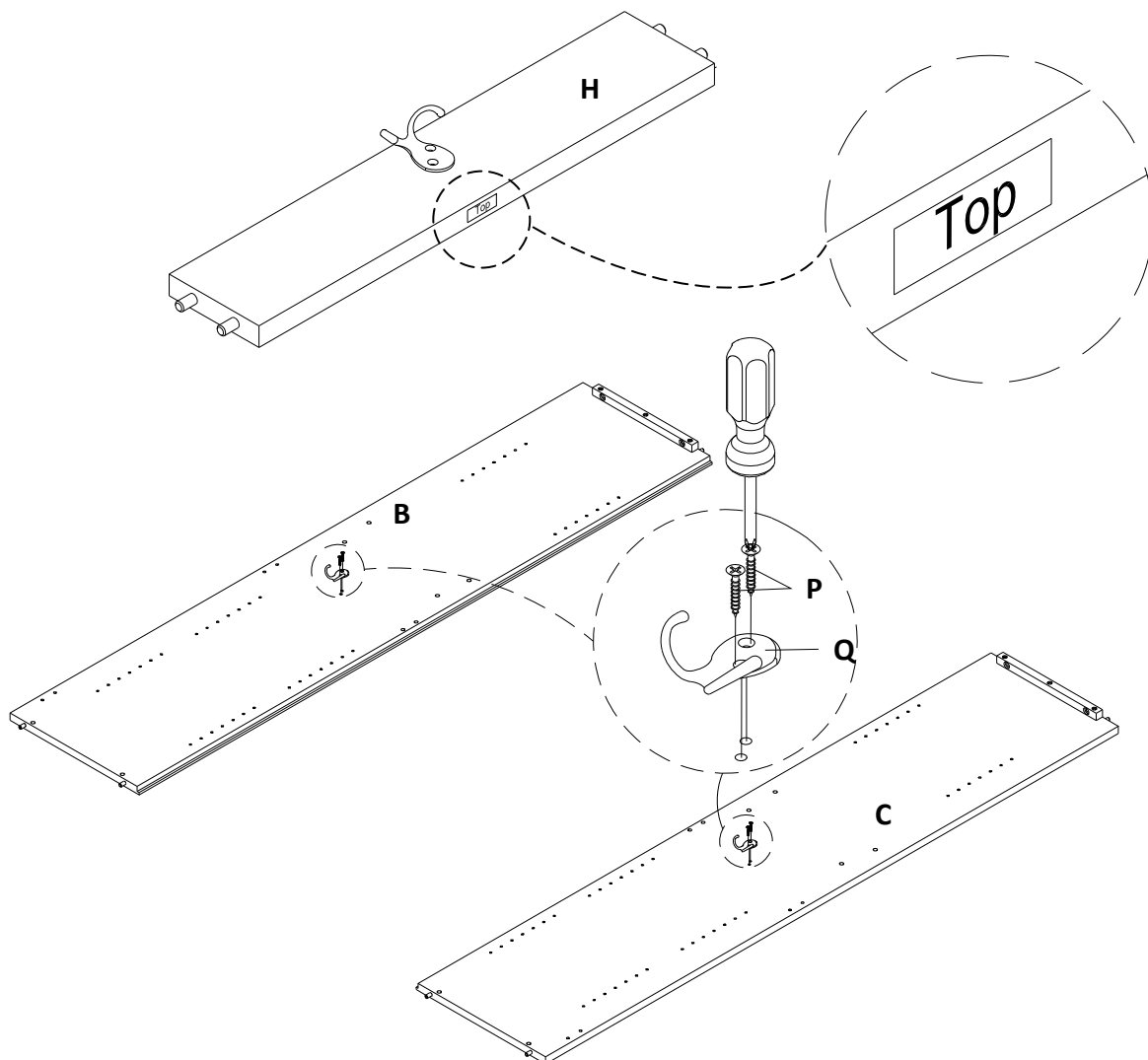
Philips Head Screwdriver

Assembly Instruction Steps:

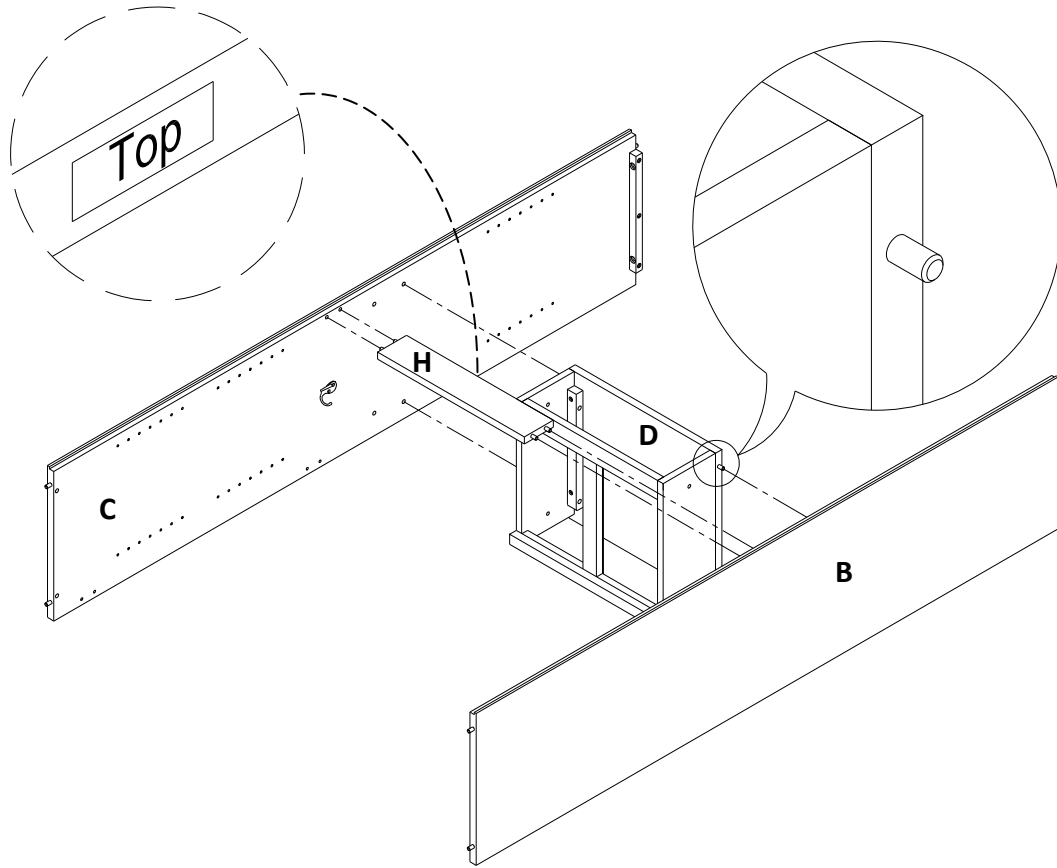
1. Take the drawer out of Drawer Frame (D) as arrow



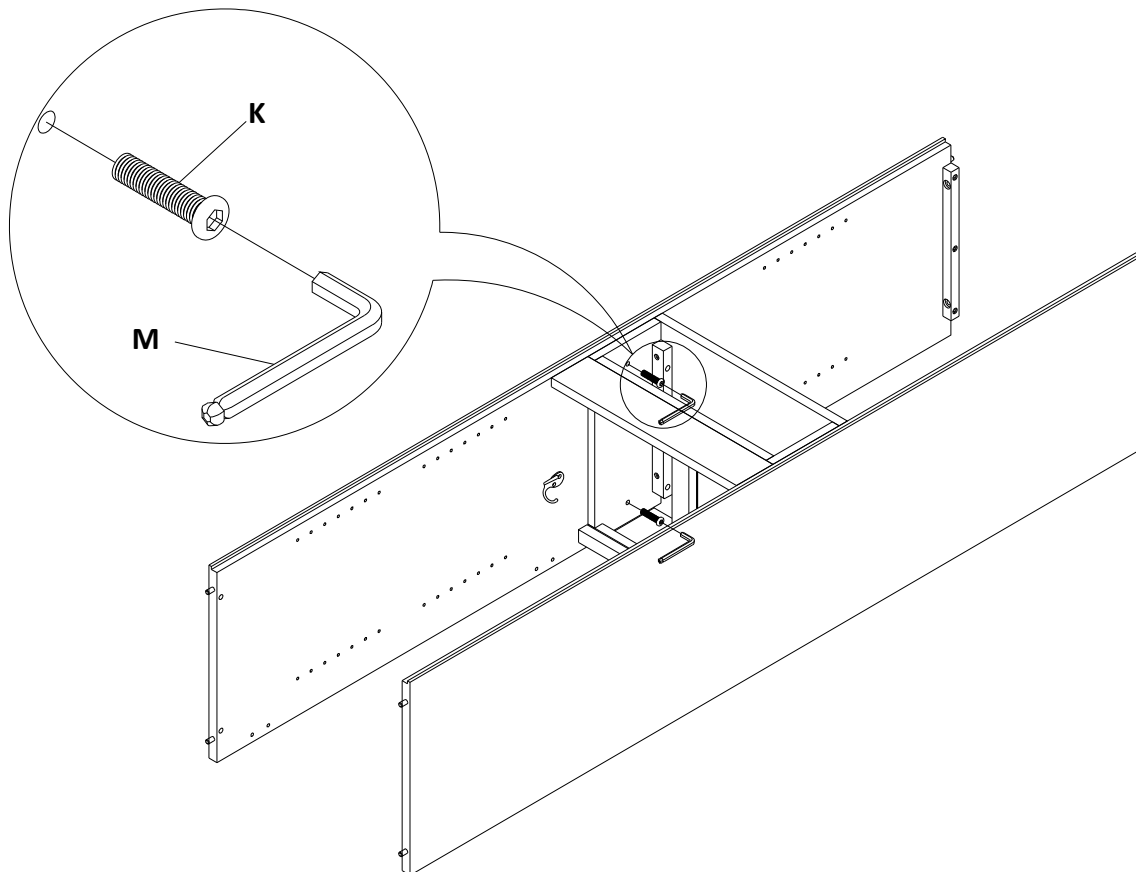
2. Attach the Hook (Q) to Left Side Panel (B), Right Side Panel (C) and Back Middle Rail (H) using the Small Wood Screws (P). Tighten by hand at first, securely tighten all Screws with Philips Head Screwdriver, but do not over tighten.



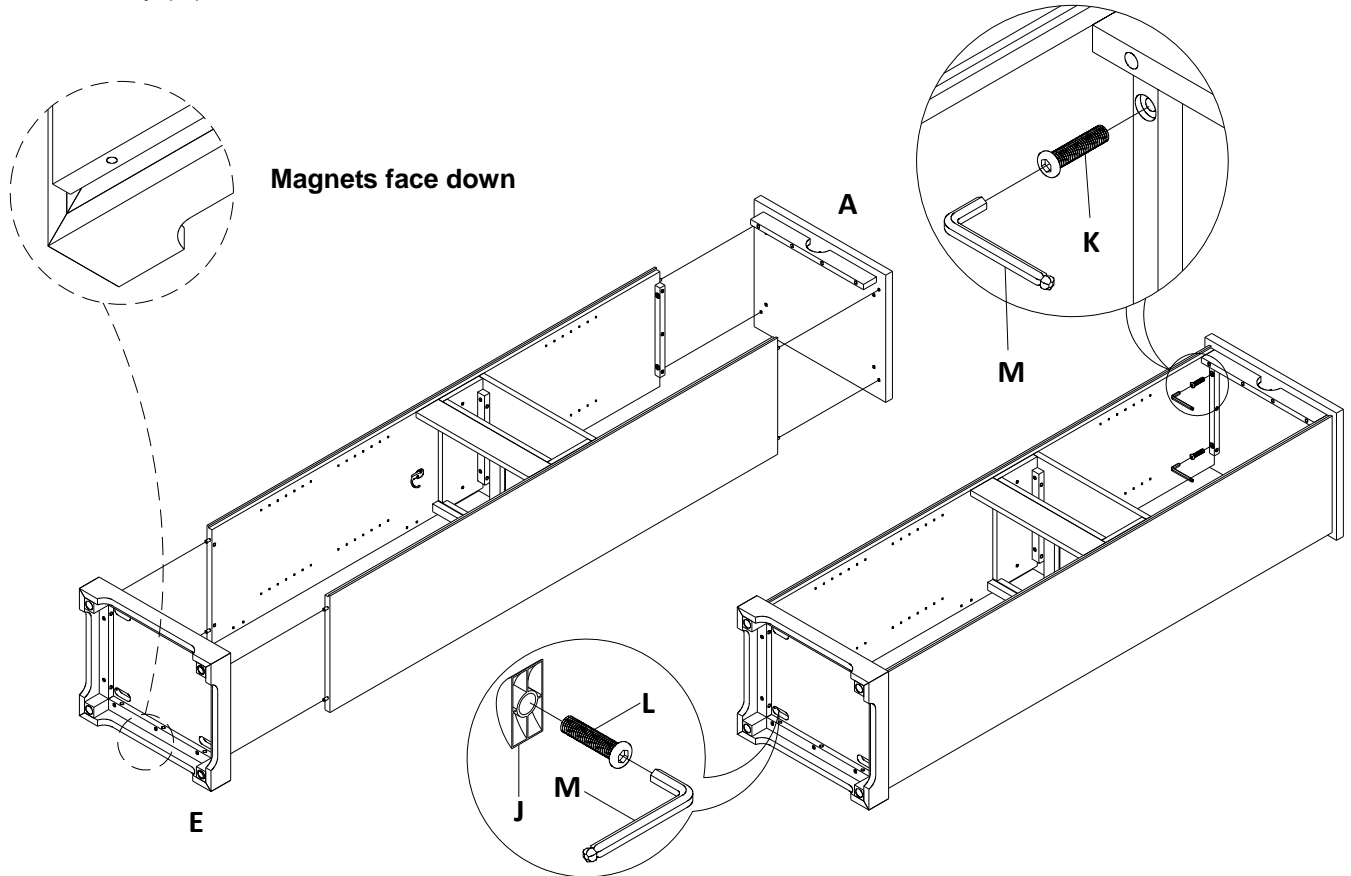
3. Attach Back Middle Rail (H) and Drawer Frame (D) to Left Side Panel (C) and Right Side Panel (B) as shown.



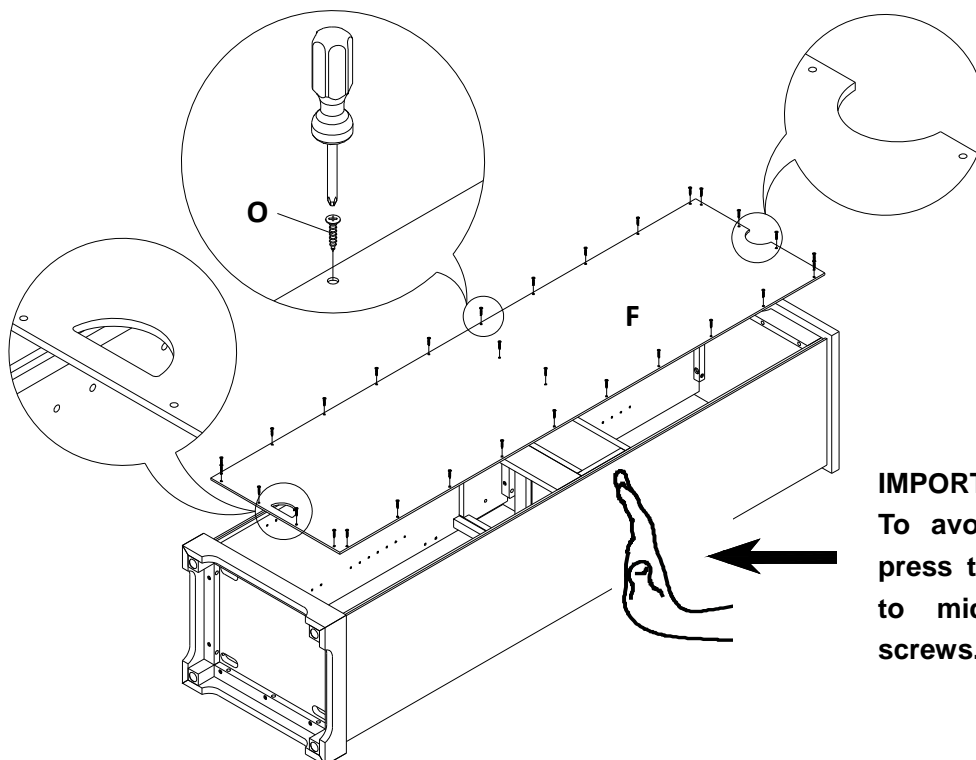
4. Insert the Short Bolt (K) to the Drawer Frame as shown, and securely tighten all bolts with Allen key (M).



5. Attach Top Frame (A) and Bottom Frame (E) to the assembly as shown. Insert the Short Bolt (K) to Top Frame, and insert the Long Bolt (L) and Half Moon Washer to the bottom Frame, finally, securely tighten all bolts with Allen key (M).

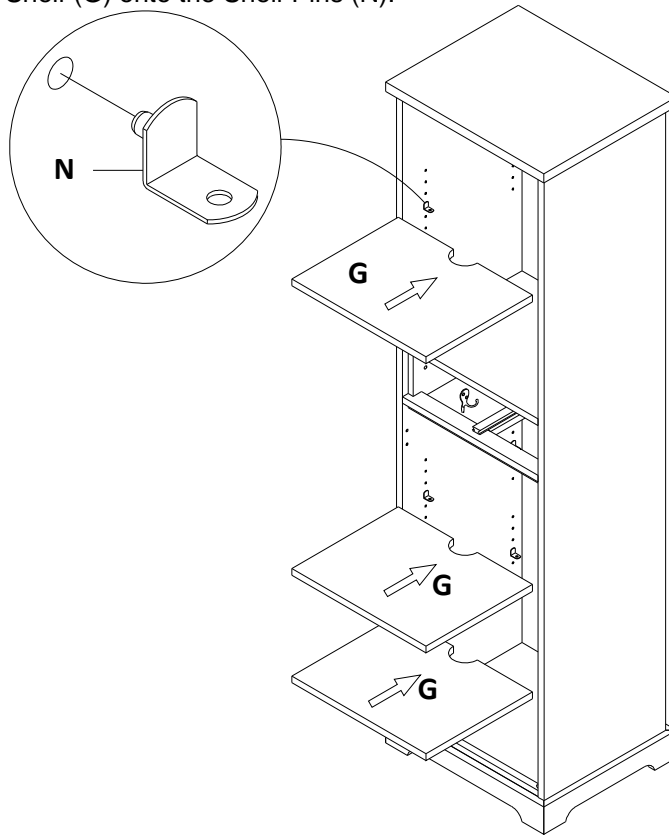


6. Attach the back panel (F) to the assembly by using Big Wood Screw (O), securely tighten with Philips screwdriver

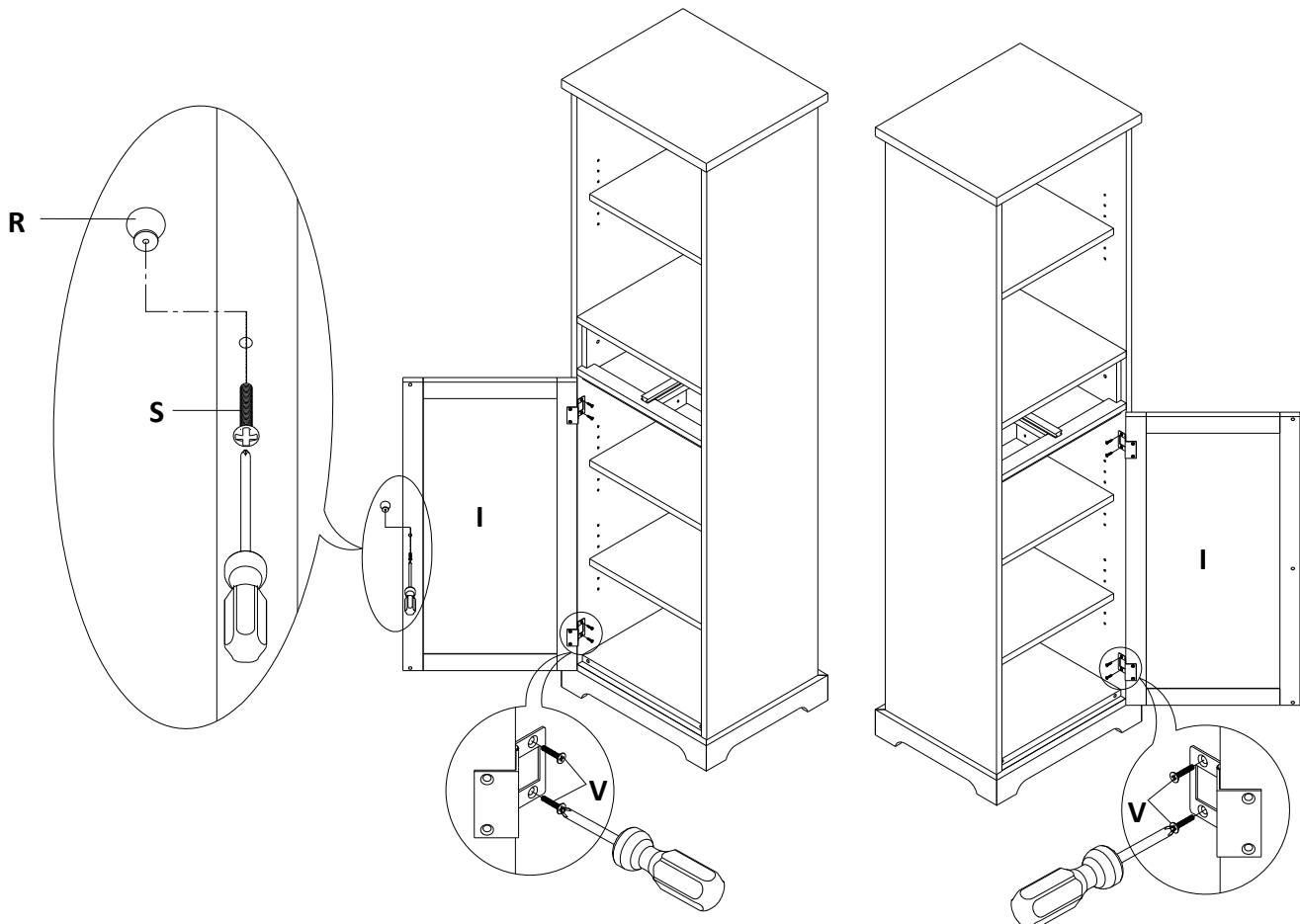


IMPORTANT NOTE:
To avoid screw deviation,
press the side panel firmly
to middle when tighten
screws.

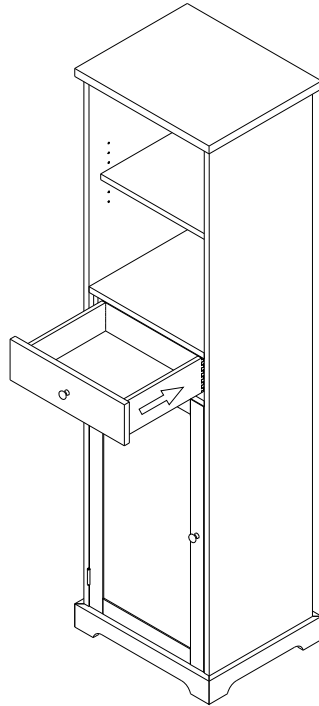
7. Carefully turn the tower upright. Insert the Shelf Pins (N) into the pre-drilled holes at desired height. Gently lay the Adjustable Shelf (G) onto the Shelf Pins (N).



8. First, install the door (I) by securing the Machine screw (V) to the pre-drilled holes on left or right of tower. Second, attach Knob (R) to the Door (I) using Long Pan Head Bolt (S), and securely tighten all bolts with Philips screwdriver.



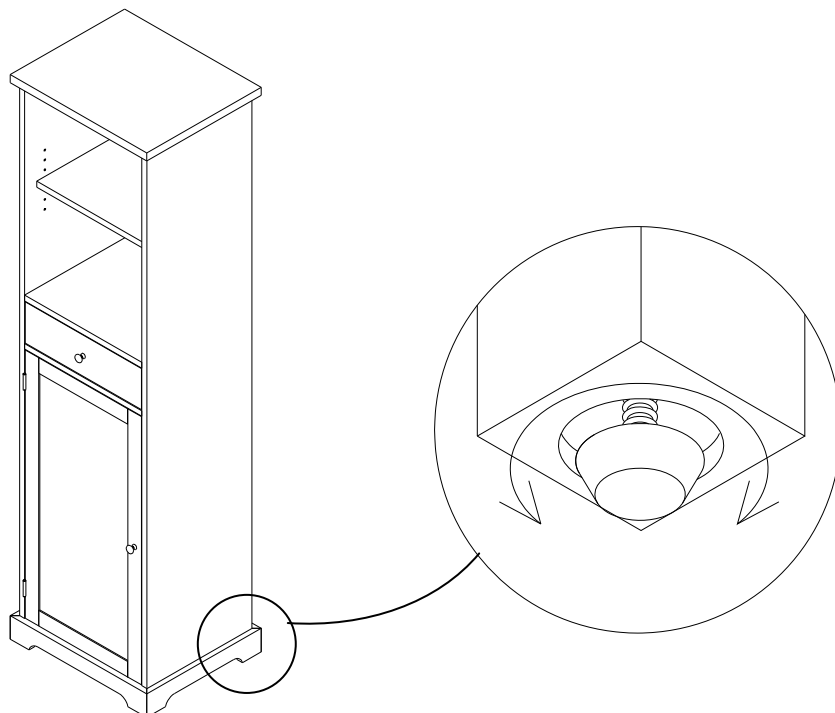
9. Push the drawer back to the frame as shown.



10. Adjusting the levelers:

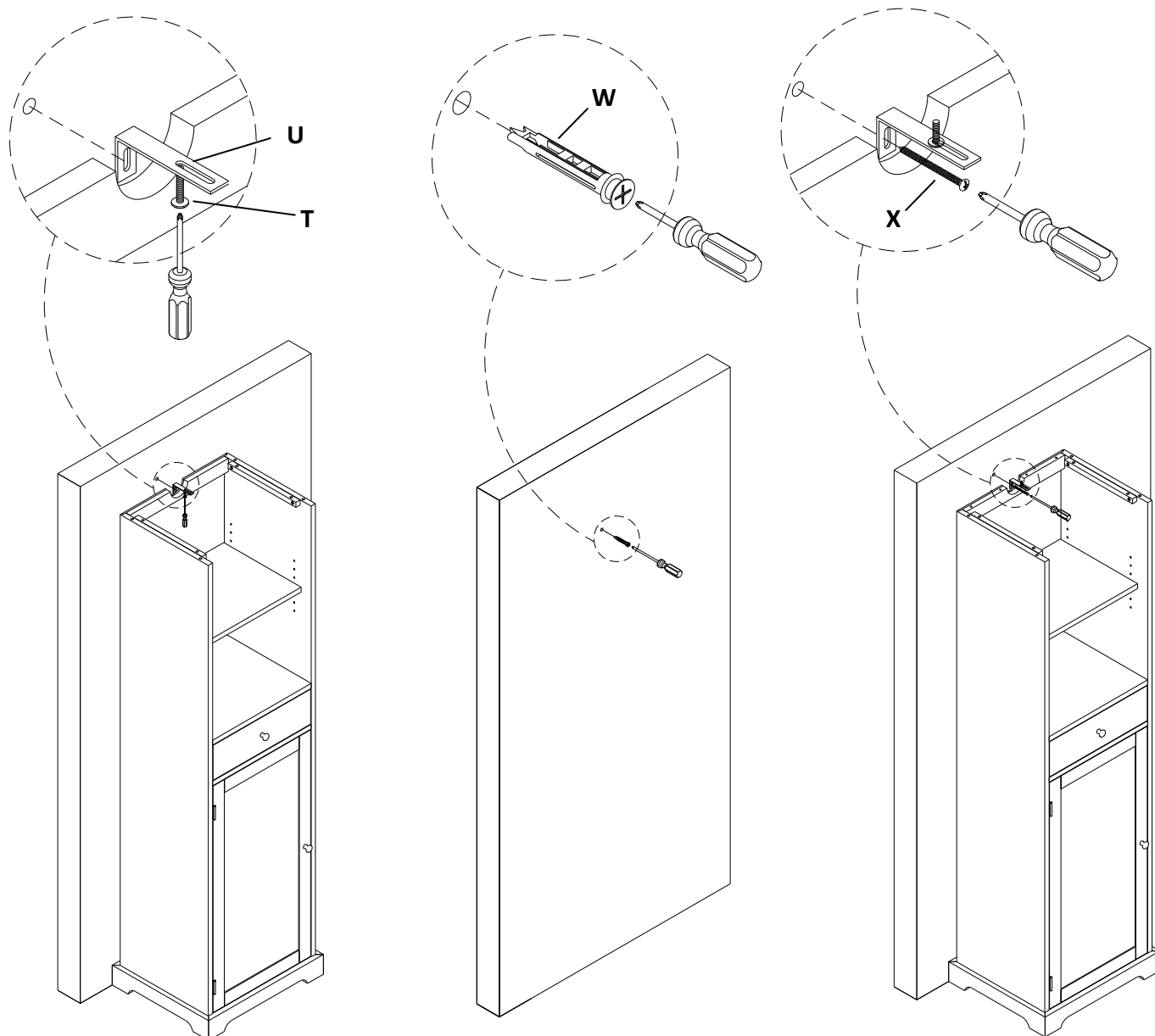
Due to an uneven floor, the furniture may not sit level due causing it to wobble. If the cabinet wobbles, determine which corner does not touch the ground correctly. With two people follow these steps:

- (1) Carefully elevate the item slightly to provide access to the levelers attached to the bottom.
- (2) Turn the levelers until adequate contact will be made with the floor. Gently set down the piece and check stability.
- (3) Repeat steps until furniture sits firmly on the ground.

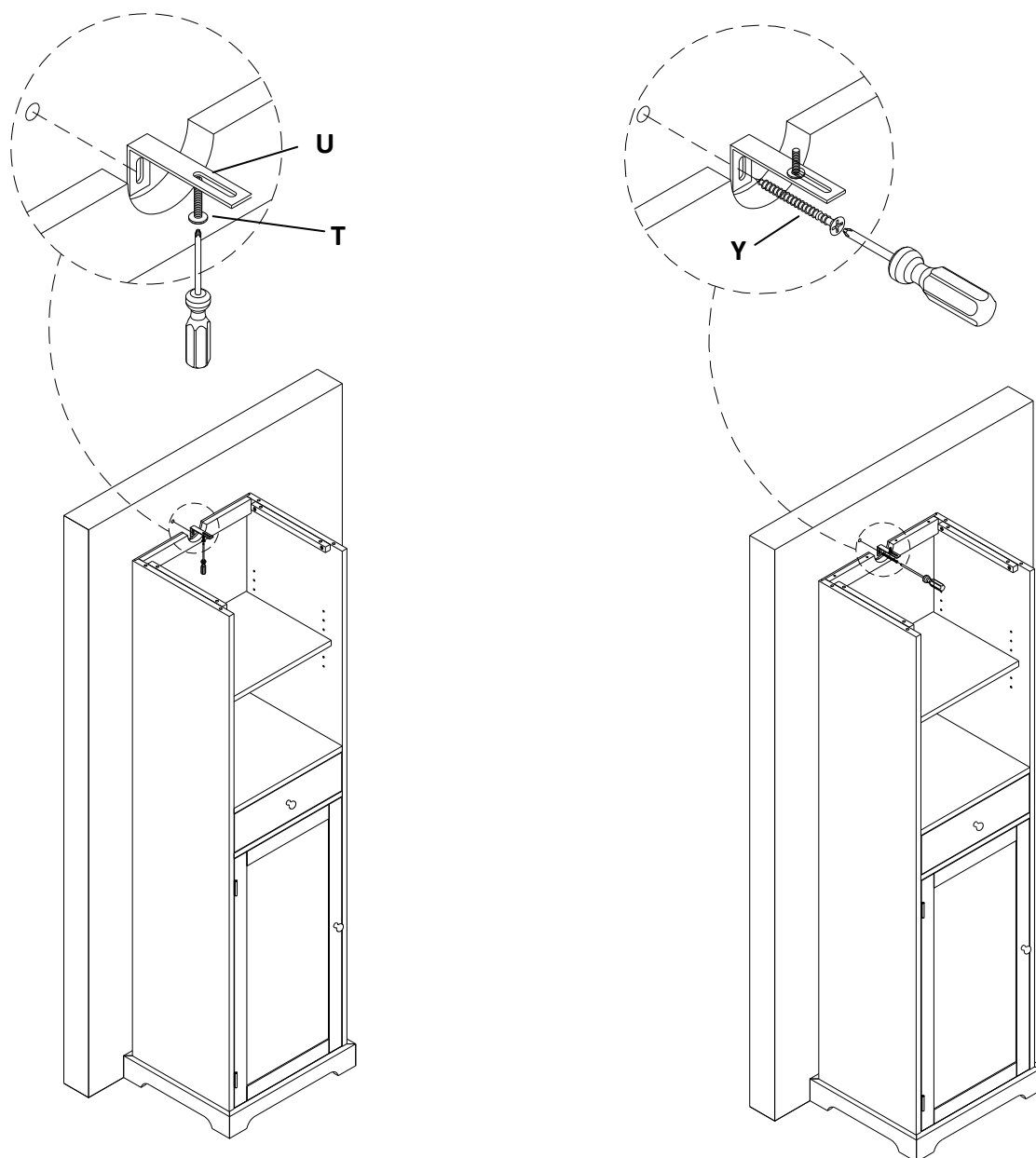


MOUNT THE TOWER TO THE WALL- The Tower must be secured to the wall.

1. Secure the "L" Bracket (U) to the pre-mounted insert nut underneath top panel with Short Pan Head Bolt (T), and tighten by a Phillips screwdriver.
2. Move the tower to the desired placement on the wall. Use a sharp pencil or a screw to mark the wall through the holes located in the "L" Bracket. These marks are the insertion marks for the provided hardware.
3. The provided toggle bolt (W) is needed for drywall applications, but cannot penetrate into wall studs (wood). Therefore, we recommend that you use a stud finder to determine if any of the insertion marks align with a wall stud. If so, only a wood screw (Y) will be used at that mark. If not, then both a Toggle Bolt (W) and a Long screw (X) will be used.
4. **For drywall mounting:** using a screwdriver to engage a Toggle Bolt (W) and position the toggle bolt tip against the wall at the insertion mark. Gently push the toggle bolt into the wall as you rotate the toggle bolt clockwise. Continue rotating until the large flange of the toggle bolt is flush with the wall.
5. Once the Toggle Bolt (W) is installed into the wall at the marked locations, return the tower to the wall. Use a screwdriver to secure the "L" Bracket (U) through long screw (X) into the toggle bolt.



For stud mounting: using a screwdriver to secure the “L” Bracket (U) through Wood Screw (Y), simply drive down Wood Screw (Y) for securing



Care Instructions:

- Dust often using a clean, soft, dry and lint-free cloth.
- Blot spills immediately and wipe with a clean, damp, cloth.
- We do not recommend the use of chemical cleansers, abrasives or furniture polish on our lacquered finish.
- Hardware may loosen over time. Periodically check to make sure all connections are tight.
Re-tighten if necessary.

Thank you for your purchase
Stores | catalog