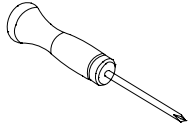


P O T T E R Y B A R N

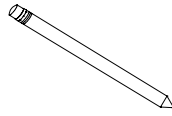
Seville Medicine Cabinet Lrg Esp

- This hanging system is meant for drywall/stud mounting only.
- If walls are concrete, brick or plaster, please consult your local hardware store for assistance.
- For safety, installation by two people is recommended.

Tool Required (Not Included):

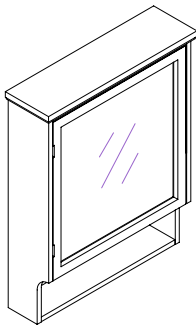


Stud Finder Phillips Screwdriver

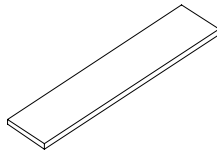


Pencil

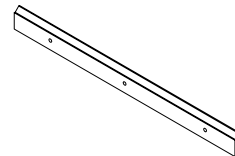
Parts Included:



Wooden Cabinet (1pc) - A



Glass Shelf (2pcs) -B

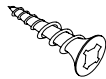


Wall rail (1pc) -C

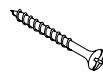
Hardware Included :



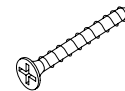
Shelf pin (8pcs) -a



Toggle (2pcs) - b



Toggle Screw (2pcs) -c



Wood Screw (1pc) -d



Rubber Pad (2PC) - e

Pre-Assembly:

- Remove all parts and hardware from the box and lay out on a clear workspace, along with any plastic protective packaging. Do not dispose of any contents until assembly is complete to avoid accidentally discarding small parts or hardware.
- Use the parts and hardware lists above to identify and separate each of the pieces included.
- The illustrations provided allow for easier assembly when used in conjunction with the assembly instructions.

P O T T E R Y B A R N

Seville Medicine Cabinet Lrg Esp

MOUNT WALL RAIL TO THE WALL

1. Find wall studs and determine the desired placement on the wall for the product. Position the wall rail (C) on the wall and adjust so that the rail is level. It is better to mount the wall rail to at least (1) stud. Then, use a felt-tipped pen to mark the wall through the three pre-drilled holes of the rail to indicate the locations of the drywall toggles.
2. Drill the holes at the marked places on the wall. Then Use a manual screwdriver, drive two toggle (b) into the drywall at the marks on the left and right. To install these toggles (b) into the wall, simply rotate them at the marked location as if they were a large screw, applying smooth even force. **DO NOT HIT THEM WITH A HAMMER AND DO NOT USE A POWER DRILL TO ROTATE THEM.** These toggles are designed to bore themselves into the wall. Continue rotating until the toggle head advances flush with the wall surface. See **Figure 1**
3. Once the toggles (b) are installed into the wall at the marked locations, reposition the wall rail (C) so that the marked holes of the rail align with the toggles. Using the supplied toggle screw (c) secure the rail (C) to the installed toggles (b). Note: Tighten toggle screw flush with item, the screw pops open the Toggle, this reinforces the wall and increasing its holding power significantly.
4. Screw the wood screw (d) into the wall through the middle hole of wall rail.

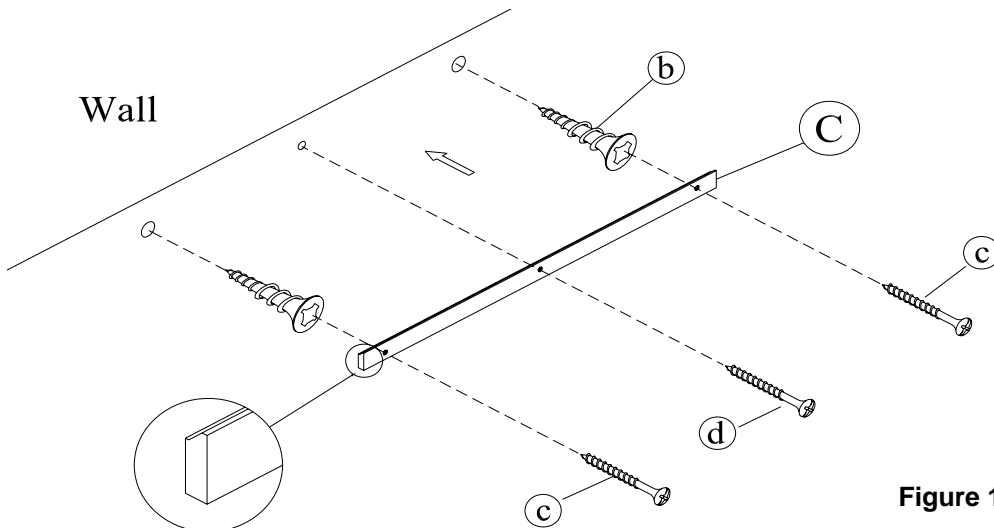


Figure 1

5. HANG THE PRODUCT ONTO THE MOUNTED WALL BRACKET

1. On the back of your product is one affixed product-mounting bracket. **Figure 2.**
2. Carefully position the product-mounting bracket slightly above and against the wall rail, insuring that the two rails are aligned. Engage the two rails.

POTTERY BARN

Seville Medicine Cabinet Lrg Esp

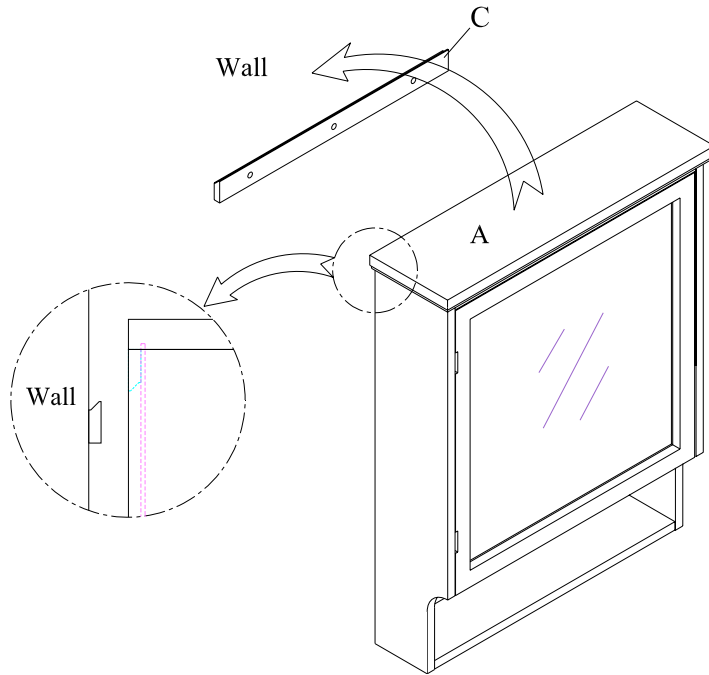


Figure 2

To install shelves: Insert the Shelf pins (a) into the pre-drilled holes on the interior side of the cabinet at desired level. Gently place Glass shelf(B) onto Shelf pins.

Optional: Attach the rubber pad (e) into the magnet in the cabinet. See **Figure 3**.

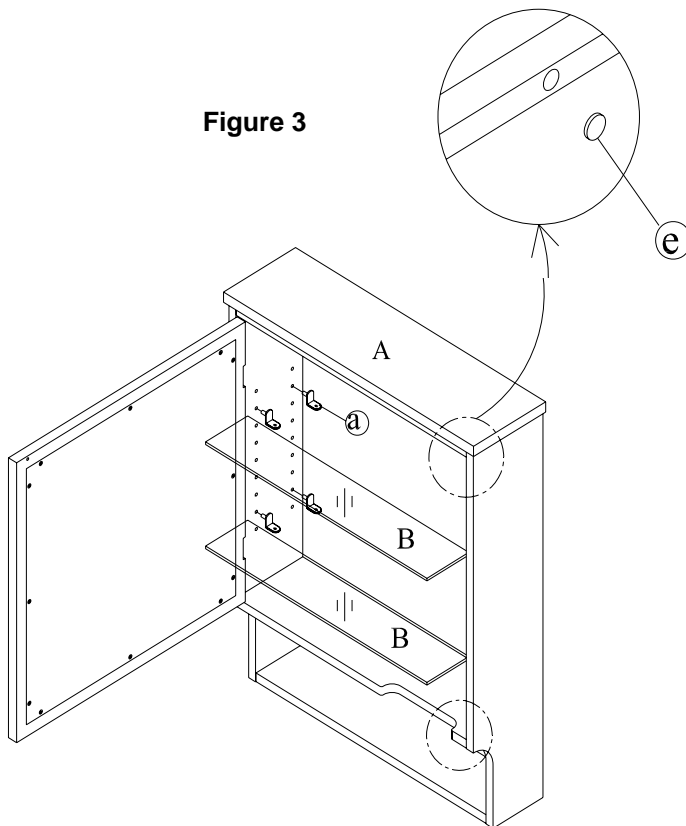


Figure 3

Care Instructions:

- ◆Wipe cabinet with a soft, dry cloth.
- ◆To protect the finish, avoid the use of all chemical and household cleaners and abrasives as they may damage finish.