

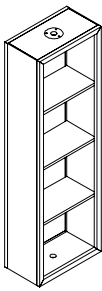
P O T T E R Y B A R N

Swivel Storage Mirror Assembly Instructions

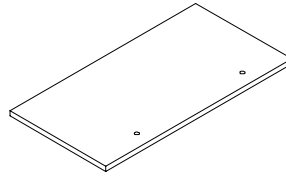
Pre-Assembly:

- Please read all instructions carefully before assembly.
- For your safety and ease assembly by two people is recommended.
- Carefully lay out and identify all parts and hardware prior to assembly.
- Save all packing materials until assembly is complete to avoid accidentally discarding small parts or hardware.

Parts Included:

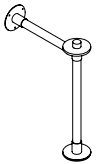


(1) Cabinet with (3) pre-installed shelves – A



(1) Cap Board – B

Hardware Included:



(1) Floor Bracket - a



(1) Rubber Washer - b



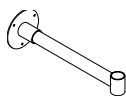
(6) Toggle - c



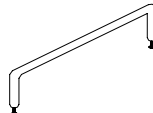
(6) Toggle Screw – d



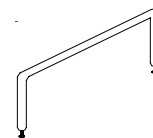
(1) Large Pin - e



(1) Upper Bracket - f

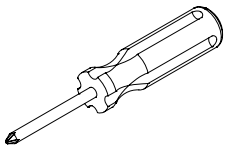


(2) Shorter Bars with Bolt - g



(2) Higher Bars with Bolt - h

Tools Required (Not Included):



- Phillips Screwdriver

Installation:

Step 1: Installation of the Bars - Figure 1

- a. Remove the pre-installed bolts from both the Shorter Bars (g) and the Higher Bars (h).
- b. Install the bars onto (3) the shelves of the cabinet and onto the Cap Board (B) (which will serve as the bottom shelf) by re-inserting the bolts from the bottom up into the bars as shown in Fig 1. Be sure to determine which sized bars for each shelf before installing.

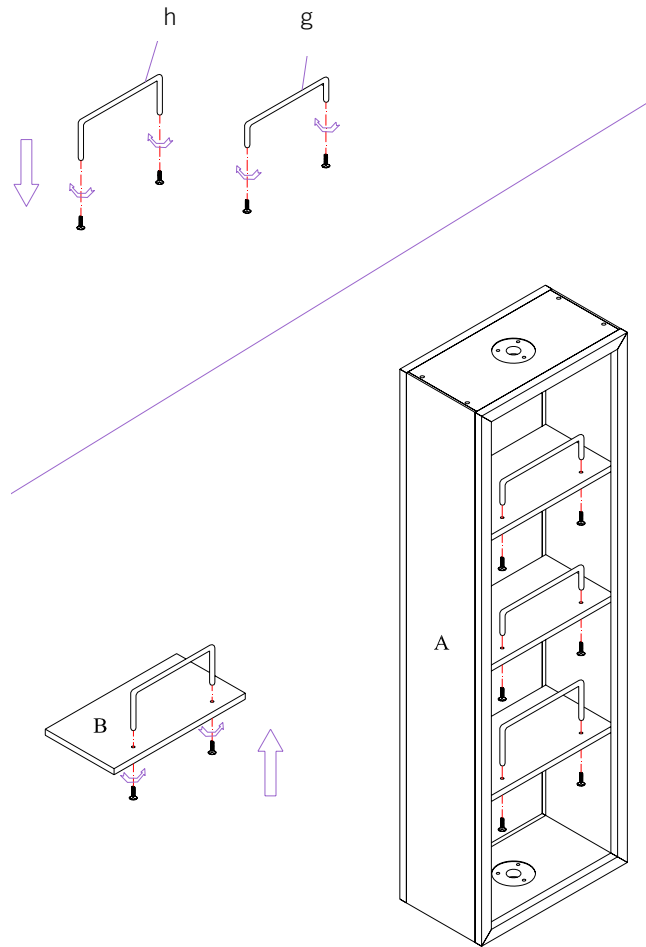


Figure 1

Step 2: Installation of the Cabinet onto the Floor Bracket – Figure 2

- a. Place the floor bracket (a) on the floor vertically near the desired wall location. Hold the top part of the bracket perpendicular to the floor and the bracket's pan washer flush to the wall. Mark the position of the holes on the pan washer onto the wall by using a pencil.
- b. Temporarily remove the floor bracket and install the toggles (c) into the wall at the marked locations. Simply rotate them at the marked locations with the Phillips screwdriver. **DO NOT HIT THEM WITH A HAMMER AND DO NOT USE A POWER DRILL TO ROTATE THEM.** These toggles are designed to bore themselves into the wall. Continue rotating until the toggle heads are flush with the wall surface.
- c. Reposition the floor bracket and align the pan washer holes with the toggles. Insert the toggle screws (d) and secure the floor bracket (a) to the wall. Tighten screws with Phillips screwdriver until heads are flush with the pan washer.
- d. Place the rubber washer (b) onto the vertical stem found at the joint of the floor bracket.
- e. With two people, place the wooden cabinet atop the floor bracket (a) while inserting the vertical stem of the floor bracket through the hole on the bottom panel of the wooden cabinet. Continue to hold the cabinet in place while installing the upper bracket. (Step 3).

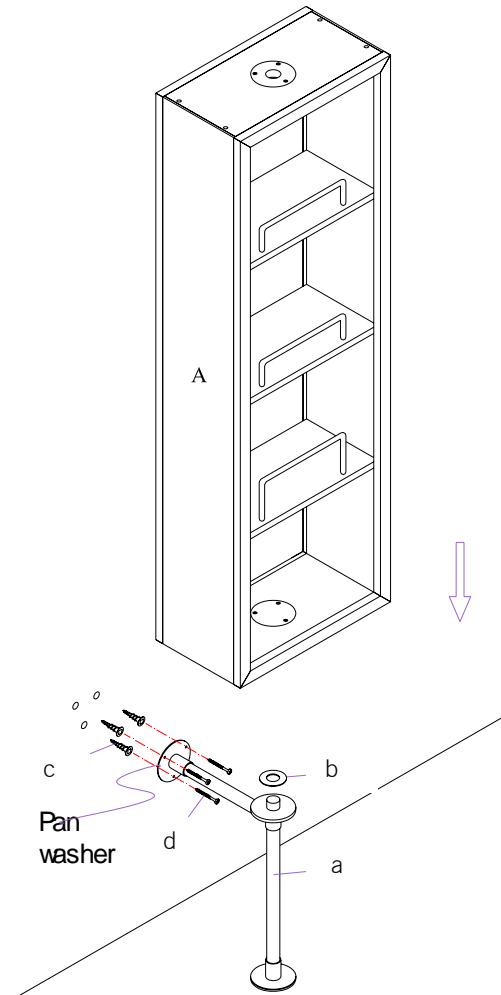
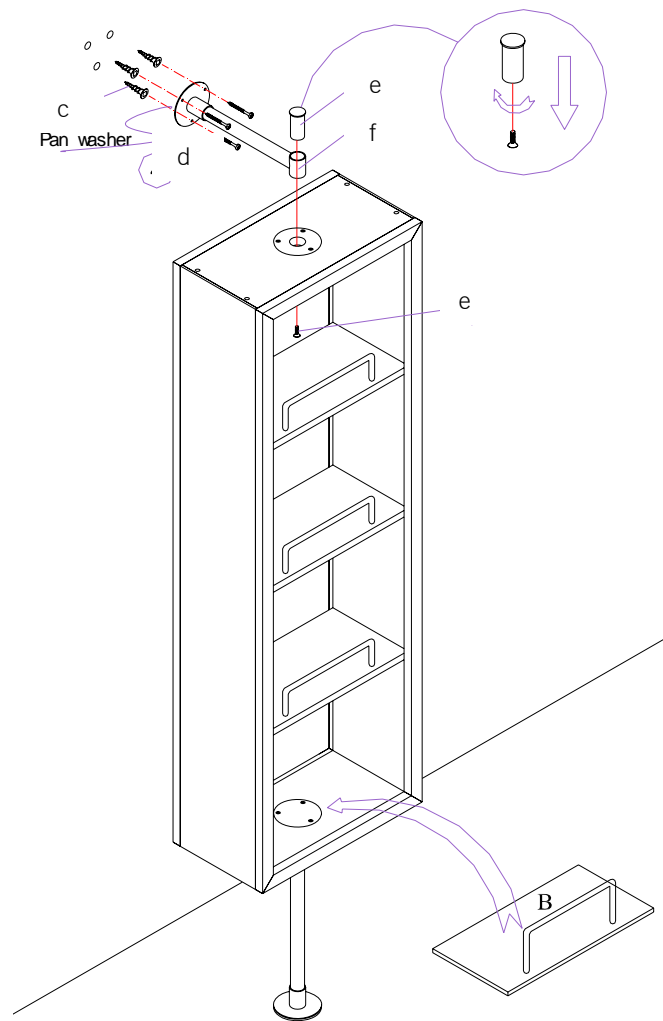


Figure 2

Step 3: Installation of the Upper Bracket onto the Cabinet and Securing Cabinet to Wall – Figure 3

- a. Remove the bolt from the large pin (e) and insert the pin through the opening in the upper bracket (f) and through the opening on the top panel of the cabinet. Do not yet re-insert bolt.
- b. Hold the pan washer of the upper bracket flush to the wall and mark the position of the holes onto the wall by using a pencil.
- c. Rotate the upper bracket in either direction in order to have access to the marked locations.
- d. Install the toggles (c) into the wall, and simply rotate them at the marked location with the Phillips screwdriver. **DO NOT HIT THEM WITH A HAMMER AND DO NOT USE A POWER DRILL TO ROTATE THEM.** These toggles are designed to bore themselves into the wall. Continue rotating until the toggle head flush with the wall surface.
- e. Rotate the upper bracket to its original position and align the holes with the toggles. Insert the toggle screws (d) and secure the upper bracket to the wall. Tighten screws with Phillips screwdriver until heads are flush with the pan washer.
- f. Re-insert bolt into large pin (e) from the bottom up as shown below.
- g. Install the cap board (b) so it rests securely on the bottom ledge of the cabinet.



Step 4: Ensuring Connections and Easy Movement of Cabinet

- a. Inspect that all toggle screws and bolts are tight. Both the floor and the wall connections must be secure.
- b. Ensure that the cabinet is properly aligned and turns easily. If movement is noisy or difficult re-adjust the connections.

Care Instructions

- Wipe cabinet with a soft, dry cloth.
- Avoid the use of all chemicals and household cleaners as they may damage the finish.