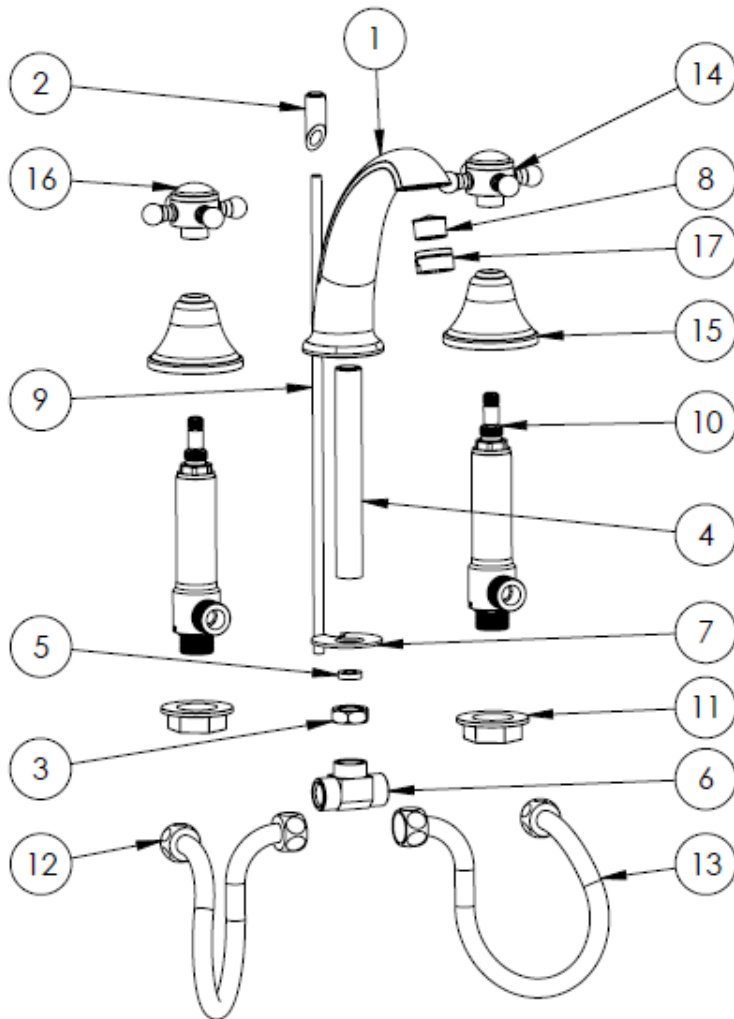


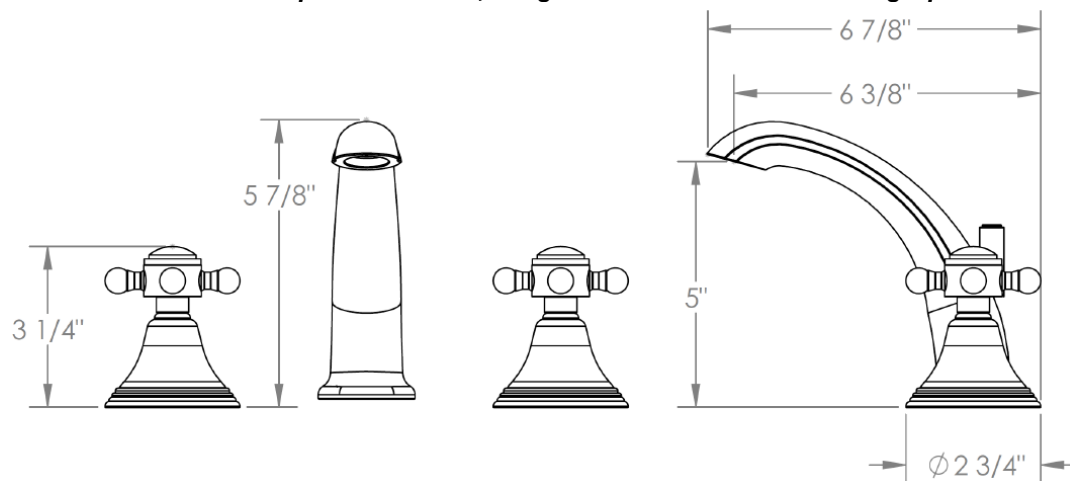
FEATURES

- ¼ turn washerless ceramic disc valve cartridges
- Flexible hose connection for 8” to 16” spread installations
- Flow rate 2.2 gpm (8.3 lpm) maximum flow rate
- Solid brass construction
- Warranty:
 - Limited lifetime warranty (residential use)
 - One year (commercial use)
- Standard finishes:
 - polished chrome
 - satin nickel
 - polished nickel
 - antique bronze
- Listed by IAPMO, CSA, NSF, and other municipalities
- Shipping weight (lbs.) 10
- Shipping dimensions (in.): 29x12x4



ITEM NO.	PART NUMBER	QTY.
1	313-2 SPOUT	1
2	313-2 Lift Knob	1
3	142 LOCK NUT	1
4	142 INNER NIPPLE	1
5	142 TEE GASKET	1
6	142 TEE	1
7	HORSE SHOE WASHER	1
8	NEOPERL PCA PL STD	1
9	501 LIFT ROD	1
10	SS-502-VALVE	2
11	502 PLASTIC LOCK NUT	2
12	502 FLEX HOSE LEFT	1
13	502 FLEX HOSE RIGHT	1
14	X-HNDL	2
15	A-ESC	2
16	X-PB-CAP	2
17	502-AERTR-SHLL	1

1. **Carefully remove all parts from the box.**
2. **Begin by first installing the Spout.**
 - a. Remove the "T" Assembly (6) from the Spout (1).
 - b. Drop the Spout through the hole in your countertop or sink.
 - c. Tighten the Lock Nut (3) against the underside of mounting surface .
 - d. Re-assemble "T" Assembly onto bottom of Spout.
3. **Identify your Hot and Cold Valves.**
 - a. Remove all trim from Valve Assembly (including Top Lock Nut [11] where applicable), leaving Bottom Lock Nut (11).
 - b. Begin to tighten the Valve to your countertop or sink with a Top Lock Nut (11) (Refer to Diagram) but do not tighten completely.
 - c. Install Escutcheon and Handle (16,15,14) on valve body (10). Be sure that bottom of handle properly clears top of the Escutcheon.
 - d. Once you have adjusted the Valve height, remove Handle and proceed to tighten Valve from the bottom until it is snug.
 - e. Install Handle on the Valve.
4. **Connect the two Flex Hoses (13) to "T" Assembly (6) and to the HOT (10H) and COLD (10C) valves respectively.**
These hoses can be bent or twisted, but be careful not to kink the hoses or you will have limited water supply and excessive noise from the faucet.
5. **Begin by bleeding the water lines before connecting to the valves. Connect water supplies to bottom of each valve.**
6. **Remove aerator (8,17) and flush faucet by running both Hot and Cold water in full open position. Replace the aerator.**
7. **Check for leaks. If leaks or problems occur, re-tighten all nuts before consulting a plumber.**



IMPORTANT INSTALLATION INFORMATION

- USE TEFLON TAPE OR PIPE SEALANT FOR THREADED CONNECTIONS
- DO NOT USE PLUMBER'S PUTTY ON ANY OF THE BRASS COMPONENTS
This will cause the finish to tarnish and void the warranty. A non-corrosive Silicone is recommended.
- DURING SWEATING OF LINES DO NOT OVERHEAT CASTING
Overheating may cause damage to internal mechanism
- COPPER ADAPTORS MAY BE REQUIRED TO COMPLETE YOUR INSTALLATION

For technical support, please call 1-888-779-5176