

P O T T E R Y B A R N

Jordyn Caged Metal Single Pendant

Assembly Instructions

CAUTION:

- **BEFORE INSTALLING FIXTURE, MAKE SURE THE POWER TO THE CIRCUIT IS TURNED OFF AT THE MAIN FUSE BOX /CIRCUIT BREAKER UTILITY BOX.**
- **Do not install into a ceiling that contains radiant heating.**

"IMPORTANT SAFETY INSTRUCTIONS".

- THIS PRODUCT MUST BE INSTALLED IN ACCORDANCE WITH THE APPLICABLE INSTALLATION CODE BY A PERSON FAMILIAR WITH THE CONSTRUCTION AND OPERATION OF THE PRODUCT AND THE HAZARDS INVOLVED.
- The lighting fixture is meant for indoor use. It must be connected only to 3-wire, single-phase electrical supply systems (provided with Ground wire or equivalent protection system).
- For your safety, it is strongly recommended that two people install the lighting fixture.
- These instructions are provided for your safety. It is very important that they are read carefully and completely before beginning the assembly and installation of this lighting fixture.
- The lighting fixture is meant for indoor use, DRY LOCATIONS ONLY.
- This fixture has been rated for up to one (1) **40-watt maximum TYPE A standard incandescent light bulb** (not included) or one (1) **9-watt compact fluorescent light bulb** (not included). To avoid the risk of fire, do not exceed the recommended wattage.
- **Save these instructions.**

WARNING:

- **To reduce the risk of fire, electrical shock or personal injury, always turn off light fixture and allow it to cool prior to replacing light bulb.**
- **Do not touch bulb when fixture is turned on. Do not look directly at lit bulb.**
- **Keep flammable materials away from lit bulb.**
- **This lighting fixture contains lead, a chemical known to the State of California to cause cancer, birth defects and other reproductive harm. Wash hands after installing, handling, cleaning or otherwise touching this light fixture.**

Pre-Assembly:

- Remove all parts and hardware from box along with any plastic protective packaging.
- Do not discard any contents until after assembly is complete, to avoid accidentally discarding small parts or hardware.

Parts Enclosed:

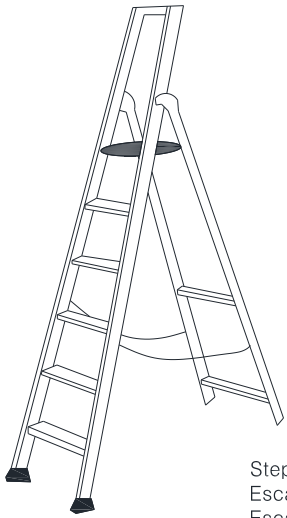
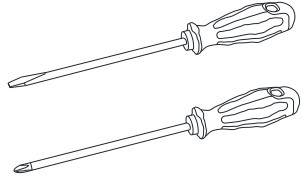
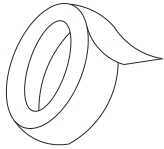
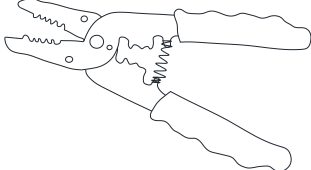
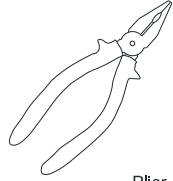
- (1) Cage (A)
- (1) Cord (B)
- (1) Canopy Ring (C)
- (1) Canopy (D)
- (1) Mounting Plate (E)

Hardware Include:

- (2) Mounting screws (F)
- (1) Ground screw (G)

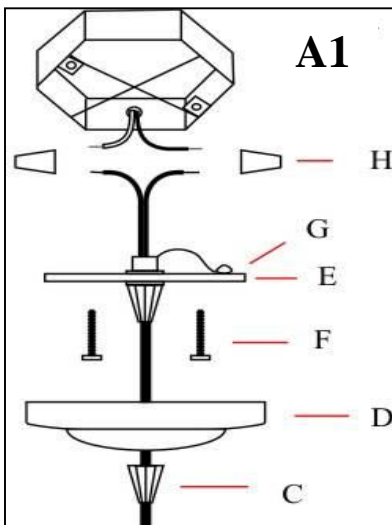
To install you will need:

- (2) Plastic wire connector(H)
- Wire cutter
- Screwdriver
- Electrical tape
- Wire Cutters
- Step Ladder

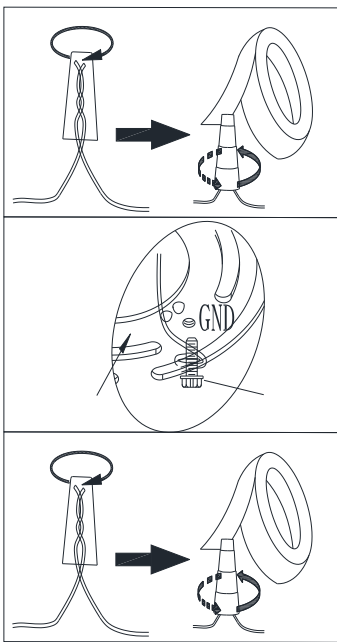
 <p>Step Ladder Escabeau Escalera</p>	 <p>Phillips Head, Flat Blade Screwdrivers Tournevis à tête Phillips et à tête plate Destornilladores Cabeza Phillips y Destornilladores Cabeza Plana</p>	 <p>Electrical tape Ruban isolant Cinta Electrica.</p>
 <p>Wire Cutter/Stripper Pince coupe-fil/ à dénudé Cortador de Cable</p>	 <p>Plier Pince Alicates</p>	

To Install:

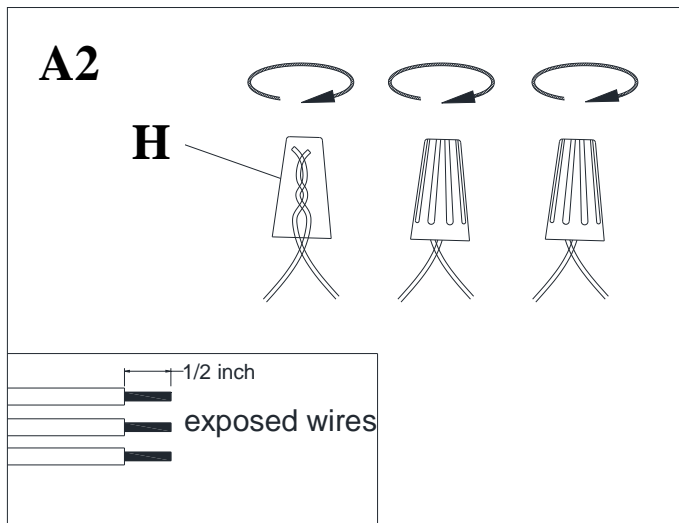
1. **SHUT OFF THE MAIN ELECTRICAL SUPPLY FROM THE FUSE BOX / CIRCUIT BREAKER.**
2. Unscrew the canopy ring (C) completely and slide it down over the cord. Slide the canopy (D) down over the cord.
3. Gently pull the wiring down from ceiling junction box and allow it to hang.



4. Carefully inspect pendant's fixture wires. The NEUTRAL FIXTURE has a white color insulation. The HOT FIXTURE WIRE has a black color insulation the GROUND WIRE has a green color insulation and is already connected to the ground screw (G) near the mark "GND" on the mounting plate.
5. Attach the GROUND WIRE from the fixture to the GROUND JUNCTION BOX WIRE from the ceiling outlet junction box (J-box) (usually green insulation or bare wire). Fasten each together with a Plastic Wire Connector (H) and wrap the connection with electrical tape. Be sure that no wire strands are exposed. If your outlet junction box DOES NOT have a GROUND WIRE, be sure to insert the Green Ground Screw (G) into the Mounting Plate (E) marked as "GND", facing downward and wrap the fixture's bare ground wire around the Green Ground Screw (G). **IT IS IMPERATIVE THAT THE JUNCTION BOX IN YOUR HOME BE PROPERLY GROUNDED!**

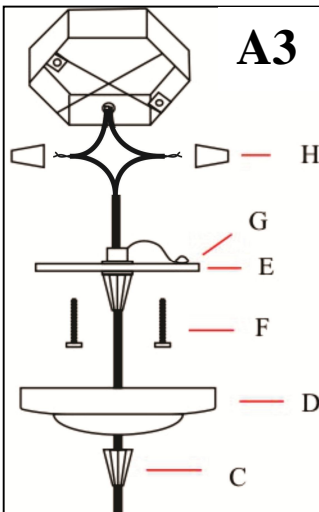


6. Connect the NEUTRAL FIXTURE WIRE to the NEUTRAL JUNCTION BOX WIRE (usually with white insulation covering). Fasten each together with a plastic wire connector (H) and wrap the connection with electrical tape. Be sure no strands are exposed.



Please read the section "To Make the Wire Connections" Below.

7. Connect the HOT FIXTURE WIRE to the HOT JUNCTION BOX WIRE (usually black). Fasten each together with a plastic wire connector (H) and wrap the connection with electrical tape. Be sure no wire strands are exposed. **DO NOT REVERSE THE HOT AND NEUTRAL CONNECTIONS OR SAFETY WILL BE COMPROMISED.**

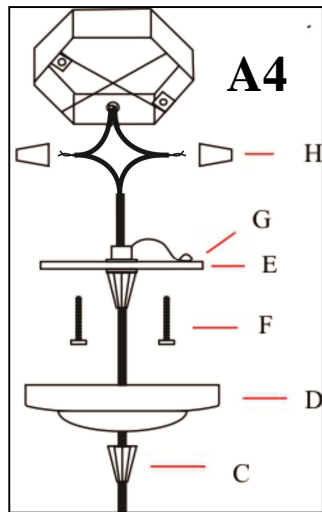


8. Gently tuck the wire connections neatly into the ceiling junction box.

9. Attach the mounting plate (E) to the ceiling with two mounting screws (F) using a screwdriver.

10. Raise the canopy (D) until it is flush with the ceiling.

11. Raise the canopy ring (C) and tighten it by hand until it holds the canopy in place. Important Make sure no extra weight is applied to the cord.



12. Open the screws to remove the metal wire cage then Insert one (1) **40-watt maximum TYPE A standard Incandescent light bulb** (not included) or one (1) **9-watt compact fluorescent light bulb** (not included) into the Socket. **DO NOT EXCEED THE SPECIFIED WATTAGE.** Fix the cage with the help of screws after inserting the bulb.

13. Restore power to the main electrical supply and test fixture.

14. Assembly is completed.

Care Instruction:

Wipe with a soft dry cloth. Do not use abrasives or household cleaners.

