

# POTTERY BARN

## london modular bath system: cubby with shelf

- Please read all instructions before beginning assembly. Save all packing materials until mounting is complete to avoid accidentally discarding smaller parts or hardware. Keep all parts and plastic bags out of the reach of children.
- For safety and ease of installation, assembly is recommended using two people.
- Maximum load limit for each cubby is 50 lbs.
- Maximum stacking limit is three cubbies high. See Picture 2 for proper stacking configuration.

### Hardware included:

(1) Mending Plate – 4pcs



(2) Bolt – 8pcs



(3) Shelf Pins – 4pcs



(4) Felt Pad – 4pcs



(5) Mounting Bracket – 2pcs



(6) Plastic Strap – 1pc



(7) Long wood screw – 1pc



(8) Anchor – 1pc

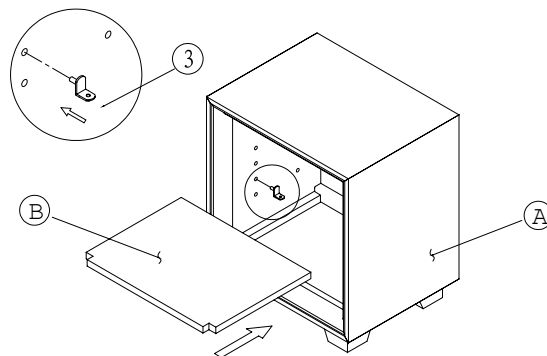


(9) Short wood screw – 1pc



### Parts included:

(1) Wooden shelf



### Shelf Installation:

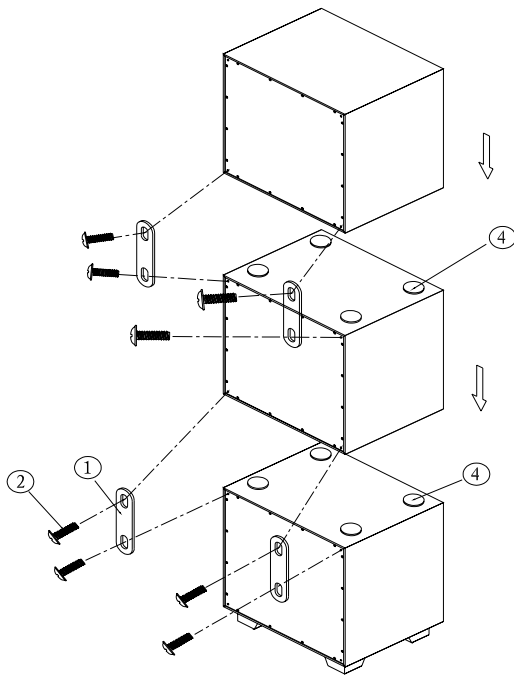
1. Insert shelf support pins into the corresponding holes at desired level. Make sure pin pairs are at same level.
2. Gently place shelf onto the support pins.

# POTTERY BARN

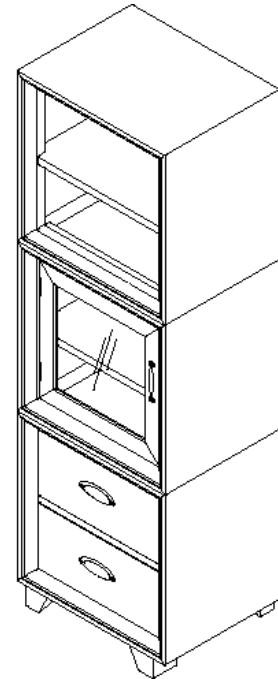
## london modular bath system: cubby with shelf

### Mending plate installation instruction:

1. Attach 4 felt pads (4) on the top of cubby for anti scratch purposes.
2. Stacking another cubby on the top.
3. Attach one mending plate (1) securely on the back of both cubbies by fastening bolt (2) to corresponding pre-drilled holes. And attach the second mending plate (1) on the opposite side to further secure the stacked pieces. See picture 1.
4. Attach 4 felt pads (4) on the top of the second cubby for anti scratch purpose.
5. Put another cubby on top of first the cubby.
6. Attach one mending plate (1) securely on top back of both cubbies by fastening bolt (2) to corresponding pre-drilled holes. And attach the second mending plate (1) on bottom back to further secure the two cubbies connected horizontally. See picture 2 for correct order of stacking cubbies.
7. Follow steps 5 and 6 to attach third cubby.



Picture 1



Picture 2

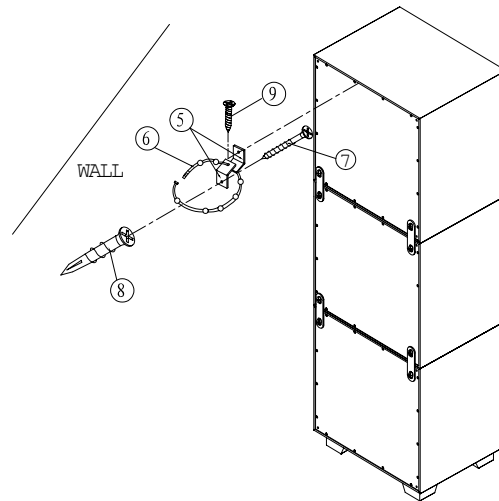
# P O T T E R Y B A R N

## london modular bath system: cubby with shelf

### FURNITURE TIPPING RESTRAINT

Young children may be injured by tipping furniture and the use of a tipping restraint is highly recommended. When properly installed, this restraint may provide protection against the unexpected tipping of furniture. We recommend mounting this restraint to a wall stud.

**WARNING:** This product is only a deterrent. It is not a substitute for proper adult supervision.



### Installation Instruction:

1. Attach one of the metal L shaped brackets (5) securely near the top back edge of the furniture piece by using the shorter screw (9).
2. Determine the final position of the furniture piece. Mark the location on the wall approximately 2" below the bracket mounted to the back of the furniture.
3. If the wall stud is directly behind the mark made in step 2 fasten the remaining metal bracket directly into the stud using the longer screw (7).
4. If a stud is not available, use a Philips screwdriver to insert the drywall anchor (8) on the mark made in step 2. Do not "push" or drive the anchor into the wall, it is designed to bore into the wall like a drill bit. Slowly turn the anchor clockwise while applying pressure until the flange just touches the wall. If using a power drill, use caution as the hardware can strip.
5. Attach the second bracket (5) to the wall by inserting the long screw (7) directly into the dry wall anchor, Turn screw until bracket is flush with the wall.
6. Move the piece of furniture into position so that the brackets are in alignment.
7. Thread the plastic strap (6) through both brackets as shown and tighten until snug.
8. Check to make sure that the brackets are firmly installed and the straps are secure.

### Care Instructions:

Wipe cabinet with a soft, dry cloth. Avoid cleaners and abrasives as they may damage finish. Use a small amount of glass cleaner and a soft cloth to clean glass.

*thank you for your purchase*

stores | catalog | [www.potterybarn.com](http://www.potterybarn.com)

SKU #7474877