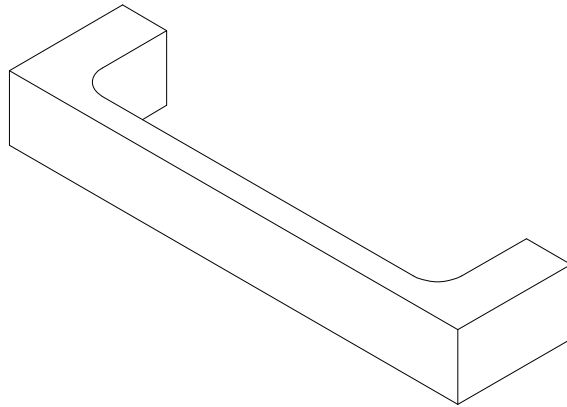


# POTTERYBARN

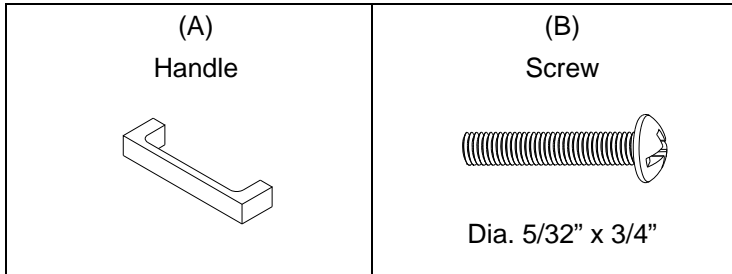


## MAXFIELD HANDLE

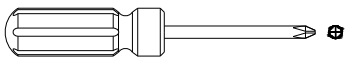
### Important Safety Instructions:

- Please read all instructions carefully before assembling.
- Keep instructions for future use.
- Use only vendor supplied hardware to assemble. Using unauthorized hardware could jeopardize the structural integrity of the item.

### Hardware Included:



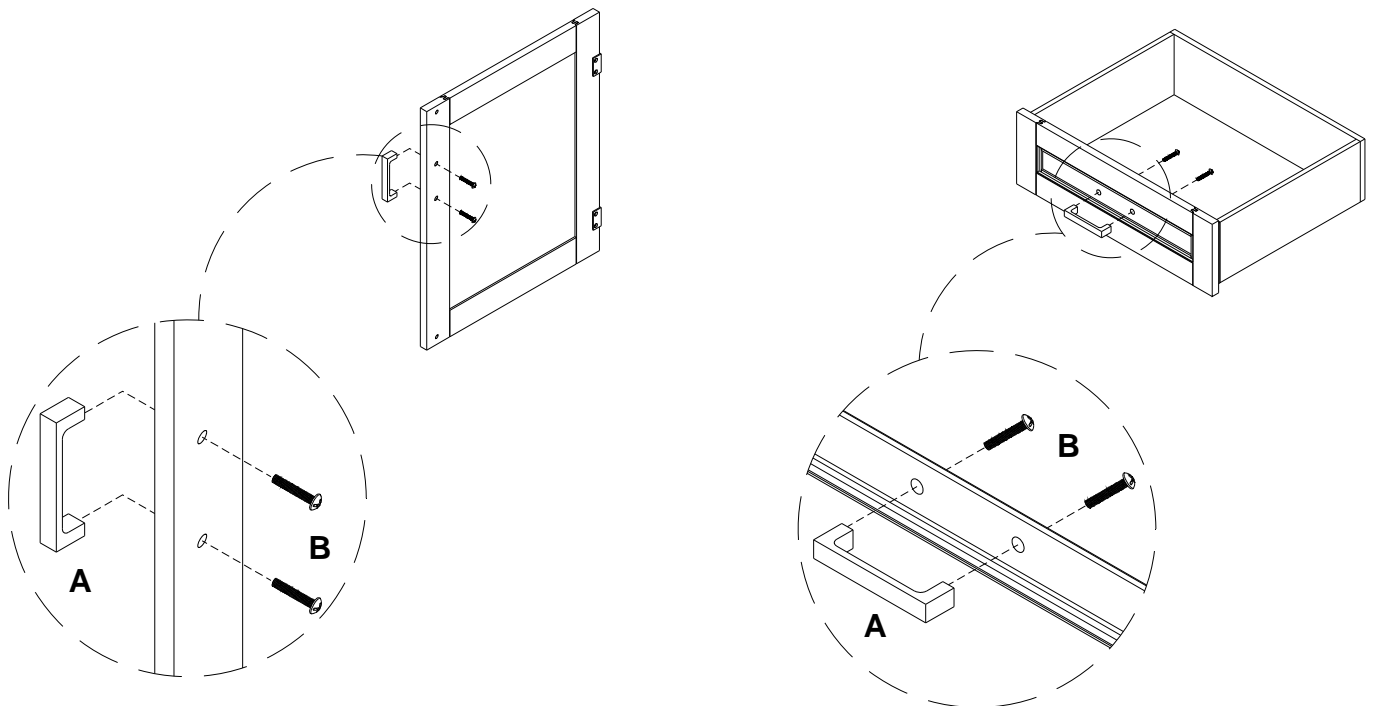
### Tools Required ( not included):



Phillip Head Screwdriver

### Assembly Instruction Steps:

Attach the handle (A) to door or drawer, insert the screws (B) as shown and tighten by Phillip Head Screwdriver.



### Care Instructions:

- Dust often using a clean, soft, dry and lint-free cloth.
- Blot spills immediately and wipe with a clean, damp, cloth.
- We do not recommend the use of chemical cleansers, abrasives or furniture polish on our lacquered finish.
- Hardware may loosen over time. Periodically check to make sure all connections are tight.  
Re-tighten if necessary.

Thank you for your purchase  
Stores | catalog