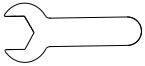


POTTERY BARN

Pharmacy Bath Cart White Assembly Instructions

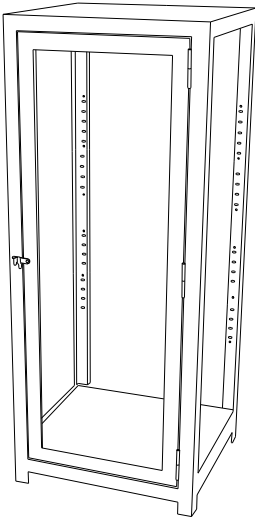
- Please read all instructions before beginning assembly.
- For your safety and convenience, assembly by two people is recommended.
- Use the parts and hardware lists to identify and separate each of the components included.
- Save all packing materials until assembly is complete to avoid the accidental discarding of smaller parts or hardware.

Tools Required:

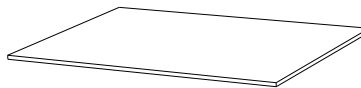


(1) Open Wrench

Parts Included:



(1) Cabinet - A



(2) Shelf - B

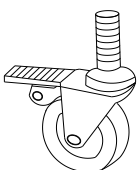
Hardware Included:



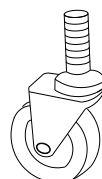
(4) Spring Washer - a



(8) Shelf Support – b



(2) Castor with Brake - c



(2) Castor - d

Assembly Instructions:

1. Assemble the cabinet on scratch-free surface such as a carpet or rug.
2. Carefully lay the cabinet (A) on its back, then attach each caster with brake (c) and caster (d) through the spring washer (a) to the bottom leg of cabinet as shown. Tighten by hand at first. Securely tighten the leg with caster (c & d) with open wrench. See **Figure 1**.

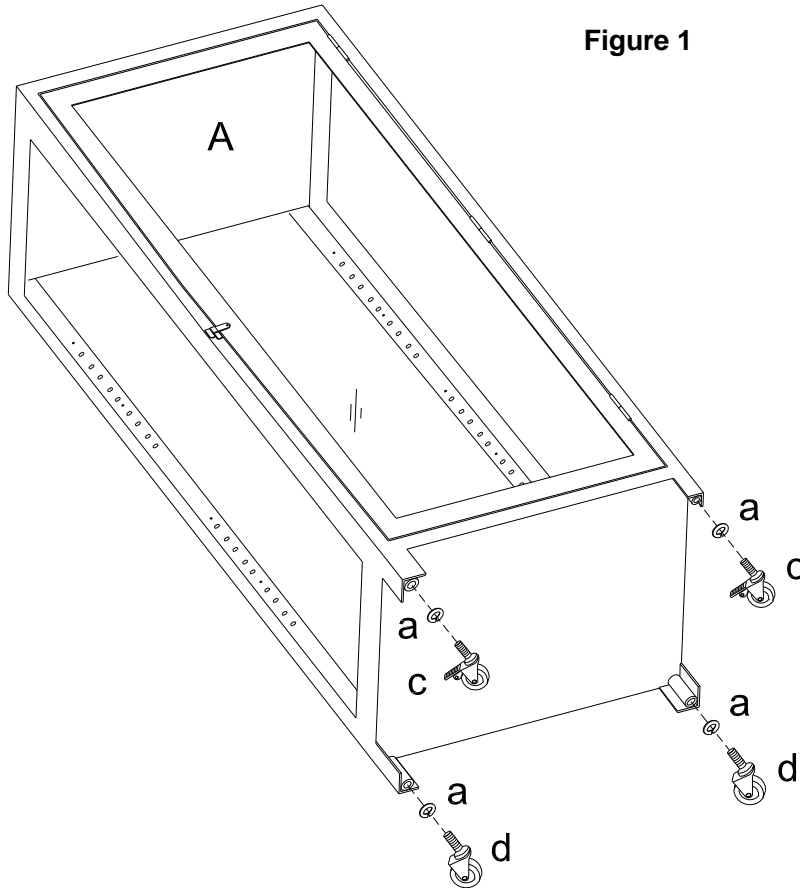


Figure 1

3. Turn the assembled case to an upright position. Insert the shelf supports (b) into the desired holes inside cabinet (A), then lay the shelf (B) on the shelf supports. See **Figure 2**.

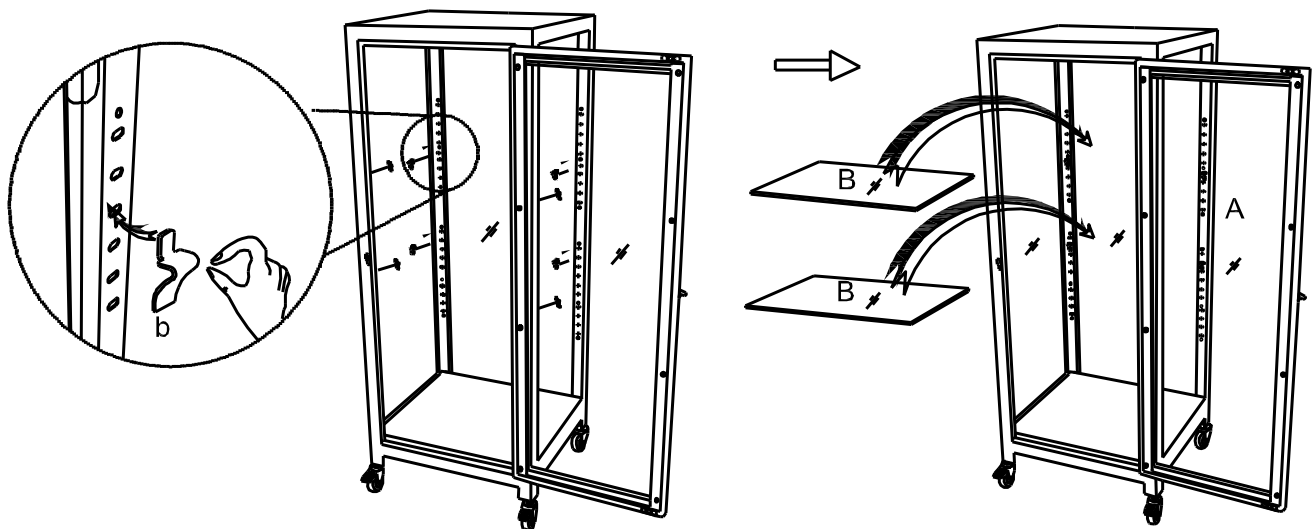


Figure 2

4. The assembly is now complete. See **Figure 3**.

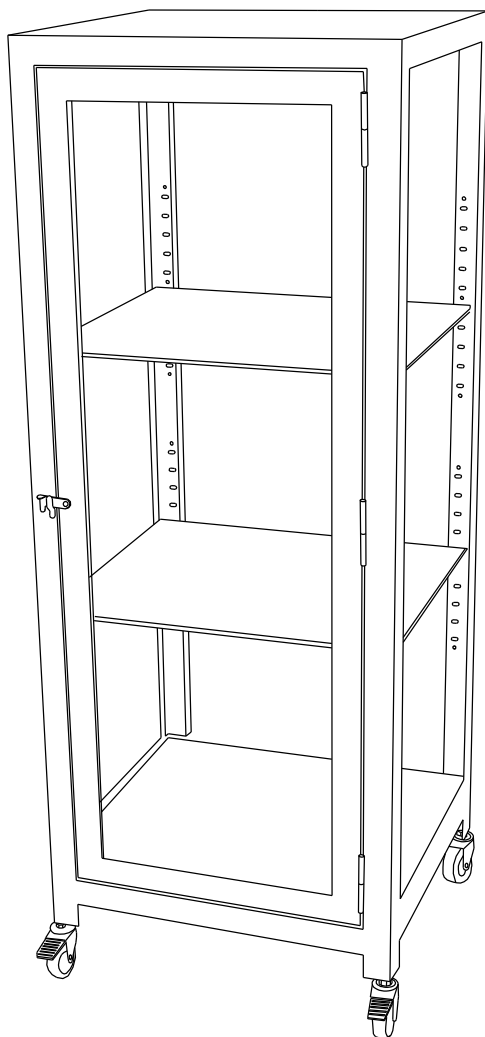


Figure 3

Care instructions:

- Dust with a clean, soft, damp cloth. Wipe dry immediately.
- Avoid the use of chemicals and harsh cleaning agents.

thank you for your purchase.
stores | catalog | www.potterybarn.com