

P O T T E R Y B A R N

PIEDMONT CEILING MOUNT

Important Safety Instructions:

- These instructions are provided for your safety. It is important that they are read carefully and completely before installing fixture.
- We strongly recommend that a professional electrician install all direct wire fixtures.
- This fixture has been rated for up to (2) 60-watt maximum bulbs (not included). To avoid the risk of fire, do not exceed the recommended wattage.
- Not intended for outdoor use.

Pre-assembly:

- Remove all parts and hardware from box along with any plastic protective packaging. Do not discard any contents until after assembly is complete to avoid accidentally discarding small parts or hardware.

Parts Included:

- (1) Light Fixture (A)
- (1) Mounting bar (B)
- (1) Glass Diffuser (C)
- (1) Finial (D)
- (1) Canopy (E)

Hardware included:

- (2) Fixture mounting screws (f)
- (2) Plastic wire connectors (g)
- (2) Mounting Bar Screws (h)
- (1) Mounting Post (i)

To install you will need:

- Electrical tape
- Screwdriver

To Install:

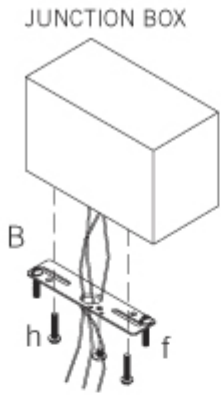
1. SHUT OFF THE MAIN ELECTRICAL SUPPLY FROM THE MAIN FUSE BOX/CIRCUIT BREAKER
2. Gently pull the wiring out from the outlet box in your home and allow wires to hang.
3. Place the mounting bar (B) flush with the outlet box. Position the mounting holes in the mounting plate with the corresponding holes in your outlet box. Secure mounting bar in place using the mounting screws (h). Tighten with a screwdriver.
4. Attach the outlet box GROUND WIRE (green or bare wire) to the bare copper GROUND WIRE of the fixture. Fasten with a plastic wire connector (g) and wrap with electrical tape. If your outlet box does not have a ground wire, wrap the fixture's bare ground wire around the ground screw (pre-attached to the mounting bar). IT IS IMPERATIVE THAT THE OUTLET BOX IS PROPERLY GROUNDED.
5. Carefully inspect the light fixture wires. One is white (neutral) the other is black (hot).
6. Connect the NEUTRAL WIRE from the fixture to the NEUTRAL WIRE in the outlet box (usually white). Fasten together with a plastic wire connector (g) and wrap the connection with electrical tape. Be sure that no wire strands are exposed.
7. Connect the HOT WIRE from the fixture to the HOT JUNCTION BOX WIRE in the outlet box (usually black). Fasten together with a plastic wire connector (g) and wrap the connection with electrical tape. Be sure that no wire strands are exposed. DO NOT REVERSE THE HOT AND NEUTRAL CONNECTIONS OR SAFETY WILL BE COMPROMISED.
8. Tuck the wire connections neatly into the outlet box.
9. Position the canopy (E) over the mounting bar (B) so that the fixture mounting screws (f) go through the keyholes in center of canopy. Make sure the screws are at the bottom of the keyhole (Fig. 2)
10. Using a screwdriver, secure fixture to mounting plate with mounting screws (f).
11. Screw mounting post (i) into connector at center of light fixture canopy.
12. Install bulbs (not included) and restore the power in the junction box.
13. To install the glass (C), position it over the mounting post and secure with the decorative finial (D).
14. Installation is complete.

Care Instructions:

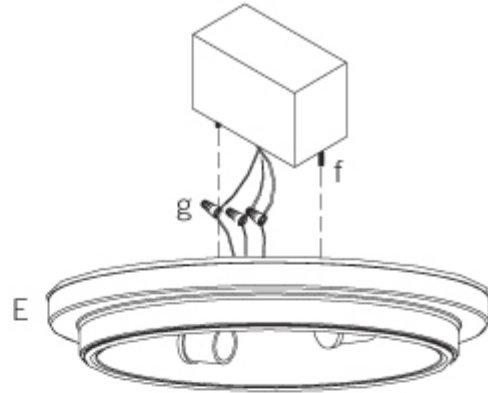
- Wipe with soft dry cloth only.
- Always avoid the use of harsh chemicals or abrasives.

thank you for your purchase
stores | catalog | www.potterybarn.com

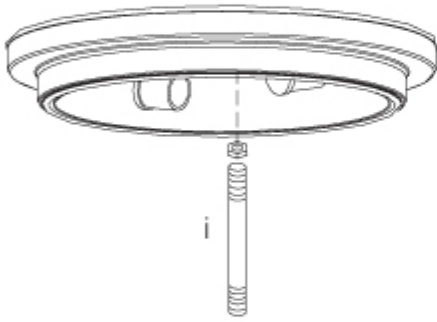
2,3



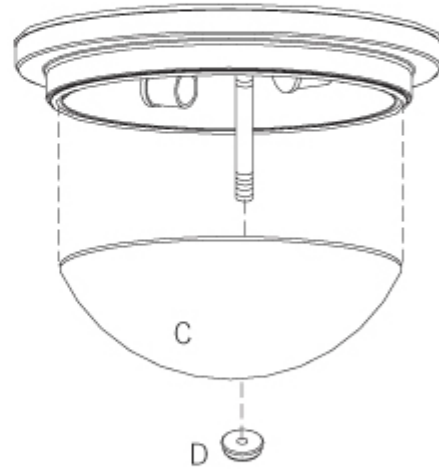
4,5,6,7,8,9,10



11



12,13



14

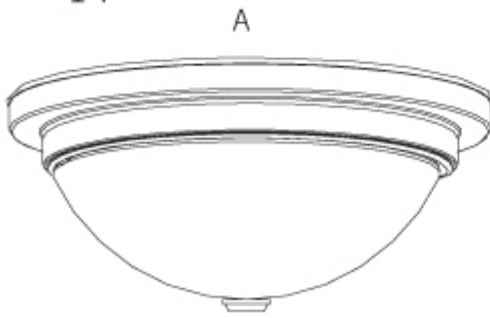


Fig. 2

Keyhole

