

P O T T E R Y B A R N

Riley Camel Back Headboard

Pre-Assembly:

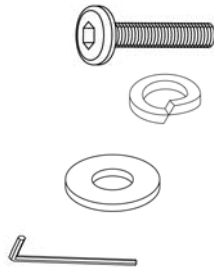
- Please read all instructions carefully before assembling.
- For your safety, assembly by two people is recommended.
- Save all packing materials until fully assembled to avoid accidentally discarding any hardware.

Parts Enclosed:

- (1) Headboard with 3 pre-drilled holes in each side. **(A)**

Hardware Enclosed:

- (6) M8x25mm Allen bolt **(B)**
- (6) M8 Spring Washer **(C)**
- (6) M8 Flat Washer **(D)**
- (1) M4 Allen key **(E)**



Required for Assembly:

- (1) Pre-assembled bed frame (not included) **(F)**

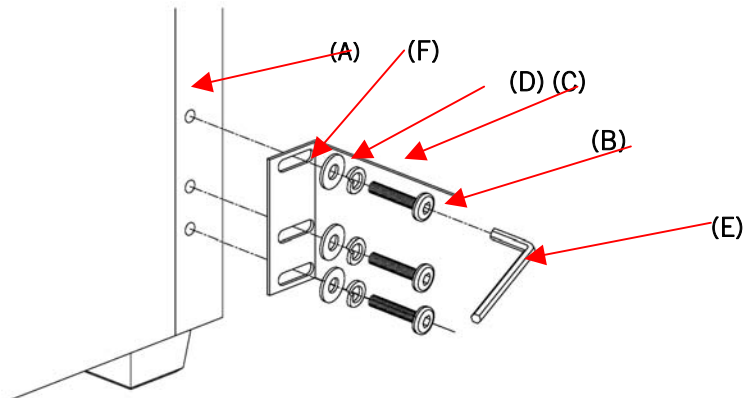


Fig 1.

Assembly Instructions:

1. Align the holes of the bed frame faceplates **(F)** with the holes found in the sides of the headboard **(A)**. (Fig 1)
2. Insert the bolts **(B)** through the spring washers **(C)**, flat washers **(D)**, the slots of the bed frame's faceplates **(F)** and into the pre-drilled holes in the sides of headboard **(A)**. Tighten with Allen key **(E)**.
3. Assembly is complete. Periodically tighten all connections.

Care Instructions:

- Vacuum regularly.
- Over the counter cleaning products are not recommended.
- Avoid exposure from sun, direct light and heat sources.
- Spot clean only.