

POTTERY BARN

Savannah Daybed Assembly Instructions

- Please read all instructions before assembly.
- For your safety, assembly by two people is recommended.
- Save all packing materials until assembly is complete to avoid the accidental discarding of smaller parts or hardware.

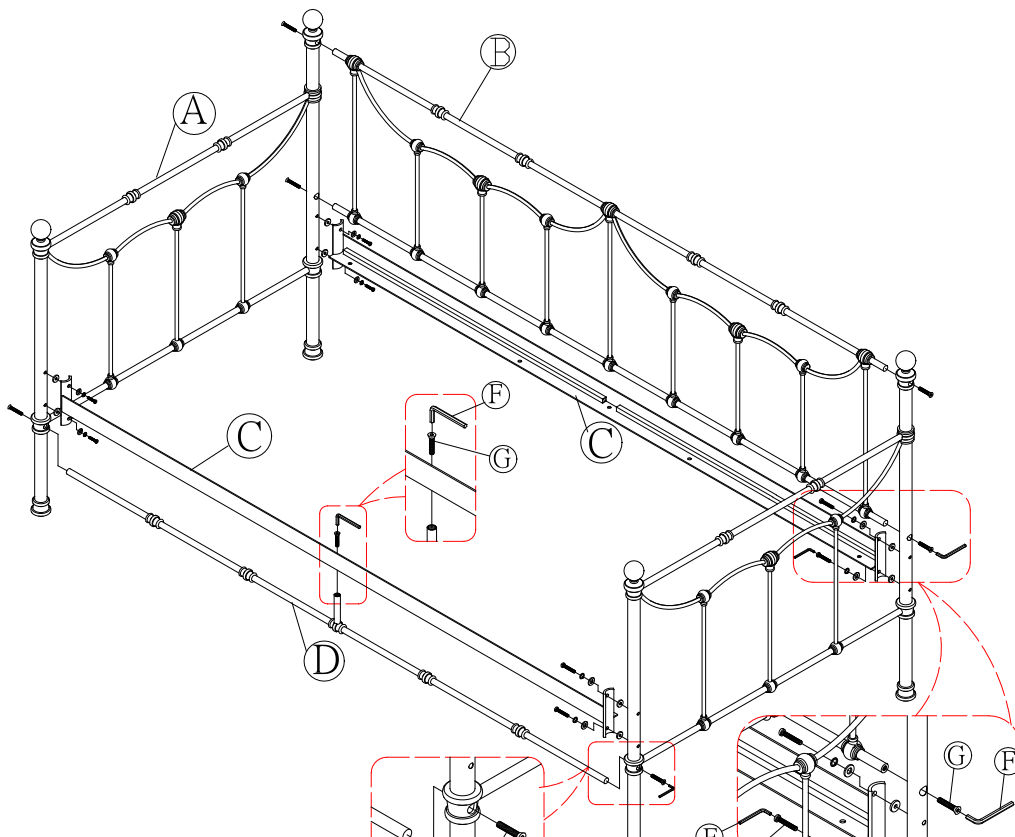
Parts Included:

- (2) Side panels - A (Box 1)
- (1) Back panel - B (Box 1)
- (2) Rails - C (Box 1)
- (1) Front bottom rod - D (Box 1)
- (1) Wood slat roll - E (Box 2)
- (1) Trundle (Separate box) OPTIONAL

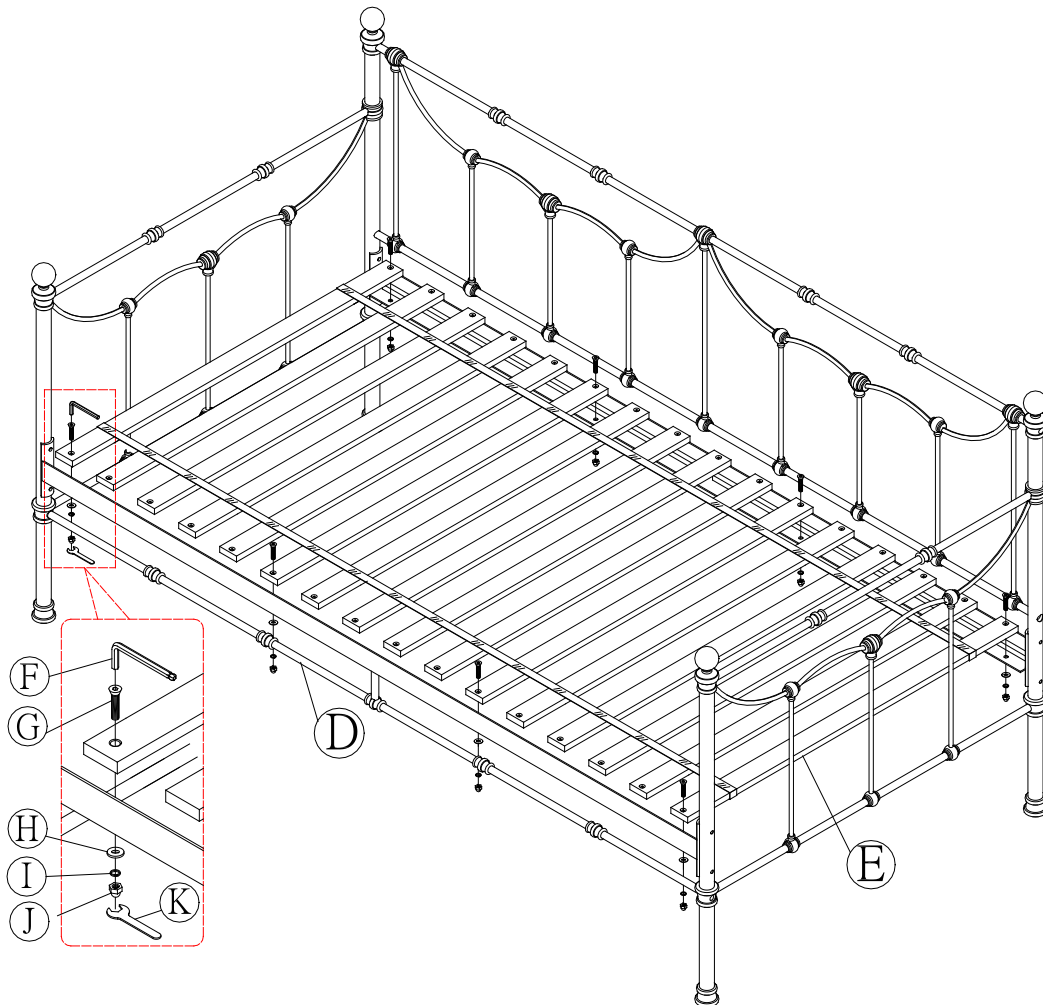
Hardware Included (Box 1):

- (1) Allen key: diam 4mm - F
- (13) Medium bolt diam 6mm x 31mm - G
- (16) Flat washers: diam 6mm - H
- (16) Lock washers: diam 6mm - I
- (8) Nuts: diam 6mm - J
- (1) Wrench - K
- (8) Rubber washers: diam 24 x 4mm - L

1. Align the rods of the back panel (B) to the holes on the back posts of the side panels (A). Attach using the medium bolts (G) and loosely tighten with the Allen key (F).
2. Align the front bottom rod (D) to the lower holes on the front posts of the side panels. Attach using the long bolts (N) and loosely tighten with the Allen key.
3. Assemble the rails (C) to the posts by using the rubber washers (L), flat washers (H), lock washers (I) and short bolts (M). Tighten with the Allen key. Use the medium bolt to secure the front bottom rod to the front rail and tighten with the Allen



- Place the wood slat roll (E) on the assembled frame. Align the holes in the wood slats with the holes in the rails. Secure using the flat washers, the lock washers and medium bolts. Tighten the bolts, the washers and the nuts (J) with the Allen key and the enclosed Wrench (K).



Optional Trundle Operating Instructions:

- Always use caution when operating trundle.
- Do not operate trundle without the use of a trundle mattress.
- Place trundle mattress (minimum weight: 20lbs/maximum weight: 45lbs) on top of trundle.
- Remove wire ties. Use caution since trundle may be in unlocked position and automatically pop-up when wires are removed.
- To raise or lower unit: Be sure trundle is freestanding and not positioned under daybed or any other surface.
- Carefully push up on bar to raise and push trundle down to lower.

Care Instruction: Dust with a soft dry or slightly damp cloth. Avoid the use of cleaners and polishes.