

P O T T E R Y B A R N

Swivel Tube Sconce

Important Safety Instructions:

- These instructions are provided for your safety. It is very Important that they are read carefully and completely before assembling fixture.
- We strongly recommend that a professional electrician install all direct wired fixtures.
- This fixture has been rated for up to (1) 60-watt maximum TYPE T tubal bulb (not included). To avoid the risk of fire, do not exceed the recommended wattage.

WARNING: This lighting fixture contains lead, a chemical known to the State of California to cause cancer, birth defects, and other reproductive harm. Wash hands after installing, handling, cleaning, or otherwise touching this light fixture.

Parts Included:

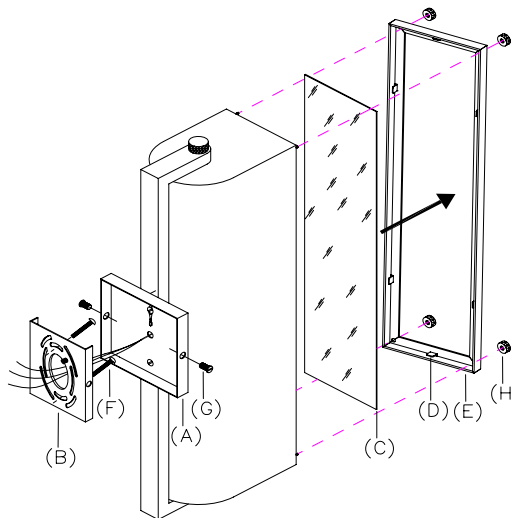
- Lighting fixture including:
 - (1) Light base (A)
 - (1) Mounting plate (B)
 - (1) Glass panel(C)
 - (1) Metal tab (D)
 - (1) Face Frame (E)

To Install You Will Need:

- Phillips screwdriver/ Flat screwdriver
- (3) Plastic wire connectors (Enclosed)
- Electrical tape

Hardware included:

- (2) Mounting plate screws (F)
- (2) Base screws (G)
- (4) Thumbscrews (H)



Pre-assembly:

- Remove all parts and hardware from box along with plastic protective packaging. Lay items out on a clear work surface.
- Do not discard any contents until assembly is complete to avoid accidentally discarding small parts or hardware.

Installation Instructions:

1. SHUT OFF THE MAIN ELECTRICAL SUPPLY FROM THE MAIN FUSE BOX/CIRCUIT BREAKER!
2. Remove the mounting plate (B) from the fixture base (A) by unscrewing the base screws (G).
3. Gently pull the wiring from the wall outlet box and allow the wires to hang. Thread the wires through the center hole in the mounting plate.
4. Affix the mounting plate (B) to the wall outlet box with the mounting plate screws provided (F).
5. Wrap the ground wire (green) around the ground screw found on the mounting plate or connect it to the ground wire found in the wall outlet box (usually green or copper in color). If attaching to ground wire in outlet box, fasten together with a plastic wire connector and tightly wrap the connection with electrical tape to seal the connector.
6. IT IS IMPERATIVE THAT THE OUTLET BOX IN YOUR HOME BE PROPERLY GROUNDED.
7. Connect the neutral fixture wire (white) to the neutral outlet wire (usually white). Fasten together with a plastic wire connector and tightly wrap the wire connector with electrical tape.
8. Repeat this procedure with the hot (black) wires. Always make sure that no wire strands are left outside the connectors. DO NOT REVERSE THE HOT AND NEUTRAL CONNECTIONS OR SAFETY WILL BE COMPROMISED.
9. Attach the fixture base (A) to the affixed mounting plate (B) by aligning the holes and inserting the base screws (G). Tighten with a screwdriver.
10. Remove the face frame (E) from the fixture base (A) by removing the thumbscrews (H).
11. To attach the glass panel (C) to frame (E), make sure metal tabs (D) are flipped against the opening of the frame. Place the glass panel to frame. Secure by bending back the metal tabs.
12. Insert bulb (not included).
13. Attach face frame (E) with glass panel attached to the fixture base (A) by aligning the holes on each part. Secure with thumbscrews (H). Restore power and test fixture. Installation is complete.

Care Instructions: Wipe with soft, dry or slightly damp cloth. Avoid the use of harsh chemicals and abrasives as they may damage finish.

thank you for your purchase
stores | catalog | www.potterybarn.com